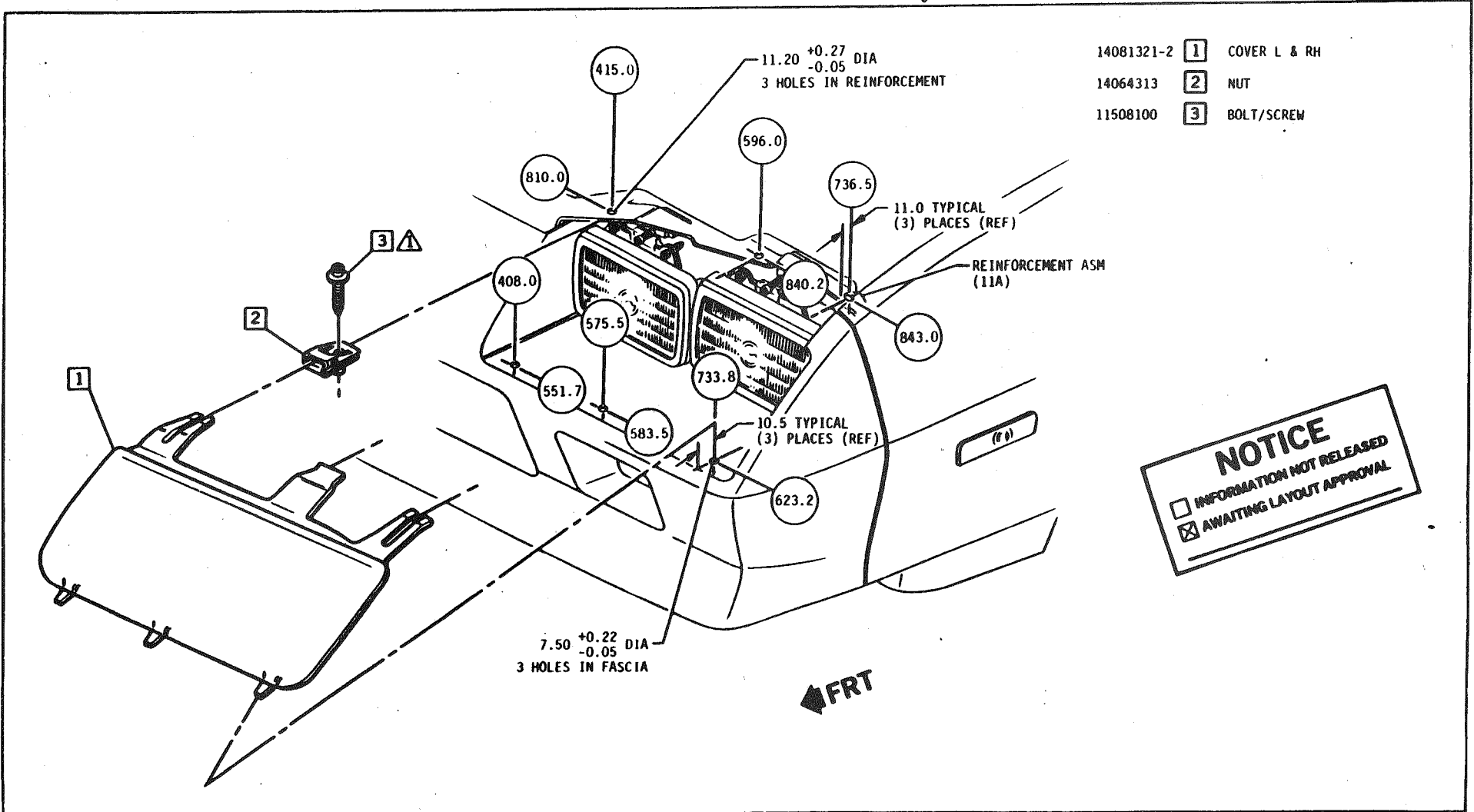




□ ITEM REFERENCE ◊ PROCESS MATERIAL ▲ TORQUE ▣ EXISTING AS PART OF



DYNAMIC (Method) N-m	HAND (Insp.) N-m	DATE	SYM	REVISION	AUTH	DR	CK	ASM	APP	DATE	DIV	TITLE
	1.2 - 1.6	25 Oct 84	1	REDRAWN & REDESIGNED	36660	TE	AM	C		20 SE 84	CHEVROLET	1986 F PASSENGER 14089402
										DR J. D'ANGELO/TE		HEADLAMP COVER
										CK R KOCH R		FA00 82K3
										APPR (NS)		
										APPR		
										APPR		
										APPR		
										REF ECA 41600		1L-26776 (S)
										L/O 195CH4		1L-30738 (S)
												1L-33075 (NS)
												UPC 12C
												SHEET C8

▲ FULLY DRIVEN, SEATED & NOT STRIPPED

B C X K O P