



High Beam

Low Beam

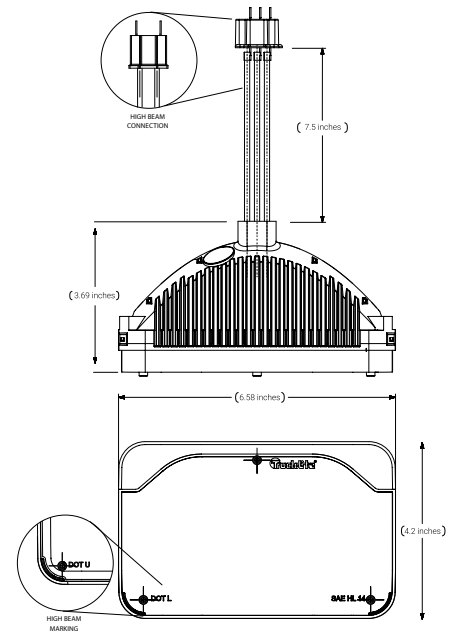
4 x 6 LED Headlights

Complex Reflector Optics Design

FEATURES & BENEFITS

- Best-in-class beam pattern
- Excellent option for light, medium and heavy-duty trucks, off-road and agricultural vehicles, classic cars, and more
- Metalized reflector optics provide a lighting experience that's smooth and clean across the driving surface
- When properly mounted, exceeds FMVSS-108 and CMVSS-108 DOT requirements for low beam and high beam performance
- Provides a brighter, crisper and whiter light output that is closer to the color temperature of daylight
- Dramatically improves light projection distance and overall visibility
- Durability of LEDs provide a solid-state, bulb-free headlight design that's impervious to damage from shock and vibration
- Durable housing and non-yellowing, hard-coated polycarbonate lens offer optimum protection against damage from impact, roadside debris and other hazards
- Advanced circuitry protects against voltage spikes
- Low beam is a drop-in replacement for 2A1, 4652, H4652, H4656, H4662, H4739, and H5062 headlight designs.
- High beam is a drop-in replacement for 1A1, 4651, H4651 and H5051 headlight designs.
- Uses standard, H4, 3-blade wiring connector
- Equipped with Truck-Lite's 3-Year Limited Warranty
- Up to 50x longer life than halogen technology

Caution: Truck-Lite LED Headlights are designed to work as a system. If you select alternative installations, a careful review should take place.



TECHNICAL SPECIFICATIONS

Material:

- Hard-coated polycarbonate lens
- eCoat aluminum and polycarbonate housing and internal structures
- Metalized reflector
- 16 gauge wire

Light Source:

- 1 LED Array
- 9 V-33 V Multi-volt design works with both 12 V and 24 V systems
- Designed:
 - 12.8 V, 1.5 A (low beam), 1.2 A (high beam)
 - 28 V, 0.8 A (low beam), 0.7 A (high beam)

Additional Specifications:

- Operating temperature range: -40°C to 70°C
- Overvoltage protection with constant output
- Mechanical aim

Mounting:

- Drop-in replacement for 1A1 and 2A1 designs

PART NUMBERS

Part No.	Description	Mounting	Ctn. Qty.
27640C	4 x 6 Low Beam LED Headlight	2A1	1
27645C	4 x 6 High Beam LED Headlight	1A1	1

