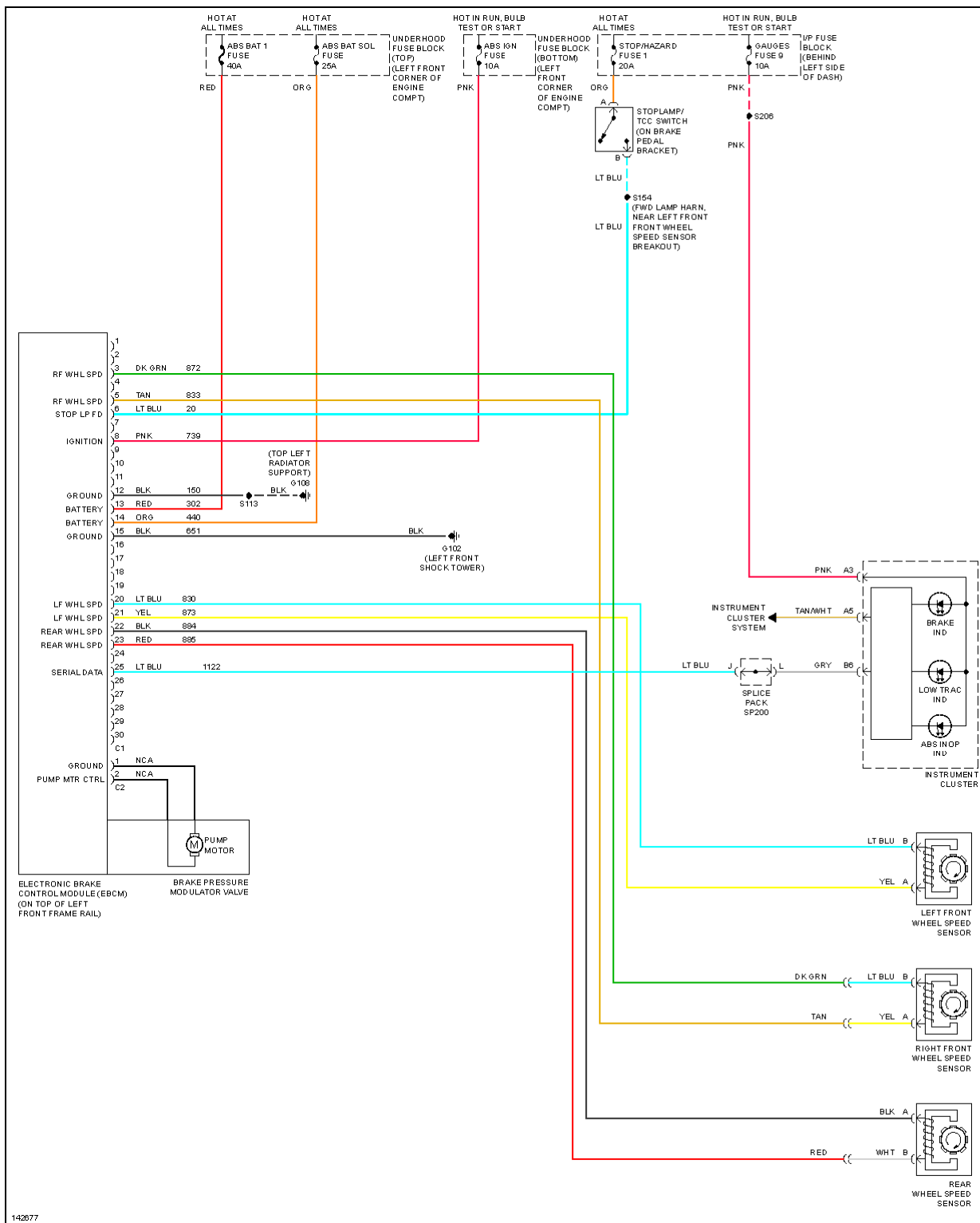


2001 Pontiac Firebird Trans Am

SYSTEM WIRING DIAGRAMS

Fig. 8: 5.7L VIN G, Anti-lock Brake Circuits, W/O Traction Control



142877