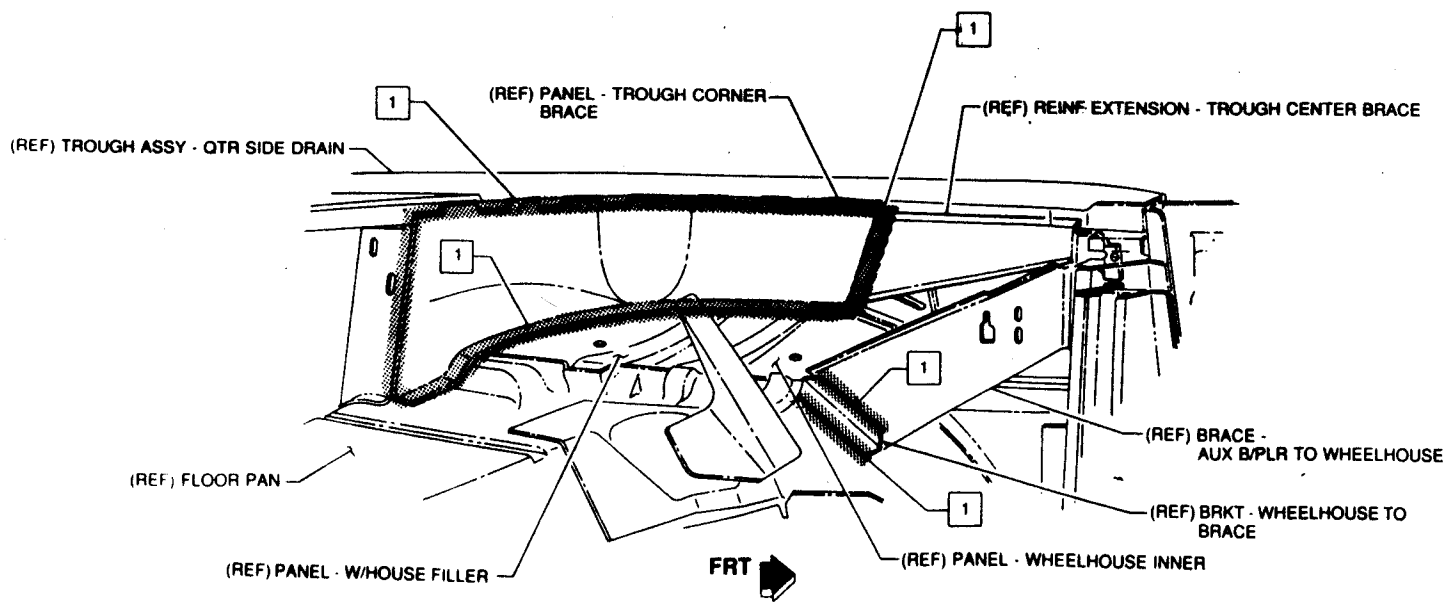
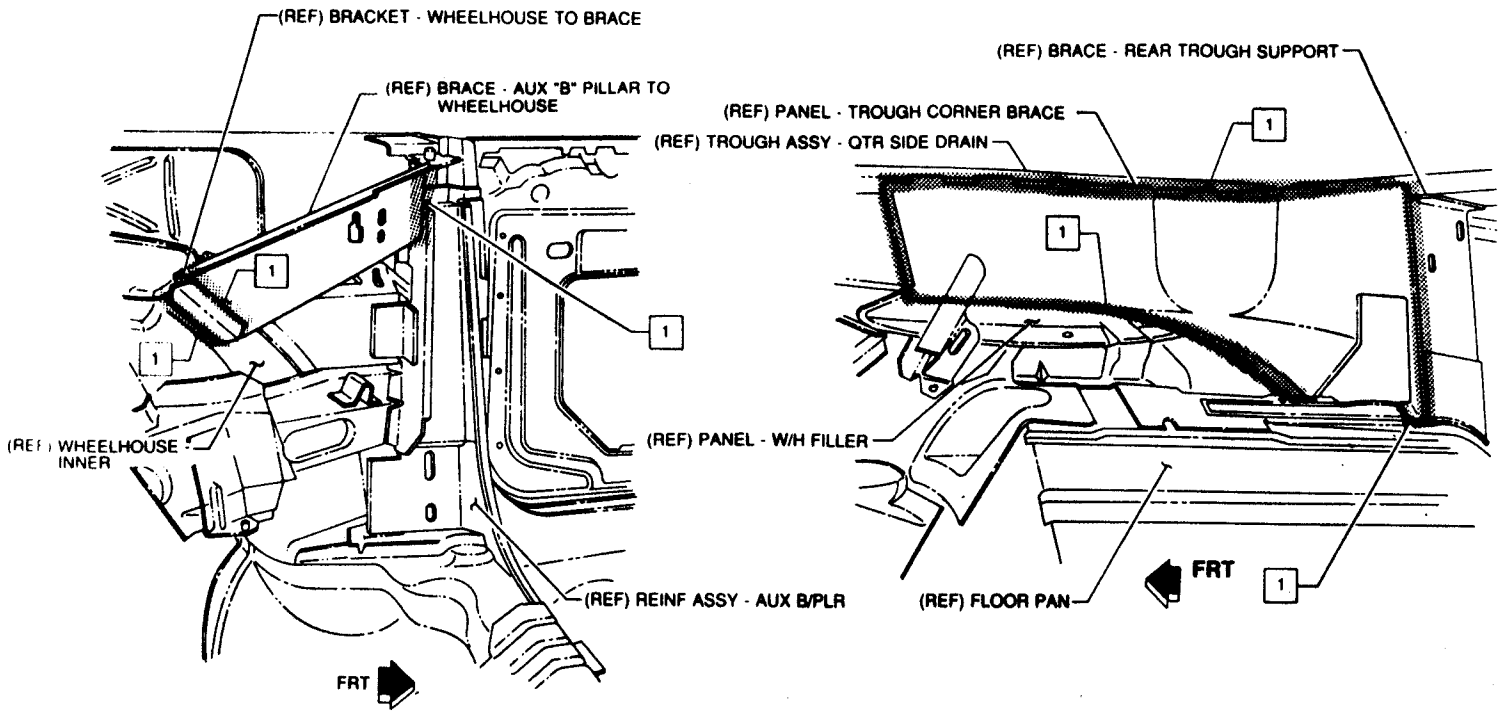


| Ref | ASC Part No | Description | GM |
|-----|------------------|-------------------|--------|
| 1 | X-0080-0184-AXXX | SEALER - BRUSH ON | 081111 |

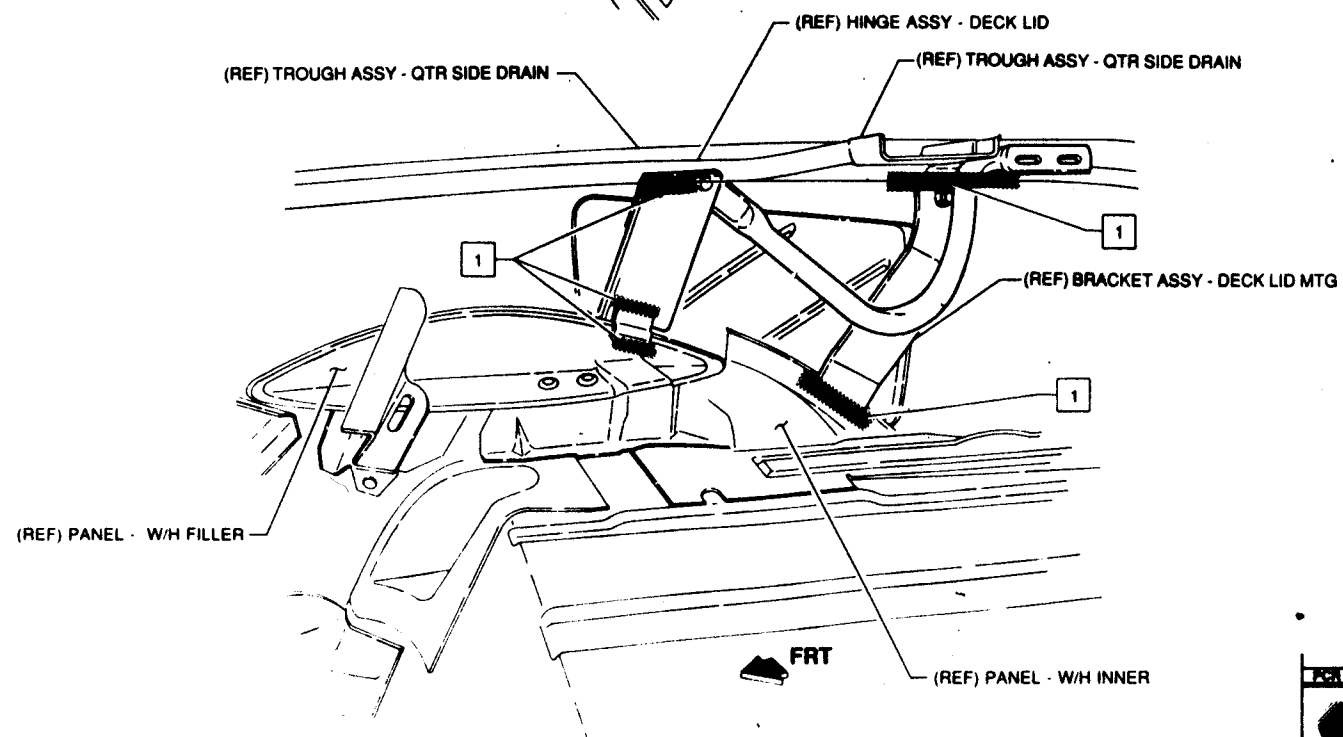
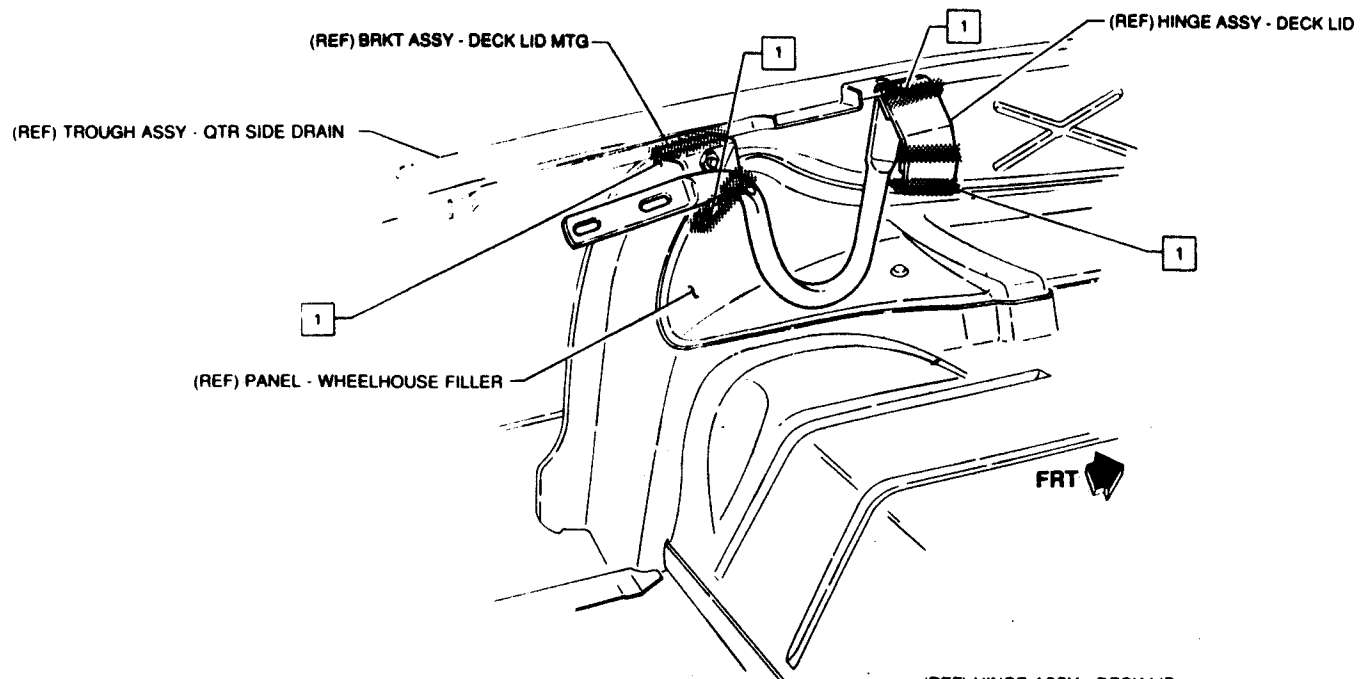


DRAWING RELEASED
 1-25-01
 1991.5 "F" BODY CONVERTIBLE
 SEALING - TROUGH CORNER AND
 AUXILIARY "B" PILLAR BRACE
 A-27X0-0960-AXXX SHEET 2E

asc
 ASC Incorporated
 Graphics Department
 Engineering Center
 Southfield, Michigan 48116

DESIGNED BY
 M. DEBLAU
 DRAWN BY
 T. MOORHEAD
 CHECKED BY
 C. WISER

| Ref ASC Part No | Description | GM |
|--------------------------|------------------|--------|
| 1 X - 0960 - 0104 - AXXX | SEALER - BUSH ON | 081111 |



DRAWING RELEASED

| | | | | |
|-----|---------|----|-----|-----|
| REV | DATE | BY | CHK | APP |
| 1 | 1-28-01 | 08 | | |


asc. ASC Incorporated
 Congress Department
 Engineering Center
 Southgate, Michigan 48106

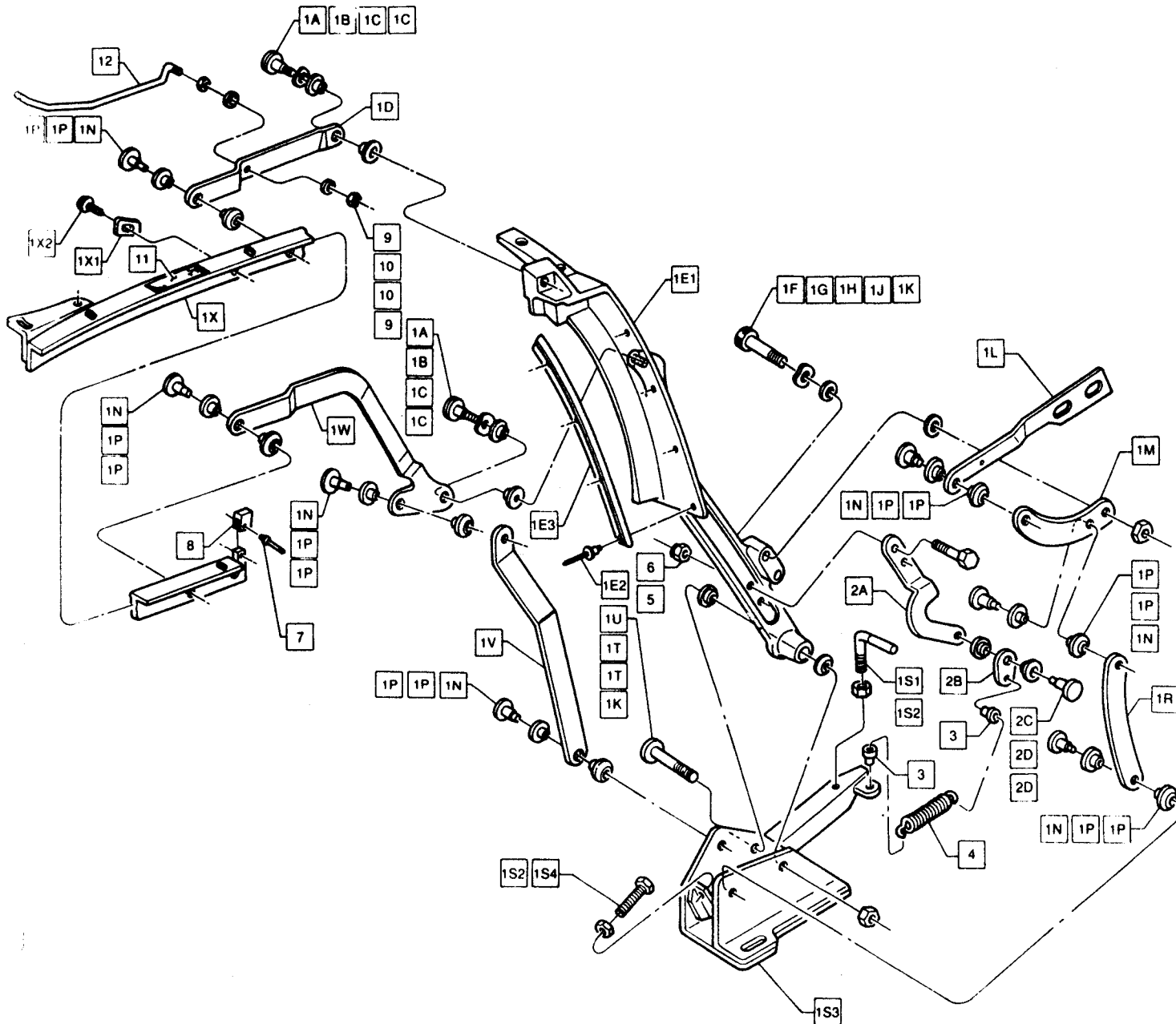
1-28-01
 H. BIRDLAY
 D. HOFFMANN
 G. WOOD
 G. BIRDMAN

1991.5 "F" BODY CONVERTIBLE
 SEALING - DECK LID HINGE AND MOUNTING BRACKET

A-27X0-4960-AXXX SHEET 3G

| SHEET | TITLE |
|-------|---|
| 4 | CONTENTS - TOP STACK |
| 4A | RAIL ASSEMBLY - SIDE, REAR, AND PIVOT BRACKET |
| 4B | BOW ASSEMBLIES 1, 2, 3 - LATCHES AND SEALS |
| 4C | BOW ASSEMBLIES 4 AND 5 AND NUMBER 5 BOW SEAL |
| 4D | COVER ASSEMBLY - TOP |
| 4E | HEADLINER ASSEMBLY |

| | | | | | |
|---|-----|-----------|------|--------------|----|
| DRAWING RELEASED | | 1-28-01 | CW | CKC | |
| PCR | LET | REVISIONS | DATE | DR | CK |
|  | | | | 1-28-01 | |
| 1991.5 "F" BODY CONVERTIBLE CONTENTS - TOP STACK | | | | J. MICHAMARA | |
| A-27X0-4960-AXXX SHEET 4 | | | | C. WEBER | |
| | | | | 4 8/28/00 | |



| Ref | ASC Part No | Description | GM |
|-----|------------------------|--------------------------------------|----------|
| 1 | A - 27X0 - 3111 | TOP STACK ASSY - LESS TRM | |
| | A - 27X0 - 1974 | RAIL ASSY - SIDE COMPLETE (RH) | |
| | A - 27X0 - 1975 | (LH) | |
| A | X - 0050 - 1409 - XVLX | BOLT (M6 x 1.0 x 21.5) | 10048834 |
| B | X - 0050 - 2020 - XZZX | WASHER | |
| C | X - 0050 - 1415 - XXXX | BUSHING | 14100330 |
| D | W - 27X0 - 2016 | CENTER LINK - SIDE RAIL (RH) | |
| | W - 27X0 - 2017 | (LH) | |
| E | W - 27X0 - 3032 | RAIL ASSY - REAR (RH) | 12506002 |
| | W - 27X0 - 3033 | (LH) | 12505003 |
| E1 | W - 27X0 - 3236 | REAR RAIL (RH) | |
| | W - 27X0 - 3237 | (LH) | |
| E2 | X - 0050 - 0180 - XXXX | RIVET (1.8 x 375) | |
| E3 | W - 27X0 - 3798 | EXTENSION - REAR RAIL (RH) | |
| | W - 27X0 - 3799 | (LH) | |
| F | X - 0050 - 2084 - XWTX | SCREW (5/16 - 18 x 1.0) | 12384678 |
| G | X - 0050 - 1078 - XXXX | WASHER | |
| H | X - 0050 - 1215 - XZTX | WASHER | |
| J | X - 0050 - 1141 - XXXX | WASHER | |
| K | X - 0050 - 0496 - XWTX | NUT | 12506362 |
| L | W - 27X0 - 7540 | SLAT - BOW NO 5 (RH) | |
| | W - 27X0 - 7541 | (LH) | |
| M | W - 27X0 - 1794 | LINK - PIVOT BOW NO 5 | |
| N | X - 0050 - 0502 - XWTX | RIVET (248 x .175) | |
| P | X - 0050 - 0508 - XXXX | BUSHING | |
| R | W - 27X0 - 1784 | LINK - CONTROL BOW NO 5 | |
| S | A - 27X0 - 7376 | BRKT - CONTROL MAIN PIVOT COMPL (RH) | |
| | A - 27X0 - 7377 | (LH) | |
| S1 | A - 27X0 - 0560 | DOWNSTOP - BUMPER | |
| S2 | X - 0050 - 1596 - XYSX | NUT | 114506 |
| S3 | A - 27X0 - 2022 | BRKT ASSY - MAIN PIVOT (RH) | |
| | A - 27X0 - 2023 | (LH) | |
| S4 | X - 0050 - 1680 - XWTX | BOLT (3/8 - 16 x 1.50) | 121524 |
| T | X - 0050 - 0523 - XZZX | BUSHING | 20496857 |
| U | X - 0050 - 0521 - XWTX | SCREW (5/16 - 18 x 2.5) | 12509384 |
| V | V - 27X0 - 3030 | BALANCE LINK - MAIN PILLAR (RH) | |
| | V - 27X0 - 3031 | (LH) | |
| W | W - 27X0 - 2014 | PIVOT LINK - BI RAIL CONTROL (RH) | |
| | W - 27X0 - 2015 | (LH) | |
| X | W - 27X0 - 2630 | RAIL ASSY - SIDE (RH) | |
| | W - 27X0 - 2631 | (LH) | |
| X1 | W - 27X0 - 4433 | STOP - ADJUST SIDE RAIL | |
| X2 | X - 0050 - 0924 - XWYX | SCR & WSR ASSY (M6 x 1.0 x 14.0) | 12506386 |
| 2 | A - 27X0 - 5272 | BRKT ASSY - RR RL T-STACK ASST (RH) | 12509966 |
| | A - 27X0 - 5273 | (LH) | 12509967 |
| A | A - 27X0 - 2052 | BRKT - RR RL T-STACK ASST (RH) | |
| | A - 27X0 - 2053 | (LH) | |
| B | A - 27X0 - 2084 | LINK - TOP STACK ASSIST | |
| C | X - 0050 - 2179 - XWNX | RIVET (M6 x 5.8 x 20.0) | |
| D | X - 0050 - 1415 - XXXX | BUSHING | 14100330 |
| 3 | X - 0050 - 0128 - XXXX | NUT | 01099943 |
| 4 | A - 27X0 - 5805 | SPRING | 12509962 |
| 5 | X - 0050 - 3684 - XWNX | BOLT (1/4 - 20 x 1.0) | |
| 6 | X - 0050 - 0152 - XWNX | NUT | |
| 7 | X - 0050 - 1321 - XZDX | RIVET (1.8 x 312) | |
| 8 | W - 27X0 - 2374 | ISOLATOR - ANTI-RATTLE | 12504768 |
| 9 | X - 0050 - 3453 - XZWX | NUT | |
| 10 | X - 0050 - 1111 - XXXX | WASHER | |
| 11 | X - 0050 - 0237 - AXXX | TAPE | |
| 12 | W - 27X0 - 5640 | LINK - NO 2 BOW ACTUATOR (RH) | |
| | W - 27X0 - 5641 | (LH) | |

SERVICE ONLY

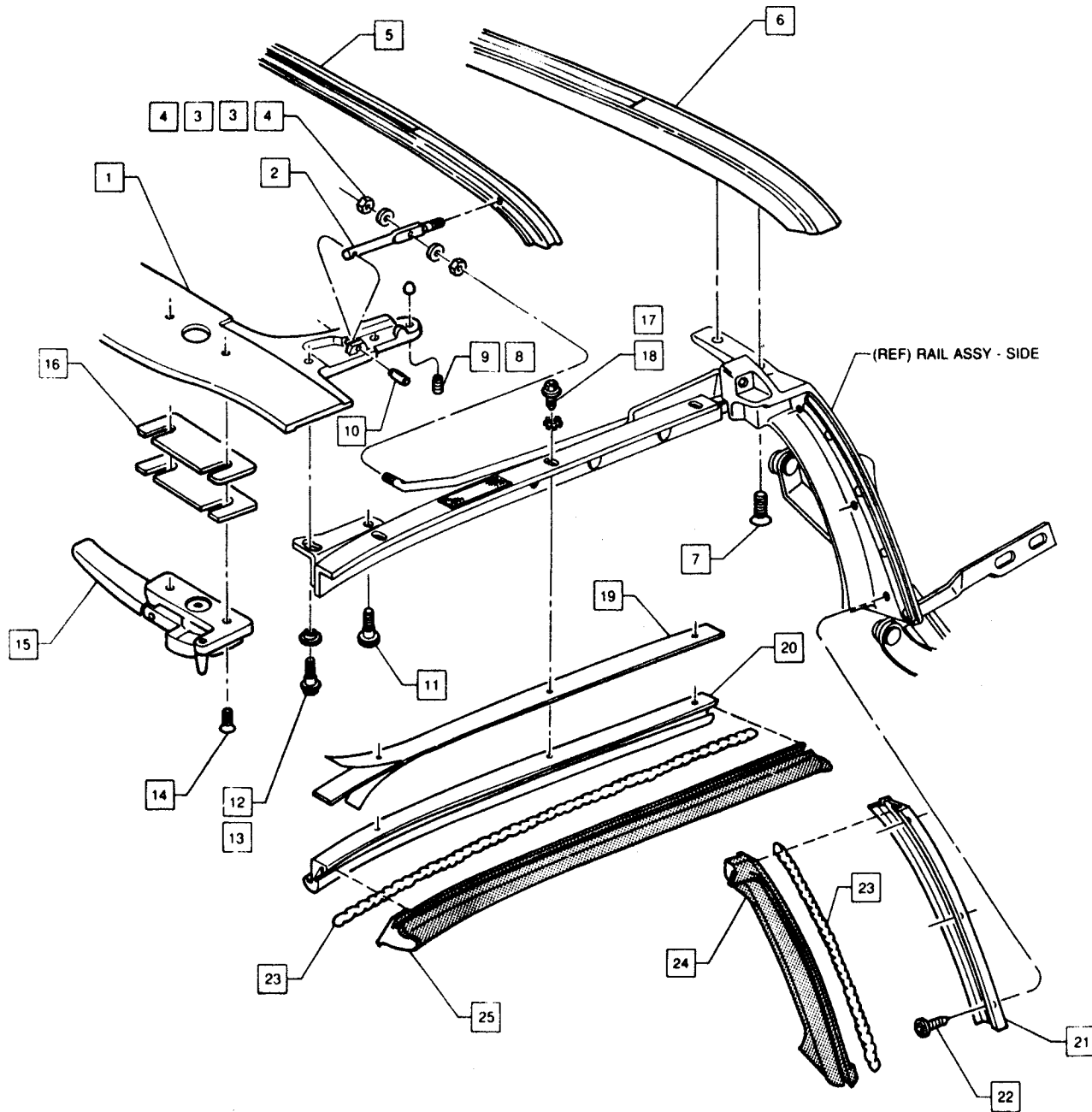
W - 27X0 - 8539 - 37 PKG ACTR & HDWR BOW NO 2 (RH,LH) 12504750-31
 CONSISTS OF 9 10 12 & 3 4 SEE SHEET 4B

DRAWING RELEASED REVISIONS DATE BY CK AP

asc ASC Incorporated
 Graphics Department
 Engineering Center
 Southgate, Michigan 48196

1991.5 "F" BODY CONVERTIBLE
 RAIL ASSEMBLY - SIDE, REAR, AND PIVOT BRACKET

A-27X0-4960-AXXX SHEET 4A



| Ref | ASC Part No | Description | GM |
|-----|------------------------|-------------------------------------|----------|
| | (SEE SHEET 4A) | TOP STACK ASSY - LESS TRM | |
| 1 | W - 27X0 - 1951 | BOW - NO 1 | 12504744 |
| 2 | W - 27X0 - 1962 | PIVOT LINK - BOW NO 2 | |
| 3 | X - 0090 - 1111 - XXXX | WASHER | |
| 4 | X - 0090 - 3300 - XWXX | NUT | |
| 5 | W - 27X0 - 2038 | BOW ASSY - NO 2 | 12504752 |
| 6 | W - 27X0 - 2050 | BOW ASSY - NO 3 | 12504741 |
| 7 | X - 0090 - 1077 - XZTX | SCREW (1.4 - 20 x 1.0) | 12506392 |
| 8 | X - 0090 - 0652 - XXXX | CAP | |
| 9 | X - 0090 - 1232 - XZTX | SCREW (10 - 24 x 50) | |
| 10 | X - 0090 - 1850 - XZTX | PIN - SPRING | 12331796 |
| 11 | X - 0090 - 3253 - XZTX | SCREW (5.16 - 18 x 915) | 12506390 |
| 12 | X - 0090 - 0500 - XZTX | BOLT (5.16 - 18 x .86) | 12505394 |
| 13 | X - 0090 - 0526 - XXXX | BUSHING | 20498858 |
| 14 | X - 0090 - 2372 - XZTX | SCREW (M6 x 1.0 x 20.0) | 12505397 |
| 15 | W - 27A0 - 2740 | LATCH ASSY - HEADER COMPL (RH) | 12506014 |
| | W - 27A0 - 2741 | (LH) | 12506015 |
| 16 | A - 27X0 - 7168 | SHM - HEADER LATCH | |
| 17 | X - 0090 - 0034 - XYGX | WASHER | |
| 18 | X - 0090 - 0087 - XWXX | SCR & WSHR ASSY (8 - 32 x .62) | 12504399 |
| 19 | X - 0090 - 0126 - KXXX | TAPE | |
| 20 | V - 27X0 - 3116 | RETAINER - SIDE RAIL SEAL (RH) | 12394880 |
| | V - 27X0 - 3117 | (LH) | 12394881 |
| 21 | W - 27X0 - 3120 | RETAINER - MAIN PLR SEAL COMPT (RH) | 12504772 |
| | W - 27X0 - 3121 | (LH) | 12504773 |
| 22 | X - 0090 - 0173 - XWSX | SCREW (8 - 18 x 50) | 20504100 |
| 23 | X - 0090 - 0189 - AXXX | ADHESIVE - WEATHERSTRIP | |
| 24 | A - 27X0 - 3024 | SEAL - MAIN PILLAR (RH) | |
| | A - 27X0 - 3025 | (LH) | |
| 25 | A - 27X0 - 3022 | SEAL - SIDE RAIL (RH) | |
| | A - 27X0 - 3023 | (LH) | |

DRAWING RELEASED

FOR LET REVISIONS DATE DR CK APP

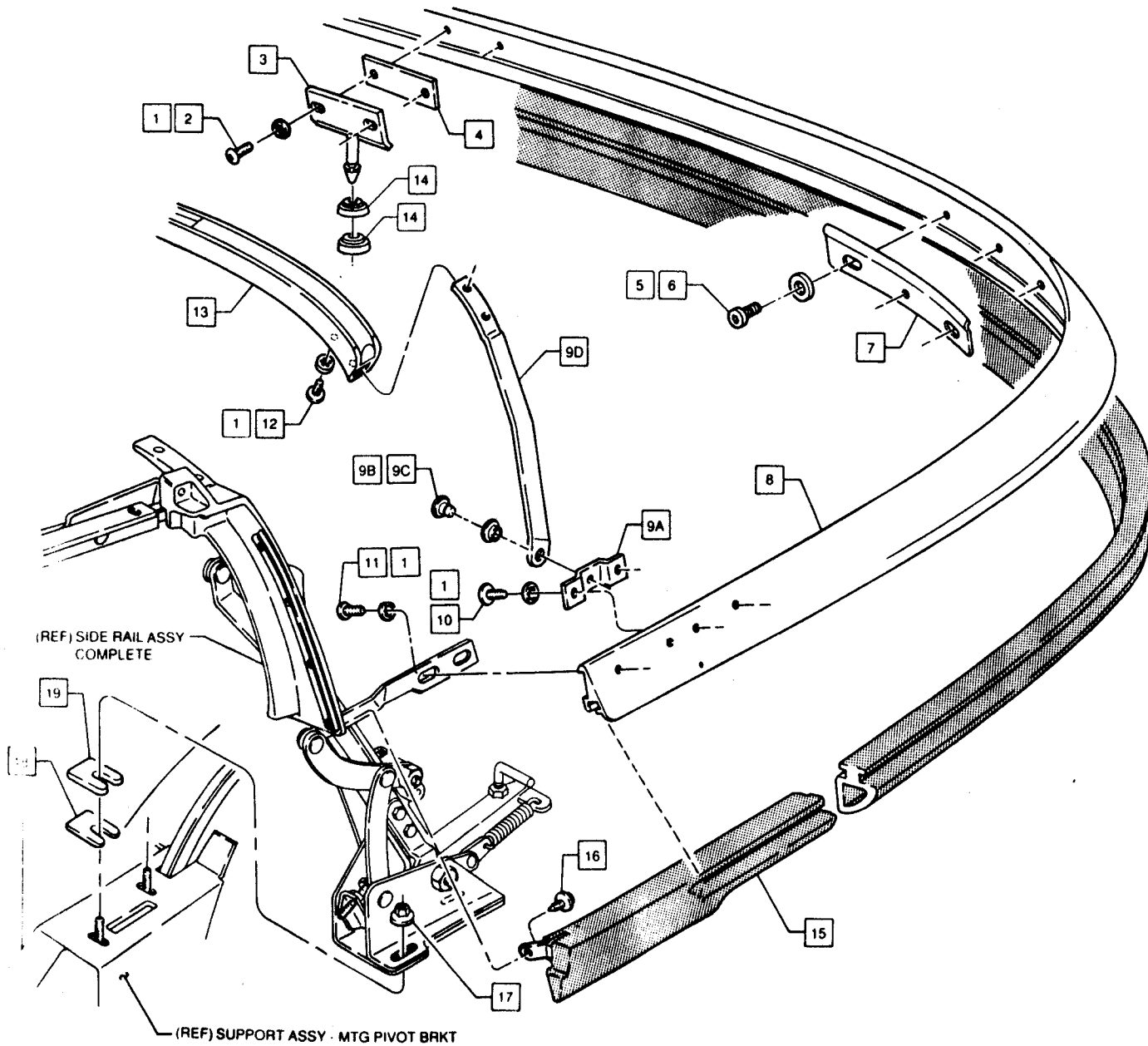
1-25-91 00

asc ASC Incorporated
Graphics Department
Engineering Center
Southgate, Michigan 48196

1-25-91
ILLUSTRATED BY
R. BROSIAU
CHECKED BY
MONTGOMERY
DESIGNED BY
C. WEBER
APPROVED BY
S. BENDON

1991.5 "F" BODY CONVERTIBLE
BOW ASSEMBLIES 1, 2, 3 - LATCHES AND SEALS

A-27X0-4960-AXXX SHEET 4B



(REF) SIDE RAIL ASSY COMPLETE

(REF) SUPPORT ASSY - MTG PIVOT BRKT

| Ref | ASC Part No | Description | GM |
|-----|------------------------|----------------------------|----------|
| | (SEE SHEET 4A) | TOP STACK ASSY - LESS TRIM | |
| 1 | X - 0050 - 1619 - XZTX | WASHER | |
| 2 | X - 0050 - 1909 - XZTX | SCREW (1.4 - 20 x .825) | 12505363 |
| 3 | U - 27X0 - 7311 | PIN - NO 5 BOW RECEIVER | 12382915 |
| 4 | V - 27X0 - 2018 | SHIM - STRIKER PIN | 12331804 |
| 5 | X - 0050 - 1111 - XXXX | WASHER | |
| 6 | X - 0050 - 1541 - XWVX | SCREW (M5 x 0.8 x 10.0) | |
| 7 | W - 27X0 - 9425 | BRKT - STAY PAD REAR | 12504738 |
| 8 | A - 27X0 - 7283 | BOW - NO 5 | |
| 9 | A - 27X0 - 4548 | SLAT ASSY - BOW NO 4 (RH) | |
| A | A - 27X0 - 4549 | (LH) | |
| A | A - 27X0 - 4776 | BRKT - BOW NO 4 (RH) | |
| A | A - 27X0 - 4777 | (LH) | |
| B | X - 0050 - 2210 - XZTX | BUSHING | |
| C | X - 0050 - 0531 - XWTX | RIVET (1.4 x 101) | |
| D | W - 27X0 - 2886 | SLAT - BOW NO 4 (RH) | |
| D | W - 27X0 - 2887 | (LH) | |
| 10 | X - 0050 - 1745 - XWTK | SCREW (8 - 32 x .375) | |
| 11 | X - 0050 - 1190 - XZTX | SCREW (1.4 - 20 x .50) | 12505395 |
| 12 | X - 0050 - 1911 - XZTX | SCREW (1.4 - 20 x .38) | 12505393 |
| 13 | W - 27X0 - 2032 | BOW ASSY - NO 4 | 12504740 |
| 14 | A - 27X0 - 3430 | SEAL PATCH | |
| 15 | W - 27X0 - 7240 | SEAL - BOW NO 5 | 12504727 |
| 16 | X - 0050 - 0173 - XWSX | SCREW (8 - 18 x .50) | 20504108 |
| 17 | X - 0050 - 1736 - XZSX | NUT & WSHR ASSY | |
| 18 | X - 0050 - 1957 - XZTX | SHIM (1.75 x 1.25 x .0825) | |
| 19 | X - 0050 - 1958 - XZTX | SHIM (1.75 x 1.25 x 1.28) | |

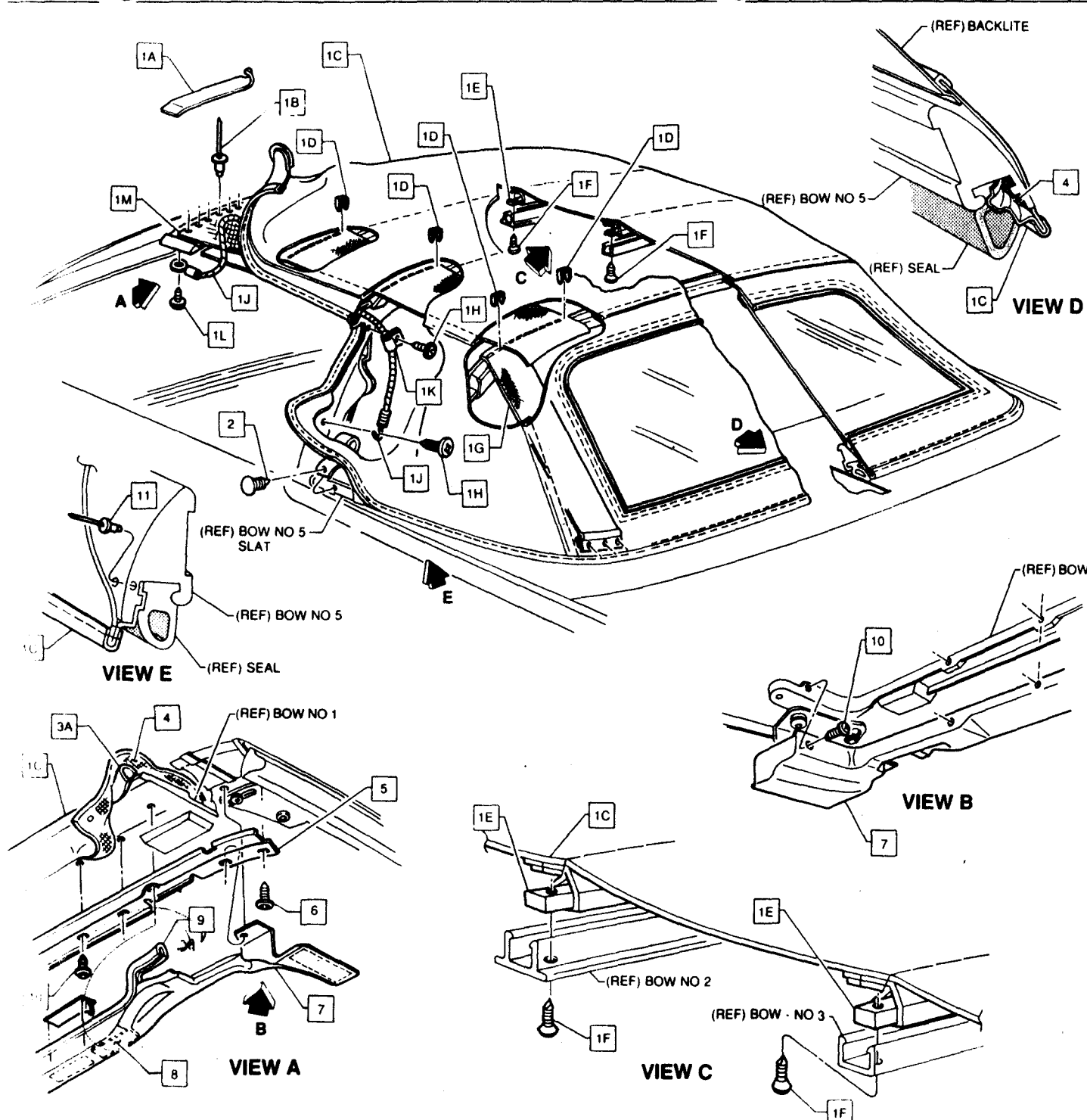
DRAWING RELEASED 1-25-91

| | | | | | | |
|-----|-----|-----------|------|----|-----|-----|
| PCB | LET | REVISIONS | DATE | DR | CHK | APP |
| | | | | | | |

asc ASC Incorporated
 Graphics Department
 Engineering Center
 Northridge, Michigan 48156

1991.5 "F" BODY CONVERTIBLE
 BOW ASSEMBLIES 4 AND 5 AND NUMBER 5 BOW SEAL

A-27X0-4960-AXXX SHEET 4C



| Ref | ASC Part No | Description | GM |
|-----|----------------------------|----------------------------|----------|
| 1 | A - 27X0 - 3112 | TOP STACK ASSY - COMPLETE | |
| | X - 0090 - 0053 - AXXX | TAPE | |
| | B - 0050 - 2484 - XZDX | RIVET (1/8 x 1/8) | |
| | C - 27X0 - 0250 | COVER ASSY - COMPLETE | |
| | D - X - 0050 - 0533 - XXXX | STAPLE | |
| | E - N - 26X0 - 2035 | RETAINER - COVER ASSY TOP | 20498014 |
| | F - X - 0050 - 1910 - XZJX | SCREW (8 - 18 x 625) | 11506231 |
| | G - W - 27X0 - 4544 | STAY PAD - REAR | 12504753 |
| | H - X - 0050 - 0073 - XZZX | SCREW (8 - 18 x 3/8) | 20365273 |
| | J - A - 27X0 - 3215 | CABLE ASSY - SIDE RETAINER | 12508253 |
| | K - X - 0050 - 2695 - XZTX | CLAMP | 12398718 |
| | L - X - 0050 - 1380 - XYBX | SCREW (8 - 18 x 25) | 12390691 |
| | M - W - 27X0 - 3122 | STAY PAD - SIDE (RH) | 12504742 |
| | W - 27X0 - 3123 | (LM) | 12504743 |
| 2 | X - 0090 - 1389 - XXXX | RETAINER | 20540336 |
| 3 | (SEE SHEET 4A) | TOP STACK ASSY - LESS TRIM | |
| | A - X - 0090 - 0097 - DXXX | TAPE | |
| 4 | X - 0090 - 0555 - AXXX | ADHESIVE - CONTACT BOND | |
| 5 | V - 27X0 - 7527 | RETAINER - COVER TOP FRONT | 12396208 |
| 6 | X - 0050 - 1910 - XZJX | SCREW (8 - 18 x 625) | 11506231 |
| 7 | A - 27X0 - 6901 | MOLDING - NO 1 BOW GARNISH | 12508310 |
| 8 | X - 0090 - 0375 - AXXX | SOUND PAD - MORTELL | |
| 9 | X - 0090 - 0195 - BXXX | TAPE | |
| 10 | X - 0050 - 0073 - XZZX | SCREW (8 - 18 x 3/8) | 20365273 |
| 11 | X - 0090 - 1915 - XZQX | RIVET (1/8 x 125) | 12398846 |

DRAWING RELEASED

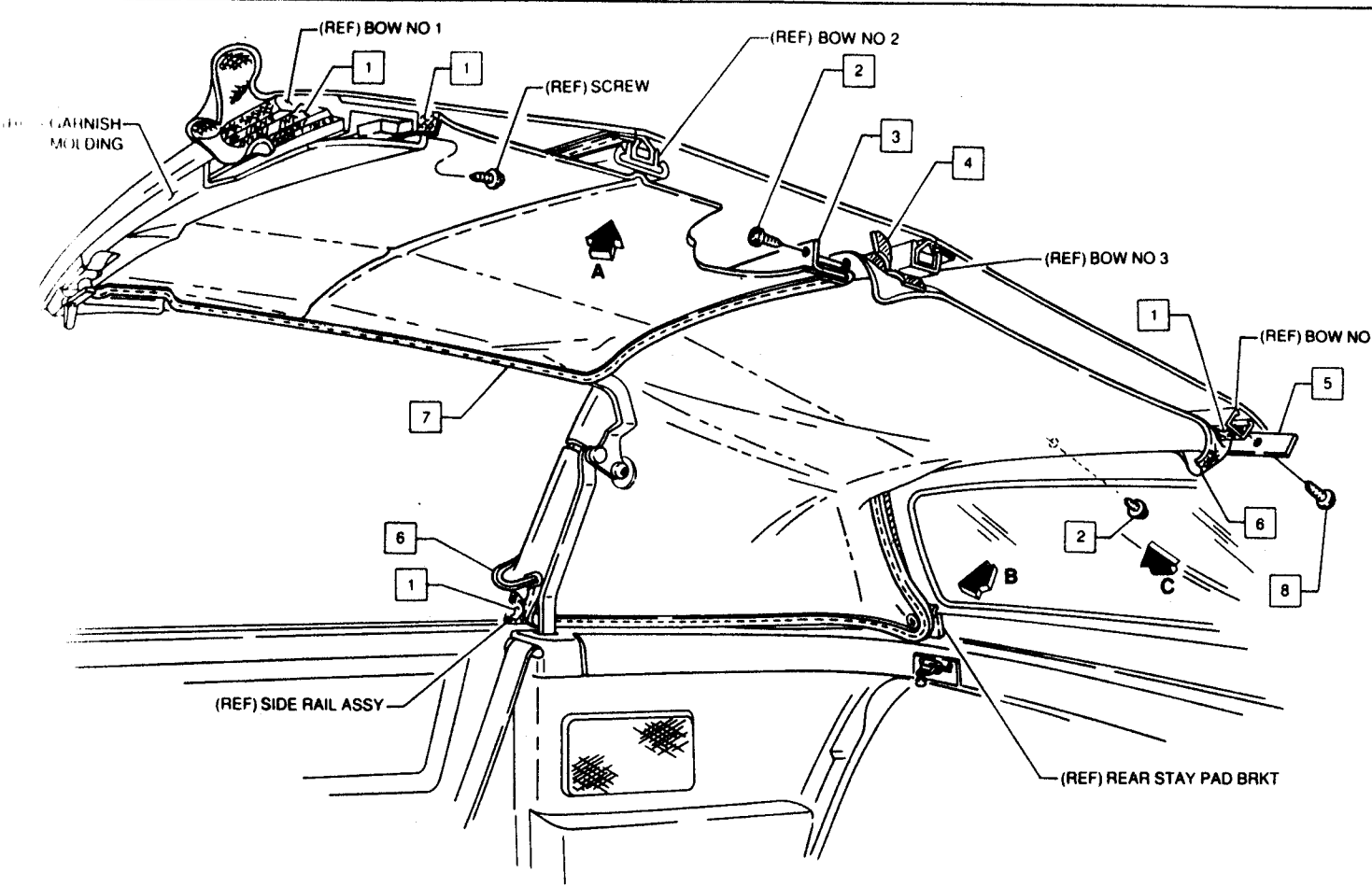
| | | | | | | |
|-----|-----|-----------|------|----|-----|-----|
| PCB | LET | REVISIONS | DATE | DR | CHK | APP |
| | | | | | | |

ASC Incorporated
 Graphics Department
 Engineering Center
 Southgate Michigan 48196

1991.5 "F" BODY CONVERTIBLE
 COVER ASSEMBLY - TOP

A-27X0-4960-AXXX SHEET 4D

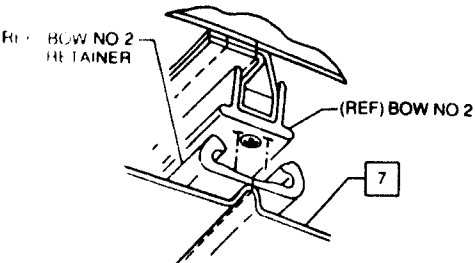
| | |
|--------------|-------------|
| DATE | 1-26-91 |
| DESIGNED BY | M. BIELLAU |
| CHECKED BY | H. KWALTON |
| APPROVED BY | C. WOODRIF |
| REVISIONS BY | S. BRADSHAW |



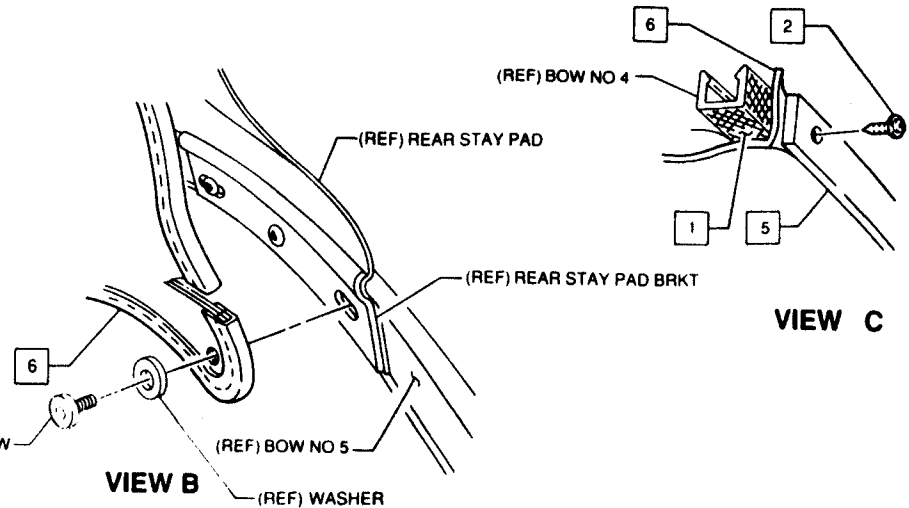
| Ref | ASC Part No | Description | GM |
|-----|------------------------|-------------------------------|----------|
| | (SEE SHEET 4D) | TOP STACK ASSY - COMPLETE | |
| 1 | X - 00M0 - 0555 - AXXX | ADHESIVE - CONTACT BOND | |
| 2 | X - 00S0 - 0073 - XZZX | SCREW (8 - 18 x 38) | 20365273 |
| 3 | W - 27X0 - 7653 | RETAINER - HEADLINER BOW NO 3 | 12506500 |
| 4 | X - 00M0 - 0126 - KXXX | TAPE | |
| 5 | A - 27X0 - 5955 | RETAINER - HEADLINER BOW NO 4 | 12506500 |
| 6 | W - 27X0 - 4747 | HEADLINER ASSY - REAR | |
| 7 | A - 27X0 - 4746 | HEADLINER ASSY - FRONT | |
| 8 | X - 00B0 - 0001 - XZZX | SCREW (8 - 18 x 50) | |

SERVICE ONLY

| | |
|----------------|---------------------|
| A: 27X0 - 8542 | PACKAGE - HEADLINER |
| CONSISTS OF: | 6 7 |



VIEW A




VIEW B

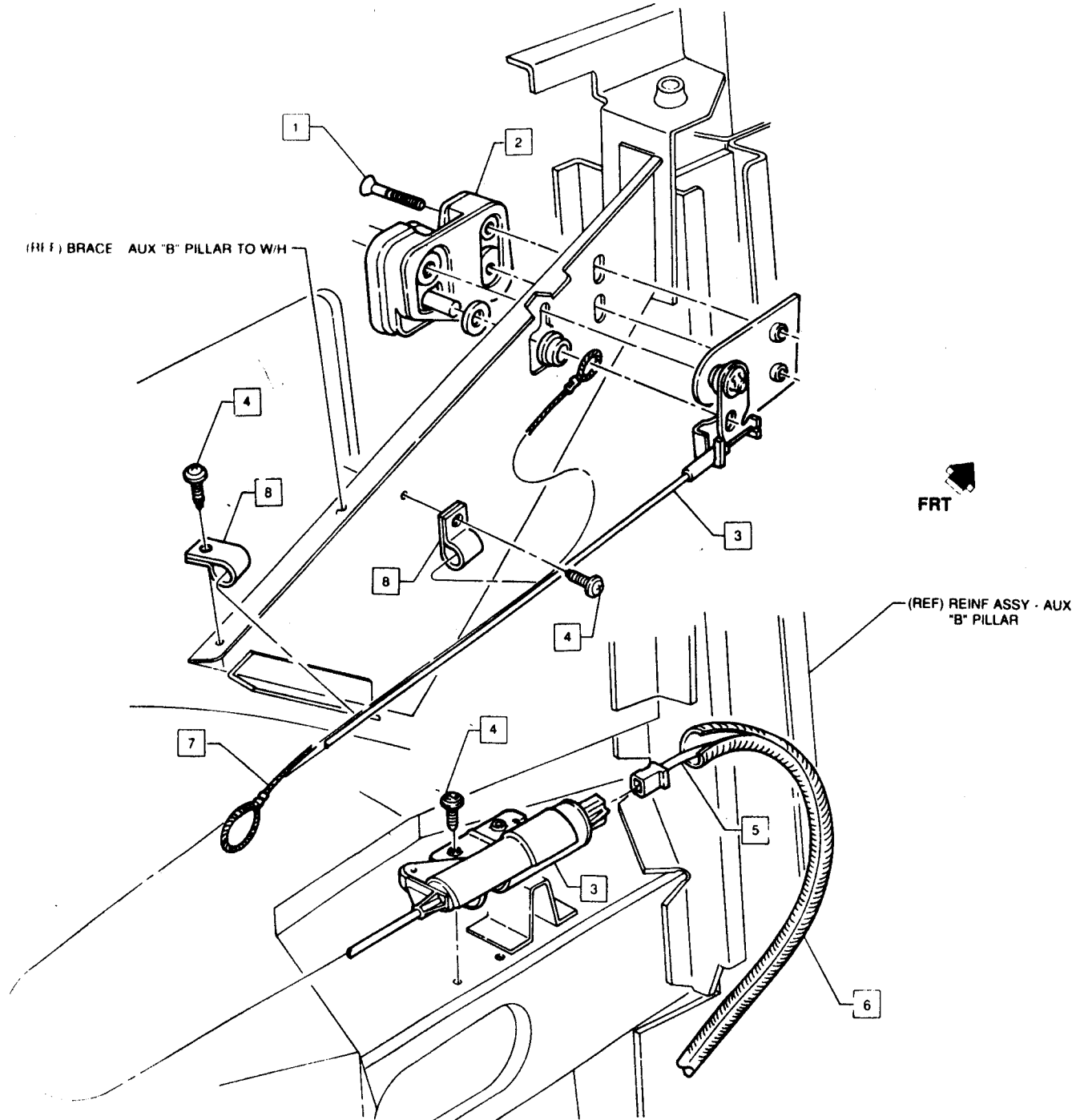
VIEW C

| | | | | |
|---|-----------|---|-----|----------|
| DRAWING RELEASED | | 1-28-91 | 100 | 20365273 |
| FOR LET | REVISIONS | DATE | CHK | TAP |
| | | ASC Incorporated Graphics Department Engineering Center Southgate Michigan 48196 | | |
| 1991.5 "F" BODY CONVERTIBLE HEADLINER ASSEMBLY | | 1-28-91 DRAWN BY M. BRIDGEMAN CHECKED BY R. KHALIL DESIGNED BY C. WEBER DRAWN BY S. DENMORE | | |
| A-27X0-4960-AXXX | | SHEET 4E | | |

| SHEET | TITLE |
|-------|--|
| 5 | CONTENTS - INTERIOR TRIM |
| 5A | TONNEAU LATCH ASSEMBLY |
| 5B | FRONT SEAT - SHOULDER BELT ASSEMBLY |
| 5C | QUARTER TRIM PANEL ASSEMBLY (CAMARO) |
| 5D | QUARTER TRIM PANEL ASSEMBLY (FIREBIRD) |
| 5E | QUARTER TRIM PANEL INSTALLATION - WEDGE PLATE AND VALVE ASSEMBLY |
| 5F | QUARTER TRIM CAP AND MUCKET INSTALLATION |
| 5G | REAR SEAT RESTRAINT SYSTEMS |
| 5H | TRUNK TRIM (CAMARO) |
| 5J | TRUNK TRIM (FIREBIRD) |
| 5K | HEADER ASSEMBLY |
| 5L | KNOB ADJUSTMENT - HEADREST (FIREBIRD) |

| DRAWING RELEASED | | 1-29-91 | CW | 22 |
|---|-----|---|----|-----|
| PCR | LET | DATE | DR | APP |
|  | | <small>As a Corporation of General Motors Engineering Dept. Northville, Michigan 48166</small> | | |
| 1991.5 "F" BODY CONVERTIBLE CONTENTS - INTERIOR TRIM | | <small>COMPLETION DATE</small> 1-28-91 <small>DESIGNED BY</small> C WEBER <small>TEXT CHECKED BY</small> J MCHAMARA <small>RECHECKED BY</small> C WEBER <small>APPROVED BY</small> S DENMORE | | |
| A-27X0-4960-AXXX | | SHEET 5 | | |

| Ref | ASC Part No | Description | GM |
|-----|------------------------|---------------------------------------|----------|
| 1 | X - 0050 - 1546 - XYSX | SCREW (M6 x 10 x 30.0) | 14100240 |
| 2 | R - 61X0 - 2740 | LATCH ASSY (RH) | 14082744 |
| | R - 61X0 - 2741 | (LM) | 14082745 |
| 3 | B - 24X0 - 0450 | SOLENOID ASSY - FRT F/T BI/COMPT (RH) | 14100362 |
| | B - 24X0 - 0451 | (LM) | 14100361 |
| 4 | X - 0050 - 0173 - XWSX | SCREW (8 - 18 x 50) | 20504108 |
| 5 | A - 27X0 - 2321 | HARNES ASSY - TONNEAU SOL REL | |
| 6 | M - 21X0 - 3568 | COVER - HARNES WIRE PROTECTOR | |
| 7 | T - 27X0 - 7593 | CABLE ASSY S C MANUAL RELEASE | 12331736 |
| 8 | X - 0050 - 1263 - XXXX | CLIP - TUBING | 12331737 |



FRT

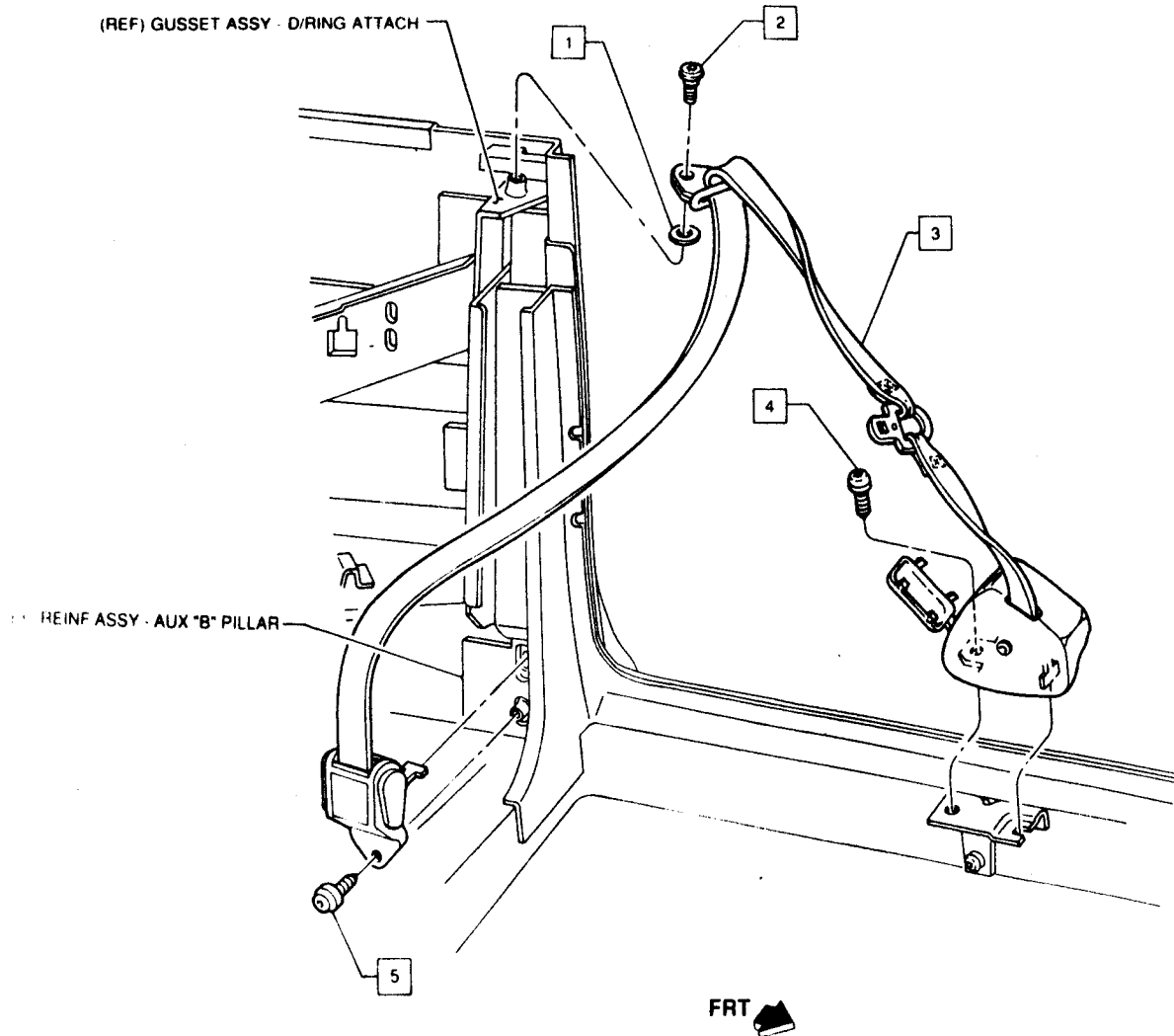
(REF) REINF ASSY - AUX "B" PILLAR

| | | | |
|--|-----|---|--------------------------|
| DRAWING RELEASED | | 1-25-91 | 12331736 |
| PCN | LET | REVISIONS | DATE OR CK APP |
| | | ASC Incorporated Graphics Department Engineering Center Southgate Michigan 48196 | 1-25-91 M. DEOLAU |
| TITLE 1991.5 "F" BODY CONVERTIBLE TONNEAU LATCH ASSEMBLY | | | DRAWN BY C. WISER |
| PART NUMBER A-27X0-4960-AXXX SHEET 5A | | | CHECKED BY S. DENMORE |

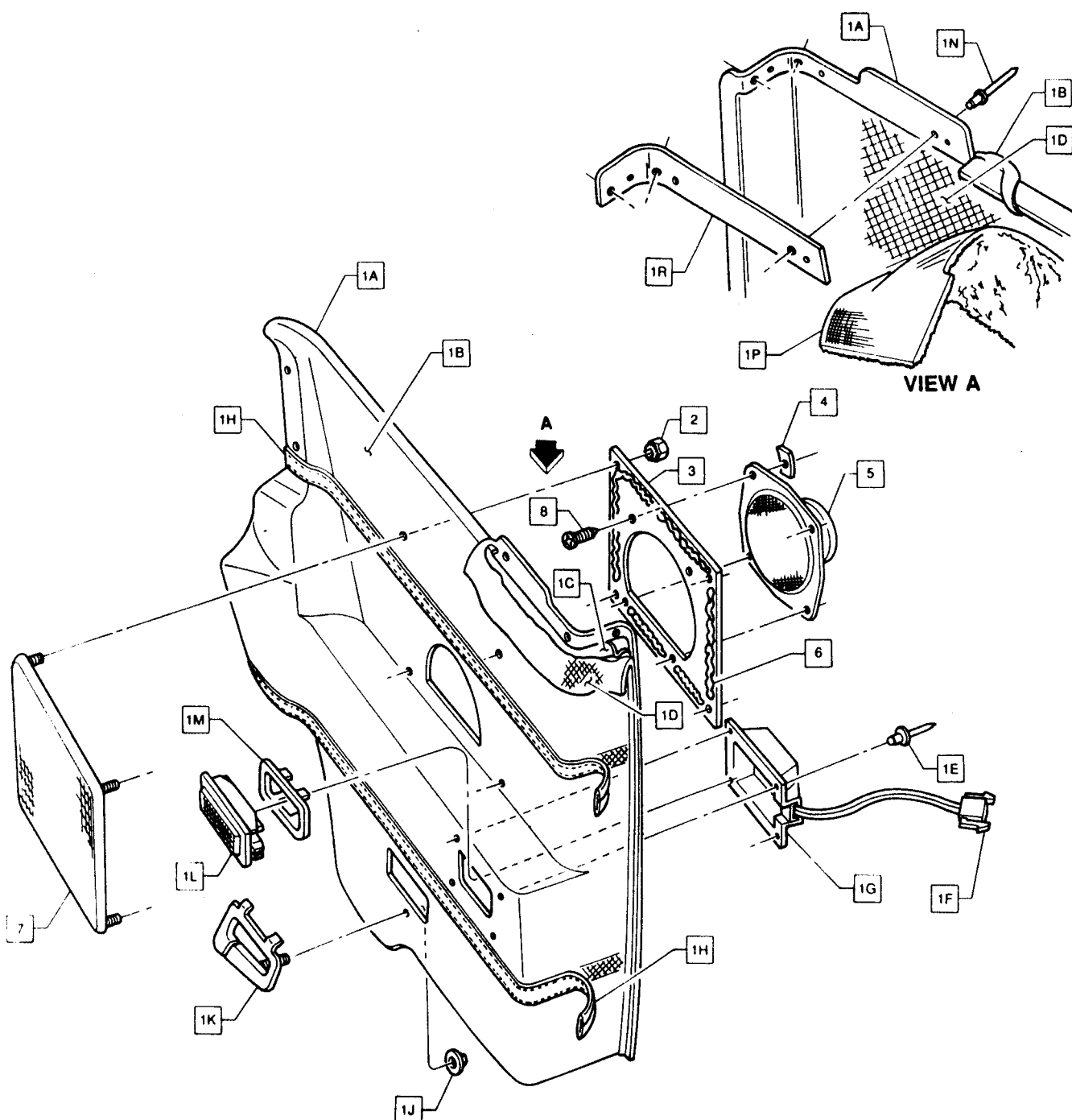
| Ref | ASC Part No | Description | GM |
|-----|------------------------|--------------------------------|----------|
| 1 | X - 0050 - 1852 - XXXX | WASHER | |
| 2 | X - 0050 - 0687 - XXXX | BOLT (M12 x 1.75 x 25.0) | 20247308 |
| 3 | W - 27X0 - 3010 | RETR BELT ASSY - FRT SEAT (RH) | |
| | | (LH) | |
| 4 | X - 0050 - 1694 - XZTX | BOLT (7/16 - 20 x 1.38) | |
| 5 | X - 0050 - 0733 - XZTX | BOLT (M12 x 1.75 x 25.0) | 20227973 |

SERVICE ONLY

| | | |
|--------------------|--------------------------------|---|
| W - 27X0 - 8044-45 | RETR BELT ASSY - FRT ST (RHLH) | |
| CONSISTS OF: | | 3 |



| | | | | | | | | |
|--|-----|---|--|-------------------------------------|-----|--|-----|-----|
| PCB | LET | DRAWING RELEASED | | 1-26-91 | AND | DATE OK | CHK | APP |
| | | REVISIONS | | | | | | |
| | | ASC Incorporated Graphics Department Engineering Center Southgate Michigan 48196 | | 1-26-91 DESIGNED BY M. BEGLAU | | MADE BY MONTGOMERY DRAWN BY C. WEBER CHECKED BY S. BERNHORN | | |
| TITLE 1991.5 "F" BODY CONVERTIBLE FRONT SEAT SHOULDER BELT ASSEMBLY | | | | | | | | |
| PART NUMBER A-27X0-1060-AYXX | | SHEET 5B | | | | | | |



| Ref | ASC Part No | Description | GM |
|-----|------------------------|-----------------------------------|----------|
| 1 | A - 27X0 - 1568 | PANEL ASSY QTR TRIM INR (RH) | |
| | A - 27A0 - 1568 | (RH) [OPTIONAL] | |
| | A - 27X0 - 1569 | (LH) | |
| | A - 27A0 - 1569 | (LH) [OPTIONAL] | |
| A | A - 27X0 - 1214 | TRIM PANEL - QTR INNER (RH) | |
| | A - 27X0 - 1215 | (LH) | |
| B | A - 27X0 - 3356 | COVER ASSY QTR TRIM PANEL (RH) | |
| | A - 27A0 - 3356 | (RH) [OPTIONAL] | |
| | A - 27X0 - 3357 | (LH) | |
| | A - 27A0 - 3357 | (LH) [OPTIONAL] | |
| C | X - 00M0 - 0116 - AXXX | PAD - FOAM | |
| D | X - 00M0 - 0132 - AXXX | ADHESIVE - SYN RUBBER | |
| E | X - 00S0 - 0246 - AXXX | RIVET (1/8 x 3/12) | |
| F | A - 27X0 - 3718 | JUMPER - COURTESY LAMP | |
| G | N - 26X0 - 3874 | COVER - COURTESY LAMP BACKING | |
| H | S - 2FX0 - 1626 | DIVIDER - STRIP (RH) | |
| | S - 2FX0 - 1627 | (LH) | |
| J | X - 00S0 - 0719 - XZTX | NUT | 20049922 |
| K | V - 26X0 - 3702 | BEZEL - SEAT RETRACTOR (RH) | |
| | V - 26X0 - 3703 | (LH) | |
| L | A - 27X0 - 3559 | LAMP ASSY - COURTESY | |
| M | N - 26X0 - 3561 | RETAINER - COURTESY LAMP | 20367850 |
| N | X - 00B0 - 0348 - AXXX | RIVET (1/8 x 126) | |
| P | T - 27X0 - 2491 | CARPET - QTR TRIM PANEL (RH) | |
| | T - 27X0 - 2491 | (LH) | |
| R | T - 27X0 - 0153 | PLATE - B-PLR CAP TAPPING | |
| 2 | X - 00S0 - 0776 - AXXX | NUT & WSHR ASSY | 11501913 |
| 3 | A - 27D0 - 7430 | ADAPTOR PLATE - SPEAKER MTG (RH) | |
| | A - 27D0 - 7431 | (LH) | |
| 4 | X - 00B0 - 1362 - AXXX | NUT - PUSH ON | 12510053 |
| 5 | S - 2FX0 - 3209 | SPEAKER - REAR QTR | 16022090 |
| | A - 27X0 - 2082 | SPEAKER - REAR PREMIUM [OPTIONAL] | 16146805 |
| 6 | X - 00M0 - 0189 - AXXX | ADHESIVE | |
| 7 | N - 26X0 - 3671 | GRILLE ASSY - SPEAKER | |
| 8 | X - 00S0 - 1873 - XZTX | SCREW (8 - 18 x 1.00) | 11508448 |

SERVICE ONLY

| | | | | | | | | | | | | | |
|--------------------|---|----|----|----|----|----|----|----|----|----|----|----|----|
| A - 27X0 - 8068-89 | PKG - PNL ASSY QTR TRIM (RH/LH) | | | | | | | | | | | | |
| CONSISTS OF: | <table border="1"> <tr> <td>1A</td> <td>1B</td> <td>1D</td> <td>1E</td> <td>1F</td> <td>1G</td> </tr> <tr> <td>1H</td> <td>1L</td> <td>1M</td> <td>1N</td> <td>1P</td> <td>1R</td> </tr> </table> | 1A | 1B | 1D | 1E | 1F | 1G | 1H | 1L | 1M | 1N | 1P | 1R |
| 1A | 1B | 1D | 1E | 1F | 1G | | | | | | | | |
| 1H | 1L | 1M | 1N | 1P | 1R | | | | | | | | |

SERVICE ONLY

| | | | | | | | | | | | | | |
|--------------------|---|----|----|----|----|----|----|----|----|----|----|----|----|
| A - 27A0 - 8068-89 | PKG - PNL ASSY QTR TRIM (RH/LH) [OPTIONAL] | | | | | | | | | | | | |
| CONSISTS OF: | <table border="1"> <tr> <td>1A</td> <td>1B</td> <td>1D</td> <td>1E</td> <td>1F</td> <td>1G</td> </tr> <tr> <td>1H</td> <td>1J</td> <td>1M</td> <td>1N</td> <td>1P</td> <td>1R</td> </tr> </table> | 1A | 1B | 1D | 1E | 1F | 1G | 1H | 1J | 1M | 1N | 1P | 1R |
| 1A | 1B | 1D | 1E | 1F | 1G | | | | | | | | |
| 1H | 1J | 1M | 1N | 1P | 1R | | | | | | | | |

DRAWING RELEASED

1-25-91

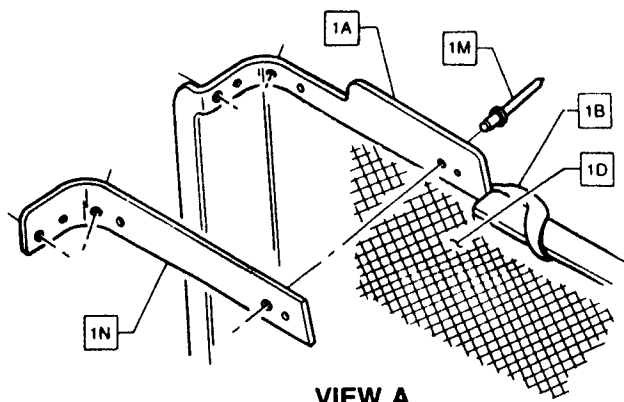
asc

1991.5 "F" BODY CONVERTIBLE
QUARTER TRIM PANEL ASSEMBLY (CAMARO)

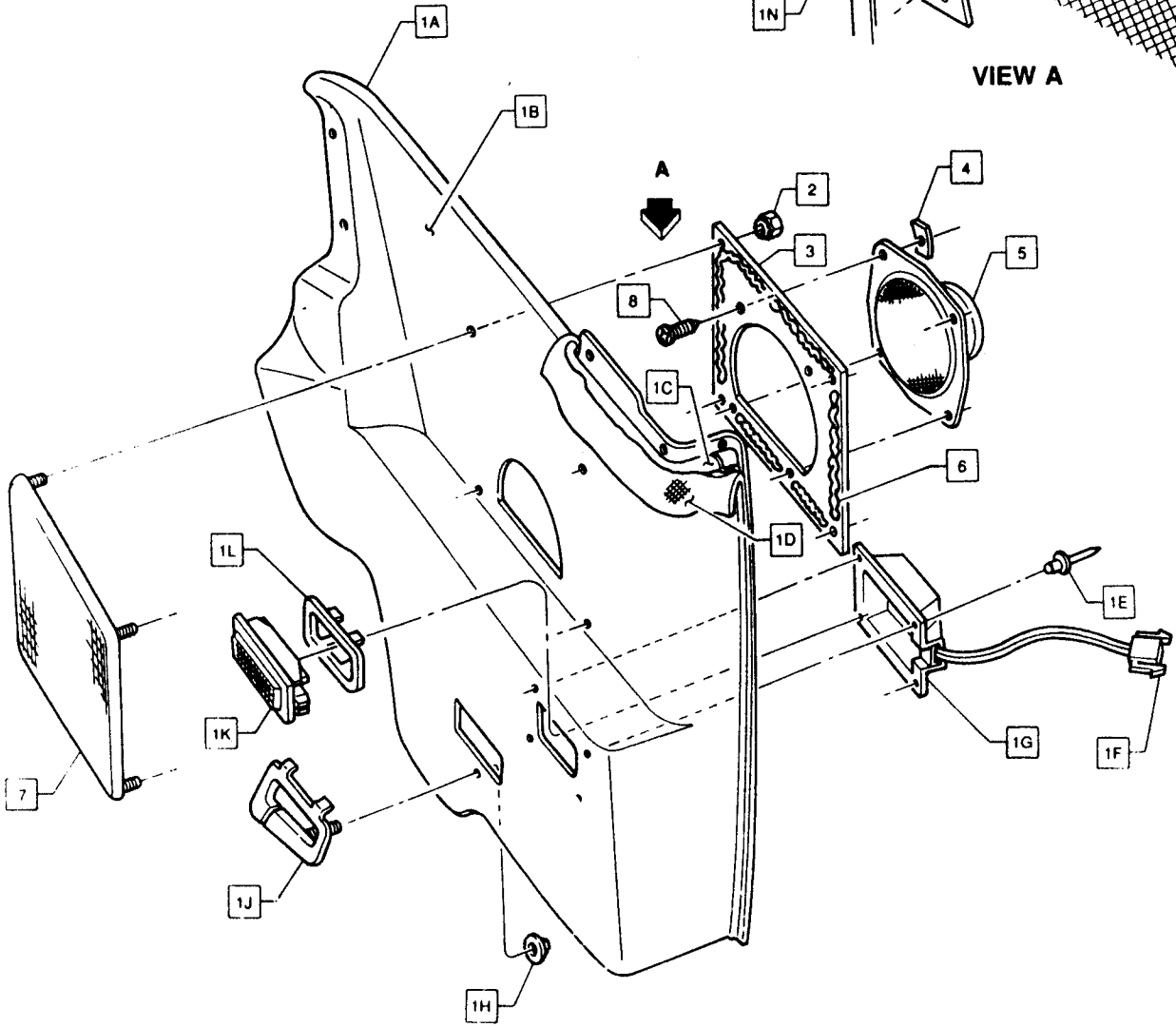
A-27X0-4960-AXXX SHEET 5C

| | | | | | |
|-----|-----|------|----|----|-----|
| PCR | LET | DATE | DR | CK | APP |
| | | | | | |

1-25-91
D WHILLE
MONTGOMERY
C WEBER
S SENSORE



VIEW A



| Ref | ASC Part No | Description | GM |
|-----|------------------------|----------------------------------|----------|
| 1 | A - 27D0 - 1548 | PNL ASSY - QTR TRIM INR (RH) | |
| | A - 27D0 - 1549 | (LH) | |
| A | A - 27D0 - 1214 | TRIM PNL - QTR INNER (RH) | |
| | A - 27D0 - 1215 | (LH) | |
| B | A - 27D0 - 3356 | COVER ASSY - QTR TRIM (RH) | |
| | A - 27D0 - 3387 | (LH) | |
| C | X - 00M0 - 0116 - XXXX | PAD - FOAM | |
| D | X - 00M0 - 0132 - AXXX | ADHESIVE - SYN RUBBER | |
| E | X - 0090 - 0246 - XXXX | RIVET (1/8 x 3/12) | |
| F | A - 27X0 - 3718 | JUMPER - COURTESY LAMP | |
| G | N - 26X0 - 3874 | CVR - COURTESY LAMP BACKING | |
| H | X - 0080 - 0719 - XZTX | NUT | 20048623 |
| J | V - 26X0 - 3702 | BEZEL - SEAT RETRACTOR (RH) | |
| | V - 26X0 - 3703 | (LH) | |
| K | A - 27X0 - 3558 | LAMP ASSY - COURTESY | |
| L | N - 26X0 - 3561 | RETAINER - COURTESY LAMP | |
| M | X - 0080 - 0348 - XXXX | RIVET (1/8 x 125) | |
| N | T - 27X0 - 0183 | PLATE - 8-PLR CAP TAPPING | |
| 2 | X - 0080 - 0778 - XXXX | NUT & WSHR ASSY | 11901913 |
| 3 | A - 27D0 - 7430 | ADAPTOR PLATE - SPEAKER MTG (RH) | |
| | A - 27D0 - 7431 | (LH) | |
| 4 | X - 0090 - 1362 - XXXX | NUT - PUSH ON | 12510063 |
| 5 | A - 27X0 - 2082 | SPEAKER - REAR (PREMIUM) | 18146805 |
| 6 | X - 00M0 - 0189 - AXXX | ADHESIVE - WSTR | |
| 7 | N - 26X0 - 3671 | GRILLE ASSY - SPEAKER | |
| 8 | X - 0090 - 1873 - XZTX | SCREW (8 - 18 x 1.0) | 11908488 |

SERVICE ONLY

| | | | | | | | | | |
|-----------------|---------------------------------|----|----|----|----|----|----|----|----|
| A - 27D0 - 1548 | PKG - PNL ASSY QTR TRIM (RH/LH) | 1A | 1B | 1C | 1E | 1F | 1G | 1K | 1L |
| CONSISTS OF | | 1M | 1N | | | | | | |

DRAWING RELEASED

1-25-91 DW

1-25-91

asc

1991.5 "F" BODY CONVERTIBLE
QUARTER TRIM PANEL ASSEMBLY (FIREBIRD)

A-27X0-4960-A XXX

SHEET 5D

DATE DR CK APP

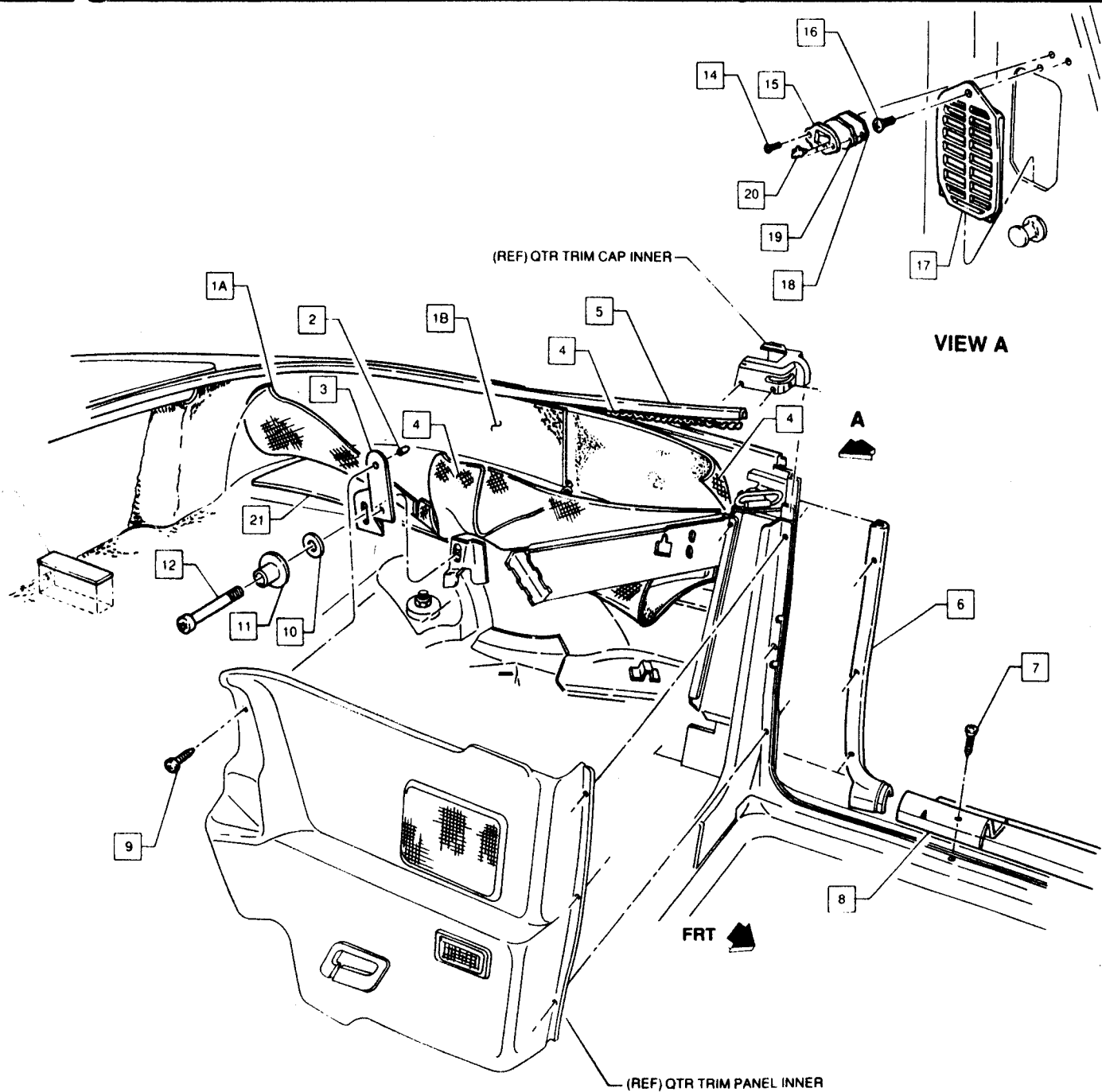
DATE DR CK APP

D WINKLE

MONTGOMERY

C WEBER

S BENMORE



| Ref | ASC Part No | Description | GM |
|-----|------------------------|--------------------------------------|----------|
| 1 | T - 27X0 - 7306 | CARPET ASSY - WHEELHOUSE (RH) | 12982511 |
| | T - 27X0 - 7307 | (LM) | 12992512 |
| A | T - 27X0 - 0732 | CARPET - WHEELHOUSE BOTTOM (RH) | |
| | T - 27X0 - 0733 | (LM) | |
| B | T - 27X0 - 3834 | CARPET - WHEELHOUSE SIDE (RH) | |
| | T - 27X0 - 3835 | (LM) | |
| 2 | X - 0090 - 0652 XXXX | CAP | |
| 3 | T - 27X0 - 3140 | BRKT QTR TRIM ATTACHING (RH) | 12331762 |
| | T - 27X0 - 3141 | (LM) | 12331764 |
| 4 | X - 00M0 - 0132 XXXX | ADHESIVE SYN RUBBER | |
| 5 | X - 00M0 - 0051 - EXXX | WELT - CORD | |
| 6 | V - 27X0 - 1488 | MLDG - B PLR PINCH WELD COMPT (RH) | |
| | V - 27X0 - 1489 | (LM) | |
| 7 | Z - 0050 - 2365 - XZTK | SCR & WSHR ASSY (M4 2 x 1.41 ± 20.0) | 11508614 |
| 8 | Z - 27X0 - 5416 | MOLDING - SILL PLATE (RH) | |
| | Z - 27X0 - 5417 | (LM) | |
| 9 | X - 0090 - 0071 - XYNX | SCR & WSHR ASSY (8 - 18 x 75) | |
| 10 | Z - 0050 - 2360 - XZTK | WASHER | 1727058 |
| 11 | Z - 0050 - 2368 - XXXX | SLEEVE | 20302572 |
| 12 | Z - 0050 - 2362 - XZTK | BOLT (M10 x 1.5 x 65.58) | 20148470 |
| 13 | T - 27X0 - 6845 | PLATE - TRUNK CARPET WEAR | |
| 14 | Z - 0050 - 2821 - XXXX | SCREW (M4 2 x 16.0) | 11508647 |
| 15 | R - 28X0 - 3132 | WEDGE PLATE - B PLR | 20329444 |
| 16 | X - 0050 - 0099 - XWNS | WEDGE PLATE - B PLR | 12500251 |
| 17 | Z - 27X0 - 7715 | VALVE ASSY - B PLR VENT | 8788235 |
| 18 | S - 27A0 - 0181 | SHIM - WEDGE PLATE 2" | 20452861 |
| 19 | S - 27X0 - 0181 | SHIM - WEDGE PLATE 1" | 20452850 |
| 20 | X - 00M0 - 0292 - XXXX | LUBRICANT - DOOR EASE | 9906819 |
| 21 | M - 21X0 - 3436 | DEADENER - WHEELHOUSE | |

SERVICE ONLY

T - 27X0 - 8210 | WELT - CORD | 12331807

CONSISTS OF 5

DRAWING RELEASED 1-28-91

FOR LET REVISIONS DATE CH CK APP

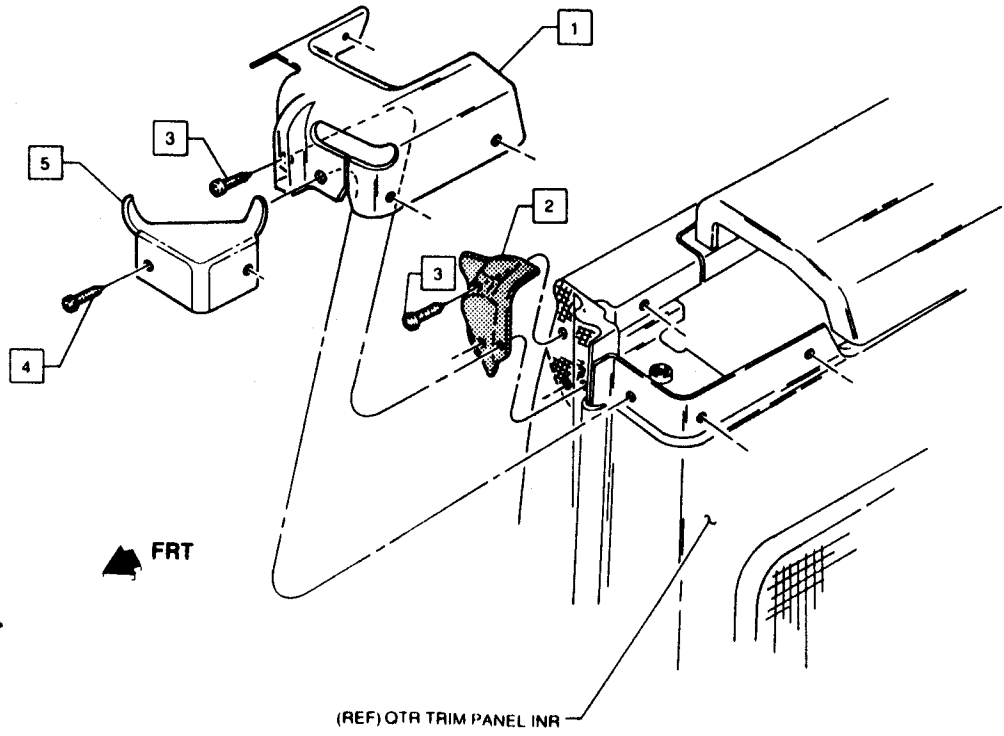
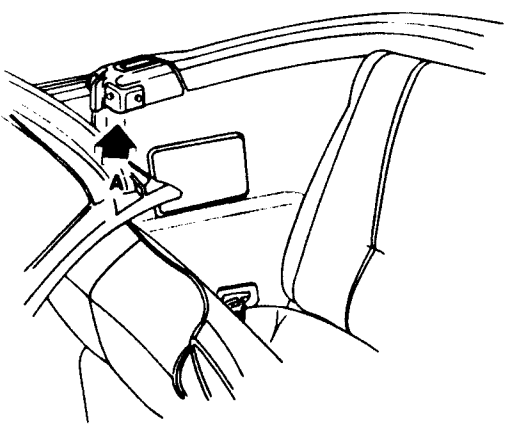
asc
ASC Incorporated
Graphics Department
Engineering Center
Southgate Michigan 48196

1-28-91
DESIGNED BY M. BOGLAU
CHECKED BY M. MONTGOMERY
REVISED BY C. WEBER
APPROVED BY S. BISHOPP

1991.5 "F" BODY CONVERTIBLE
QUARTER TRIM PANEL INSTALLATION - WEDGE
PLATE AND VALVE ASSEMBLY

DT NUMBER A-27X0-4960-AXXX SHEET 5E

| Ref | ASC Part No | Description | GM |
|-----|------------------------|--------------------------------|----------|
| 1 | A - 27X0 - 2329 | TRIM CAP - QTR INR UPR (RH) | 12508309 |
| | A - 27X0 - 2329 | (LM) | 12508309 |
| 2 | W - 27X0 - 3422 | SEAL - LOCK PILLAR MUCKET (RH) | 12504732 |
| | W - 27X0 - 3423 | (LM) | 12504733 |
| 3 | X - 0050 - 0173 - XWSX | SCREW (8 - 18 x .50) | 20504108 |
| 4 | X - 0050 - 0071 - XYNX | SCR & WSHR ASSY (8 - 18 x .75) | |
| 5 | A - 27X0 - 5008 | BEZEL - SHOULDER BELT (RH) | 12508710 |
| | A - 27X0 - 5009 | (LM) | 12508711 |



VIEW A

| | | | |
|------------------|-----|---|---------|
| DRAWING RELEASED | | 1-28-81 | MS |
| REV | LET | REVISIONS | DATE OR |
| asc | | ASC Incorporated Graphics Department Engineering Center Westland, Michigan 48186 | |
| TITLE | | 1991.5 "F" BODY CONVERTIBLE QUARTER TRIM CAP AND MUCKET INSTALLATION | |
| DRAWN BY | | M KWALTON | |
| CHECKED BY | | C WEBER | |
| PART NUMBER | | A-27X0-4960-AXXX SHEET 5F | |
| DESIGNED BY | | S BERNHORN | |