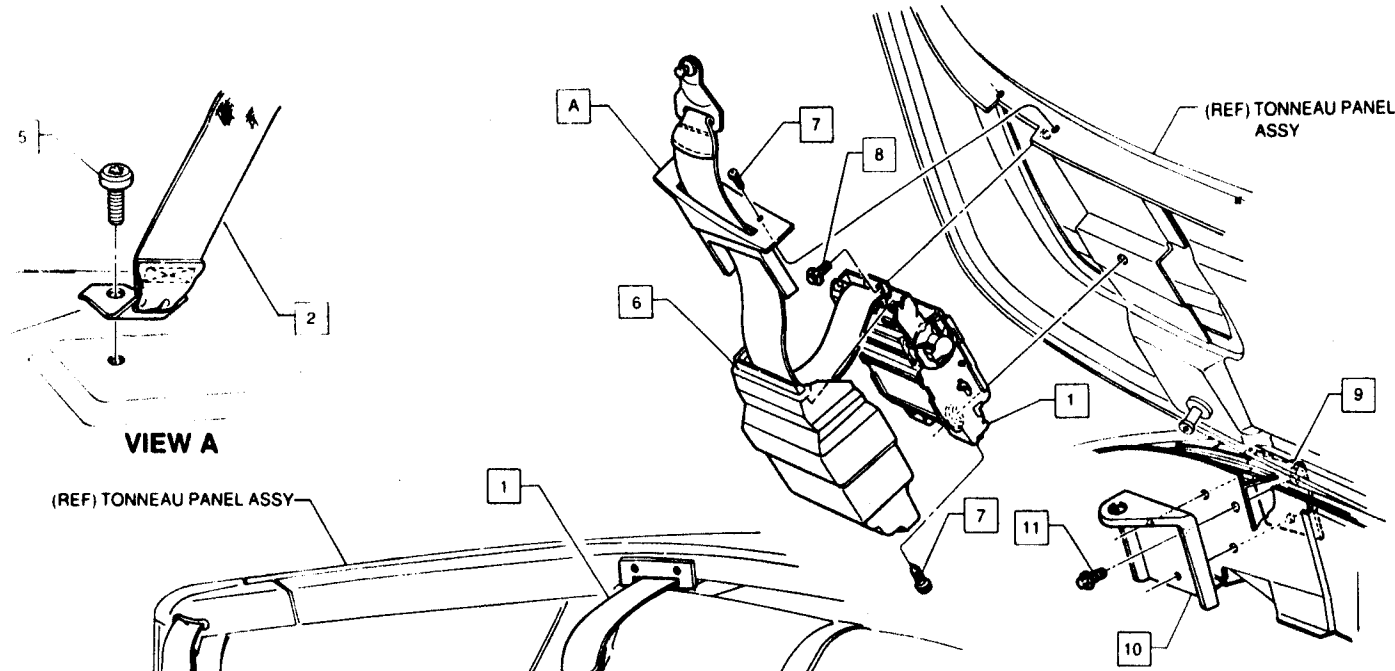


| Ref | ASC Part No | Description | GM |
|-----|------------------------|--|----------|
| 1 | W - 27X0 - 3160 | RETR ASSY - RR ST SHLDR BELT (RH) (LM) | |
| 2 | W - 27X0 - 5411 | CINCH LAP BELT REAR | |
| 3 | 2 - 27X0 - 3676 | BUCKLE - REAR SEAT BELT | |
| 4 | 2 - 0050 - 2359 - XZTX | SCR & WSHR ASSY (M8 x 1.25 x 35.0) | 20432000 |
| 5 | X - 0050 - 0733 - XZTX | BOLT (M12 x 1.75 x 25.0) | 20227973 |
| 6 | W - 27X0 - 1088 | CVR - RR ST SHOULDER BELT RETR | 12905468 |
| 7 | X - 0050 - 0001 - XZAX | SCREW (8 - 18 x 50) | 12296183 |
| 8 | X - 0050 - 2001 - XZTX | SCREW (M8 x 1.25 x 20.0) | 20251000 |
| 9 | V - 27X0 - 4466 | PLATE ASSY - RCVR PIN BRKT TAPPING | 12296151 |
| 10 | V - 27X0 - 2594 | BRKT - SECONDARY PIN RECEIVER | 12504760 |
| 11 | X - 0050 - 0634 - XZZX | BOLT (5.16 - 18 x 75) | |

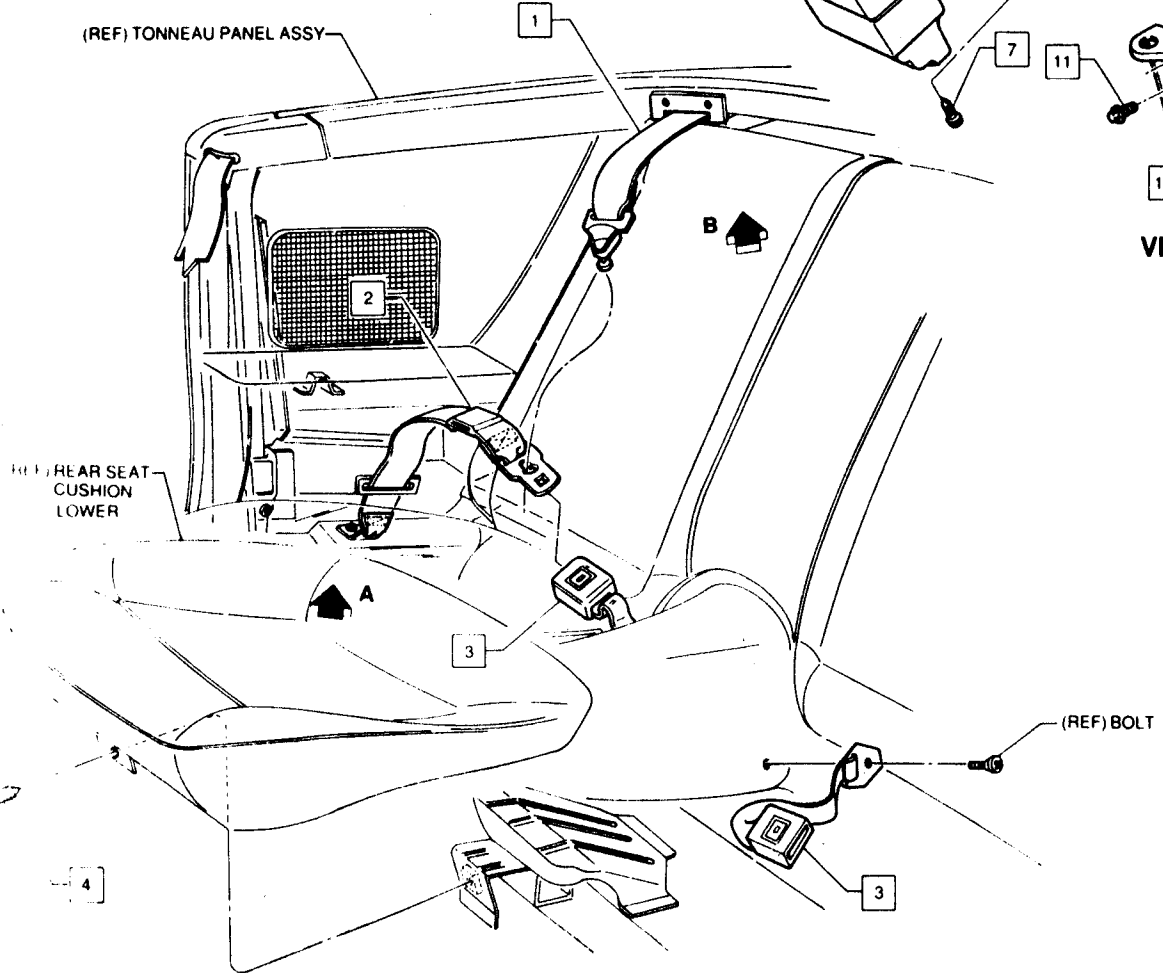
SERVICE ONLY

| | | |
|----------------------|-------------------------------------|-------------|
| W - 27X0 - 8346 47 | RETR ASSY - RR ST SHLDR BLT (RH LM) | |
| CONSISTS OF | | 1 |
| A V - 27X0 - 8258 57 | ESCUT - RR SHLDR ST BELT (RH LM) | 12308310.11 |
| W - 27X0 - 8374 | CINCH - LAP BELT REAR | |
| CONSISTS OF | | 2 |



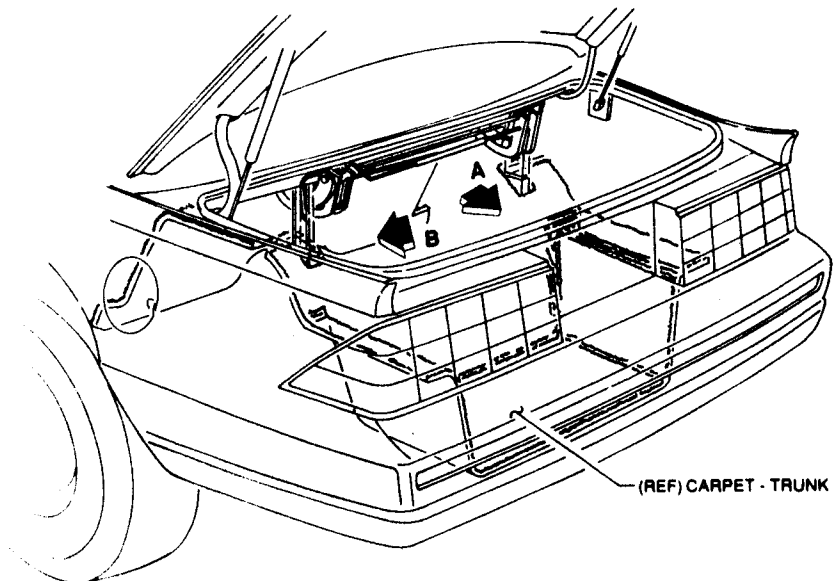
VIEW A

VIEW B

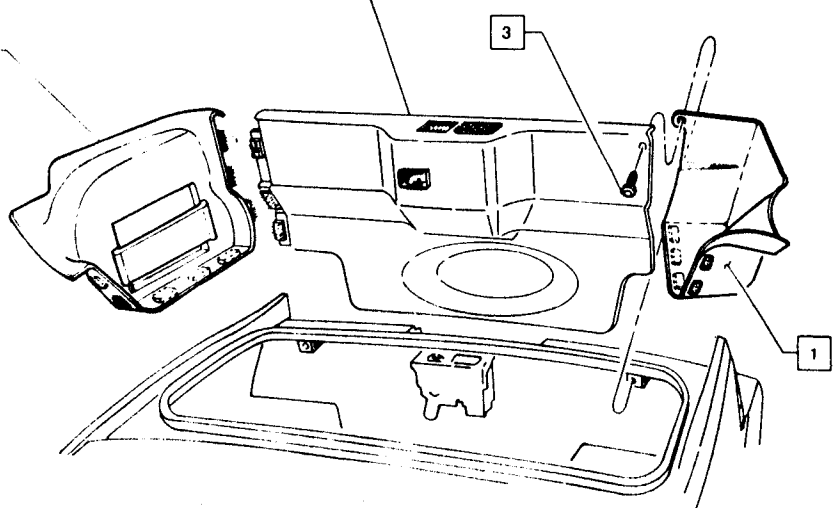


| PCN | LET | REVISIONS | DATE | CHK | APP |
|---|-----|---|---------|-----|--|
| | | ASC Incorporated Graphics Department Engineering Center Southgate Michigan 48199 | 1-25-91 | JK | |
| 1991.5 "F" BODY CONVERTIBLE REAR SEAT RESTRAINT SYSTEMS | | | | | 1-25-91 J. KANG MONTGOMERY C. WEDER S. BOWMORE |
| A-27X0-4960-AXXX | | | | | SHEET 5G |

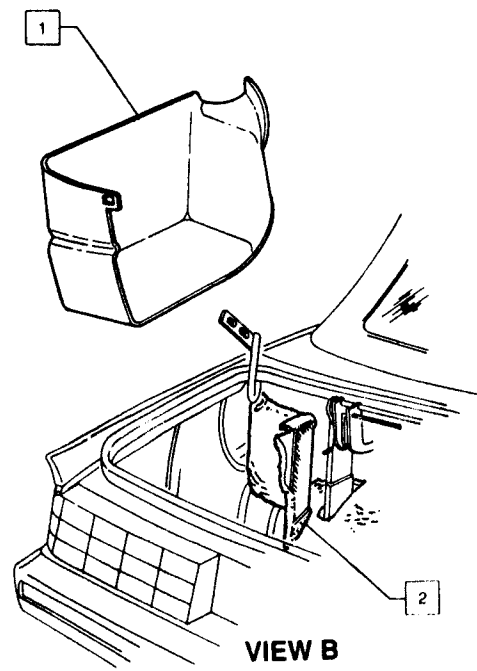
| Ref | ASC Part No | Description | GM |
|-----|--|------------------------------------|----------|
| 1 | A - 27X0 - 7950 A - 27X0 - 7951 (LM) | CARPET - INNER REAR QTR PANEL (RH) | 12508946 |
| 2 | V - 27X0 - 2318 A - 27X0 - 2319 (LM) | TRIM PNL ASSY - CARGO FRONT (RH) | 12500222 |
| 3 | 2 - 0050 - 2825 - XXXX | RETAINER | 20387248 |



(REF) TRIM PANEL ASSY - CARGO REAR



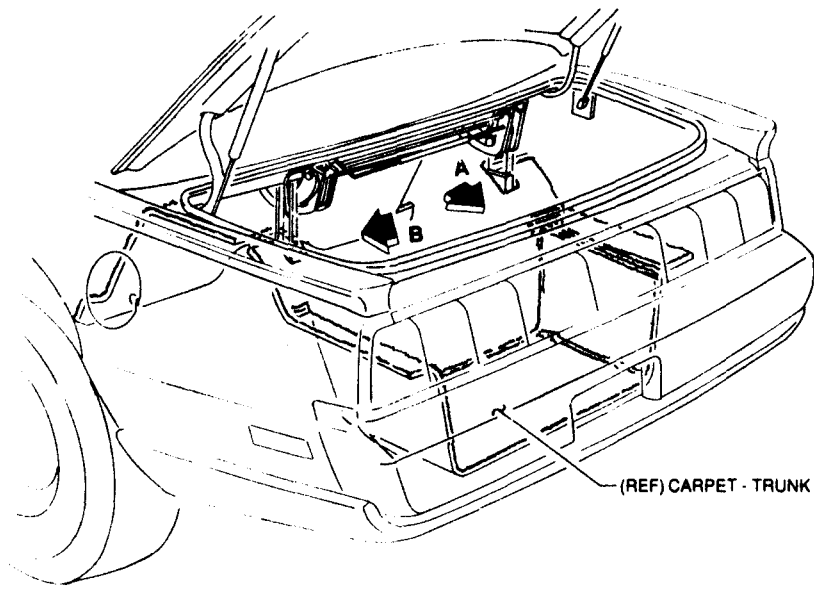
VIEW A



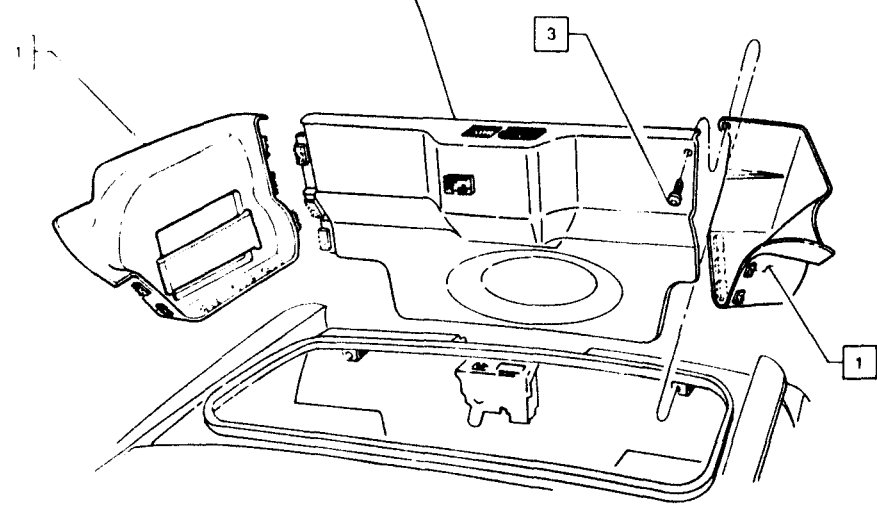
VIEW B

| | | | | |
|-----------------------------|-------|-----------|------|----|
| DRAWING RELEASED | | 1 25 91 | MD | |
| PCR | 1 1 1 | REVISIONS | DATE | DR |
| asc | | 1-25-91 | | |
| 1991.5 "F" BODY CONVERTIBLE | | | | |
| TRUNK TRIM (CAMARO) | | | | |
| A-27X0-4960-AXXX | | SHEET | 5H | |

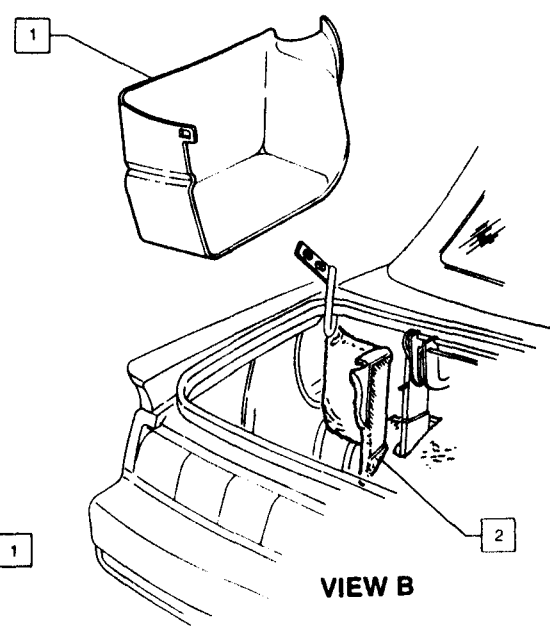
| Ref | ASC Part No | Description | GM |
|-----|------------------------|----------------------------------|----------|
| 1 | A - 27X0 - 7950 | CARPET - INNER REAR QTR PNL (RH) | 12509946 |
| | A - 27X0 - 7951 | (LM) | 12509947 |
| 2 | V - 27X0 - 2318 | TRIM PNL ASSY - CARGO FRT (RH) | 12500222 |
| | A - 27X0 - 2319 | (LM) | 12500223 |
| 3 | 2 - 0080 - 2825 - XXXX | RETAINER | 20387348 |



(REF) TRIM PANEL ASSY - CARGO REAR

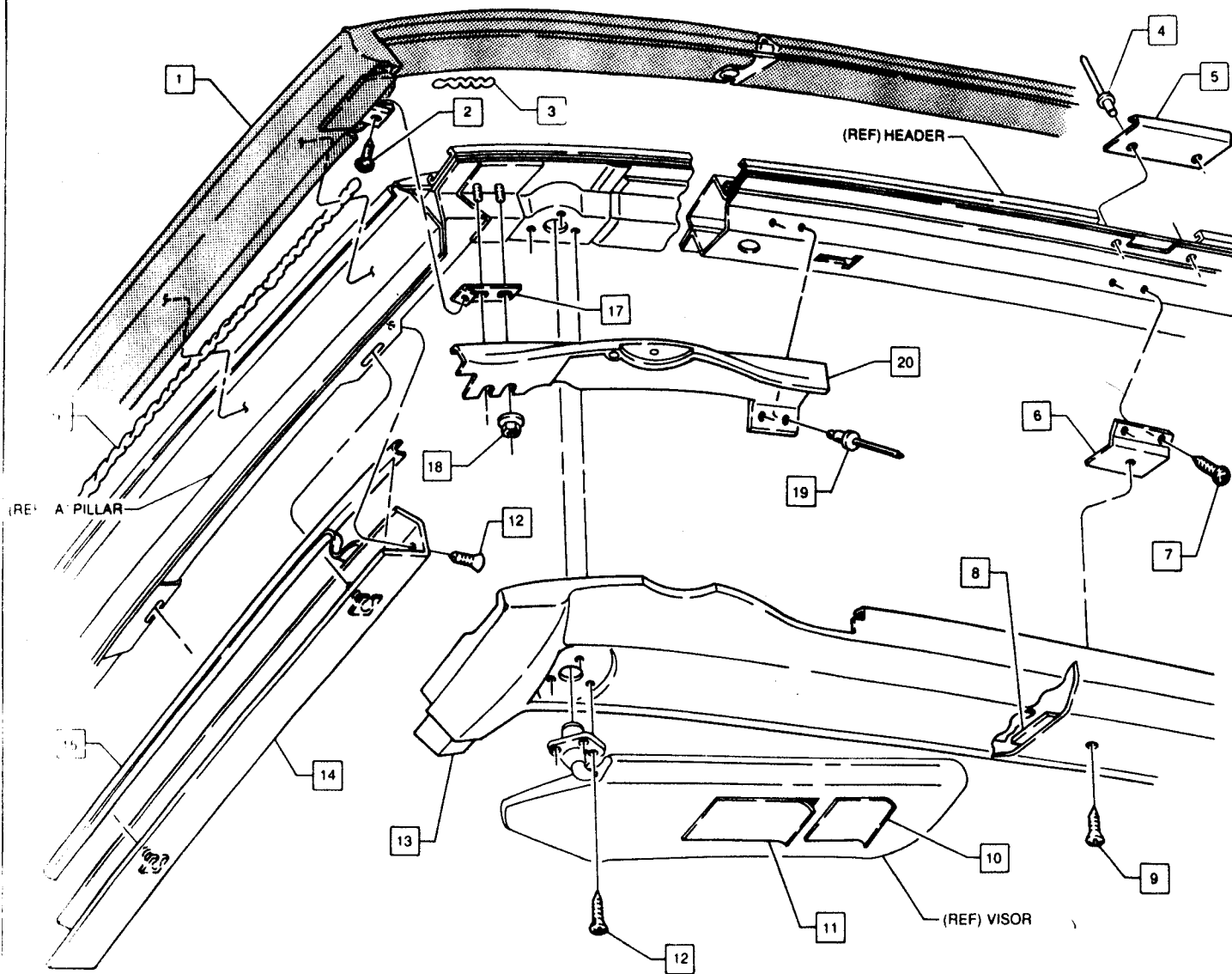


VIEW A



VIEW B

| | | | | | | |
|-----------------------------|-----|---------|----|----|-----|------------|
| DRAWING RELEASED | | 1-25-81 | MS | DR | CK | APP |
| PCR | LET | DATE | DR | CK | APP | |
| REVISIONS | | | | | | |
| asc | | | | | | |
| 1991.5 "F" BODY CONVERTIBLE | | | | | | |
| TRUNK TRIM (FIREBIRD) | | | | | | |
| A-27X0-4960-AXXX SHEET 5J | | | | | | |
| | | | | | | 1-25-81 |
| | | | | | | M. BIELAU |
| | | | | | | MONTGOMERY |
| | | | | | | C. WEBER |
| | | | | | | S. BISHOP |

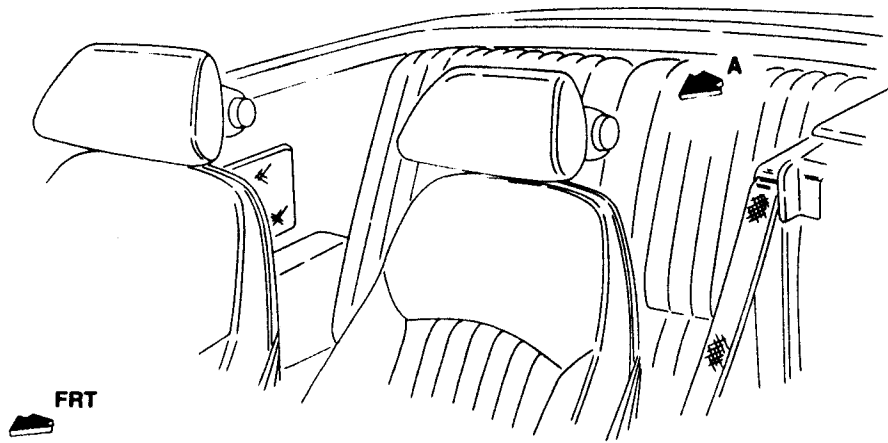
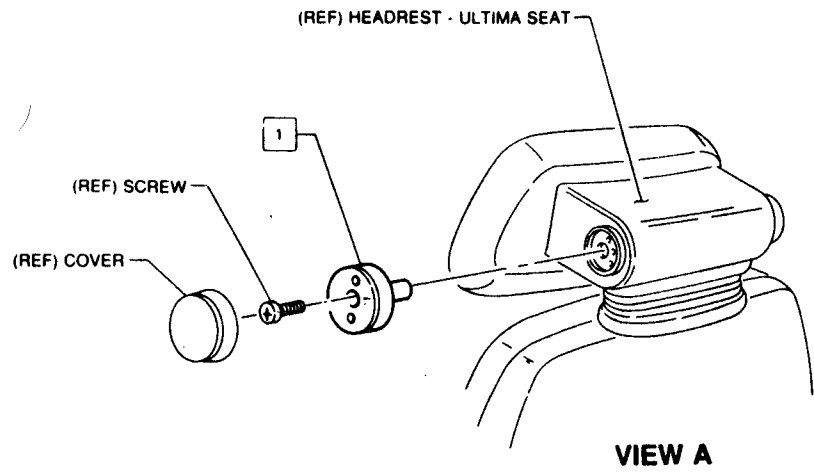


| Ref | ASC Part No | Description | GM |
|-----|------------------------|--------------------------------------|----------|
| 1 | A - 27X0 - 3400 | SEAL HEADER A PLR | |
| 2 | X - 0090 - 0090 - XWNS | SCREW (8 - 18 x 62) | 12900281 |
| 3 | X - 0090 - 0120 - AXXX | CAULKING | |
| 4 | X - 0090 - 0180 - XXXX | RIVET (18 x 375) | |
| 5 | T - 27X0 - 2801 | BRKT - W S HEADER FILLER | 12331723 |
| 6 | V - 27X0 - 0002 | BRKT - HDR GARNISH ATTACHING | 12501717 |
| 7 | X - 0050 - 0173 - XWSX | SCREW (8 - 18 x 50) | 20504108 |
| 8 | X - 0090 - 0195 - BXXX | TAPE - FOAM | |
| 9 | X - 0090 - 0701 - XZTX | SCR & WSHR ASSY (M4.2 x 1.41 x 13.0) | 11505156 |
| 10 | W - 27X0 - 1439 | LABEL - INFLATABLE RST SYSTEM | 10125254 |
| 11 | T - 27X0 - 7062 | LABEL - VISOR INSTRUCTIONS | |
| 12 | X - 0050 - 1954 - XZTX | SCR & WSHR ASSY (8 - 18 x 1.25) | 12505391 |
| 13 | A - 27X0 - 3285 | GARNISH - HEADER INNER | 12509311 |
| 14 | V - 27X0 - 1130 | GARNISH - A PLR INNER (RH) | 12331750 |
| 15 | V - 27X0 - 1131 | (LH) | 12331751 |
| 16 | X - 0090 - 0057 - DXXX | TAPE - FOAM | |
| 17 | X - 0090 - 0180 - AXXX | ADHESIVE - W STR | |
| 18 | V - 27X0 - 1335 | BRKT - A-5 SEAL JOINT ATTACH | 12399881 |
| 19 | X - 0090 - 0282 - XZZX | NUT & WSHR ASSY | |
| 20 | X - 0090 - 0854 - XXXX | RIVET (25 x 625) | |
| 20 | V - 27X0 - 9084 | PLATE ASSY - HOUSING HDR LATCH (RH) | 12508208 |
| | V - 27X0 - 9085 | (LH) | 12508207 |

DRAWING RELEASED


| | | | | | |
|------------------|-----------|---|----|-------------------------------------|------|
| PCB (LET) | REVISIONS | DATE | BY | CHK | TAPP |
| | | ABC Incorporated Graphics Department Engineering Center Springdale, Michigan 48190 | | 1-25-91 J. KING | |
| | | 1991.5 "F" BODY CONVERTIBLE HEADER ASSEMBLY | | C. ALLEN C. WOODRIF A. BISHOP | |
| A-27X0-4960-AXXX | | SHEET 5K | | | |

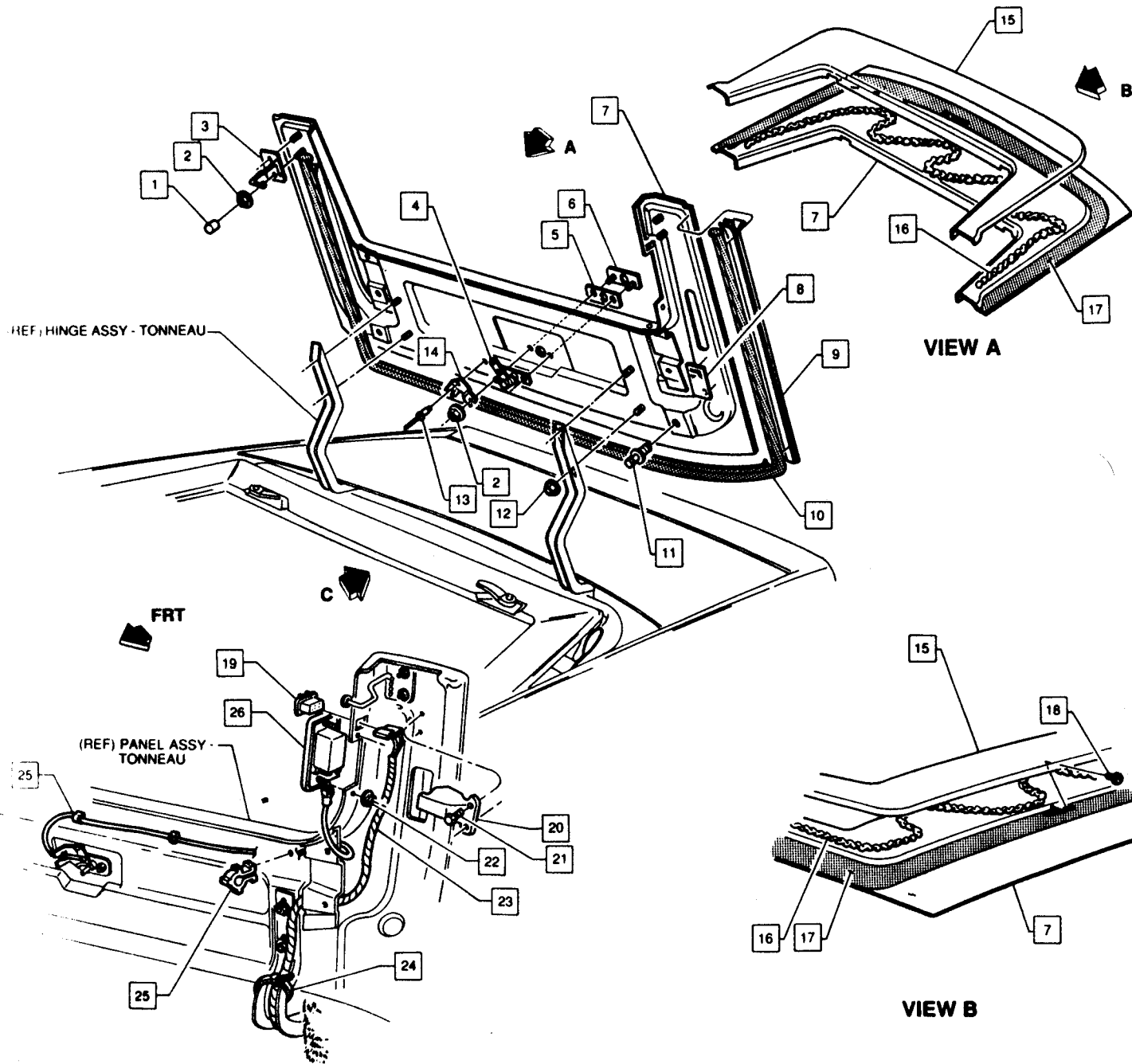
| Ref | ASC Part No | Description | GM |
|-----|-------------|---------------|----------|
| 1 | A-2700-3698 | KNOB HEADREST | 20626164 |



| | | | |
|--------------------------------------|-----|--------------|---------|
| DRAWING RELEASED | | 1-25-01 | DN |
| PCR | LEI | REVISIONS | DATE DR |
| | | 1-25-01 | CR |
| | | D. HERNANDEZ | APP |
| 1991.5 "F" BODY CONVERTIBLE | | D. VILLAROSA | |
| KNOB ADJUSTMENT - HEADREST (PIREBRO) | | C. WISER | |
| A-27X0-4960-AXXX SHEET 5L | | 1. BERNARDI | |

| SHEET | TITLE |
|-------|--|
| 6 | CONTENTS - EXTERIOR TRIM |
| 6A | TONNEAU ASSEMBLY |
| 6B | DECK LID LABELS AND HINGE ASSEMBLY - TONNEAU |
| 6C | DECK LID ASSEMBLY (CAMARO) |
| 6D | DECK LID ASSEMBLY (FIREBIRD) |
| 6E | SPOILER AND QUARTER BELT MOLDING ASSEMBLY (CAMARO) |
| 6F | SPOILER AND QUARTER BELT MOLDING ASSEMBLY (FIREBIRD) |
| 6G | PENCIL BRACE INSTALLATION |
| 6H | ROCKER MOLDINGS (CAMARO) |
| 6J | ROCKER MOLDINGS (FIREBIRD) |

| | | | | |
|---|----|---|----|--|
| DRAWING RELEASED | | 1-28-81 | CV | 1-28-81 |
| FOR | BY | DATE | BY | APP |
|  | | ASC Incorporated Graphics Department Engineering Center Southgate Michigan 48186 | | 1-28-81 ILLUSTRATED BY C. WEBER CHECKED BY MONTGOMERY C. WEBER APPROVED BY S. BRIDGEMAN |
| 1981.5 "F" BODY CONVERTIBLE CONTENTS - EXTERIOR TRIM | | | | |
| A-27X0-1960-AYVY | | SHEET 6 | | |

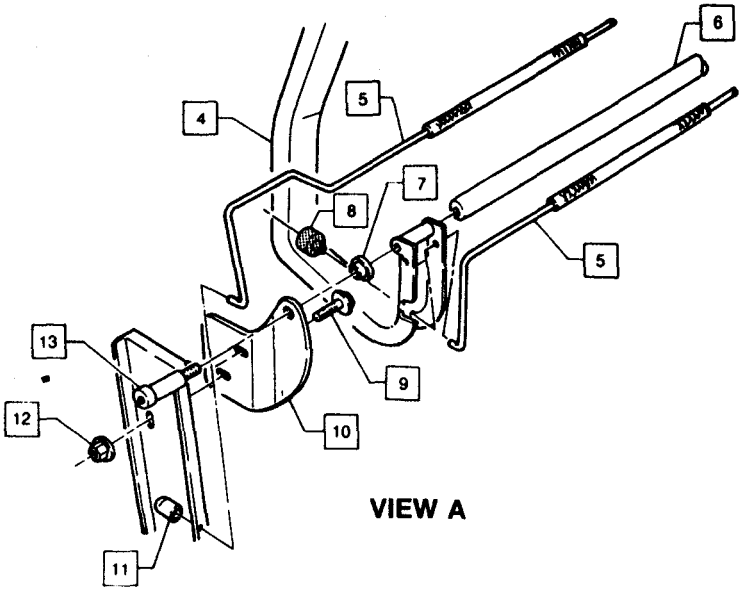
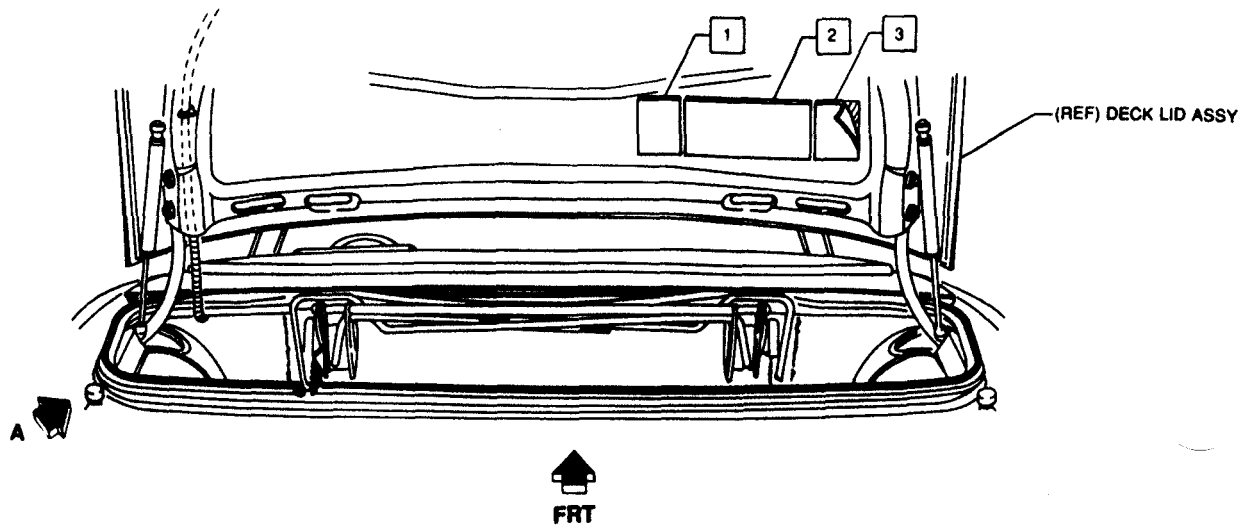


| Ref | ASC Part No | Description | GM |
|-----|------------------|------------------------------------|----------|
| 1 | X-6080-1863-XXXX | CAP | 12388717 |
| 2 | X-6080-0282-KZXX | NUT & WSHR ASSY | |
| 3 | T-27X0-7504 | STKR ASSY - STOWAGE COMPT LID (FR) | 12331730 |
| | | (LH) | 12331734 |
| 4 | T-27X0-7252 | LATCH ASSY - NO S BOW | 12388818 |
| 5 | A-27X0-7280 | ISOLATOR - NO S BOW LATCH | |
| 6 | A-27X0-2770 | BEZEL - NO S BOW RECEIVER PIN | |
| 7 | A-27X0-2187 | PANEL ASSY - TONNEAU | 12389148 |
| 8 | V-27X0-8639 | LABEL - TONNEAU RELEASE | |
| 9 | X-6080-0134-XXXX | TAPE | |
| 10 | A-27X0-0632 | SEAL - TONNEAU PANEL | |
| 11 | V-27X0-2428 | STPKR - LATCH | 16407907 |
| 12 | X-6080-1736-KZXX | NUT & WSHR ASSY | |
| 13 | X-6080-2484-KZDX | RIVET (1/8 x .187) | |
| 14 | V-27X0-2835 | BRKY - NO S BOW RELEASE | 12388821 |
| 15 | A-27X0-2832 | APPLIQUE ASSY - TONNEAU OUTER | 12808201 |
| 16 | X-6080-0186-AXXX | ADHESIVE - WEATHERSTRIP | |
| 17 | A-27X0-2840 | PROTECTOR - LID FOLD/DOWN TOP | |
| 18 | X-6080-0071-KYXX | SCR & WSHR ASSY (8 - 18 x .78) | |
| 19 | W-27X0-2680 | SWITCH - TONNEAU RELEASE | 12900474 |
| 20 | A-27X0-2688 | COVER - SWITCH TONNEAU RELEASE | 12510073 |
| 21 | X-6080-1716-KZTX | SCREW (M4.2 x 1.41 x 11.0) | 20423380 |
| 22 | X-6080-1108-XXXX | NUT | |
| 23 | A-27X0-0707 | HARNES ASSY - TONNEAU RELEASE | |
| 24 | X-6080-2813-XXXX | STRAP | |
| 25 | X-6080-2480-XXXX | CLIP - TUBE | 12388834 |
| 26 | A-27X0-8881 | HANDLE ASSY - NO S BOW RELEASE | 12388833 |

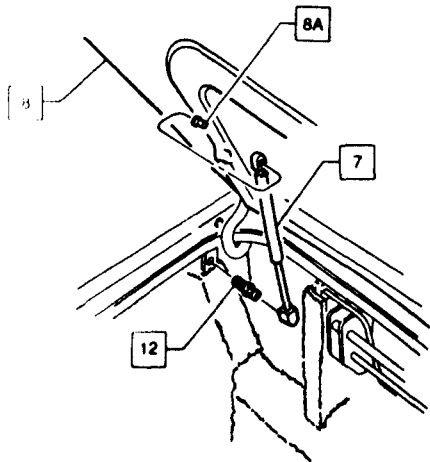
DRAWING RELEASED 1-25-91

| | | | | | | |
|---|-----|---|------|--|----|-----|
| PCN | LEV | REVISIONS | DATE | DR | CK | APP |
| | | ASC Incorporated Graphics Department Engineering Center Southgate (Birmingham) 48116 | | 1-25-91 J. BIRD MONTGOMERY C. WEBB S. BRADSHAW | | |
| 1991.5 "F" BODY CONVERTIBLE TONNEAU ASSEMBLY | | | | | | |
| A-27X0-4960-AXXX SHEET 6A | | | | | | |

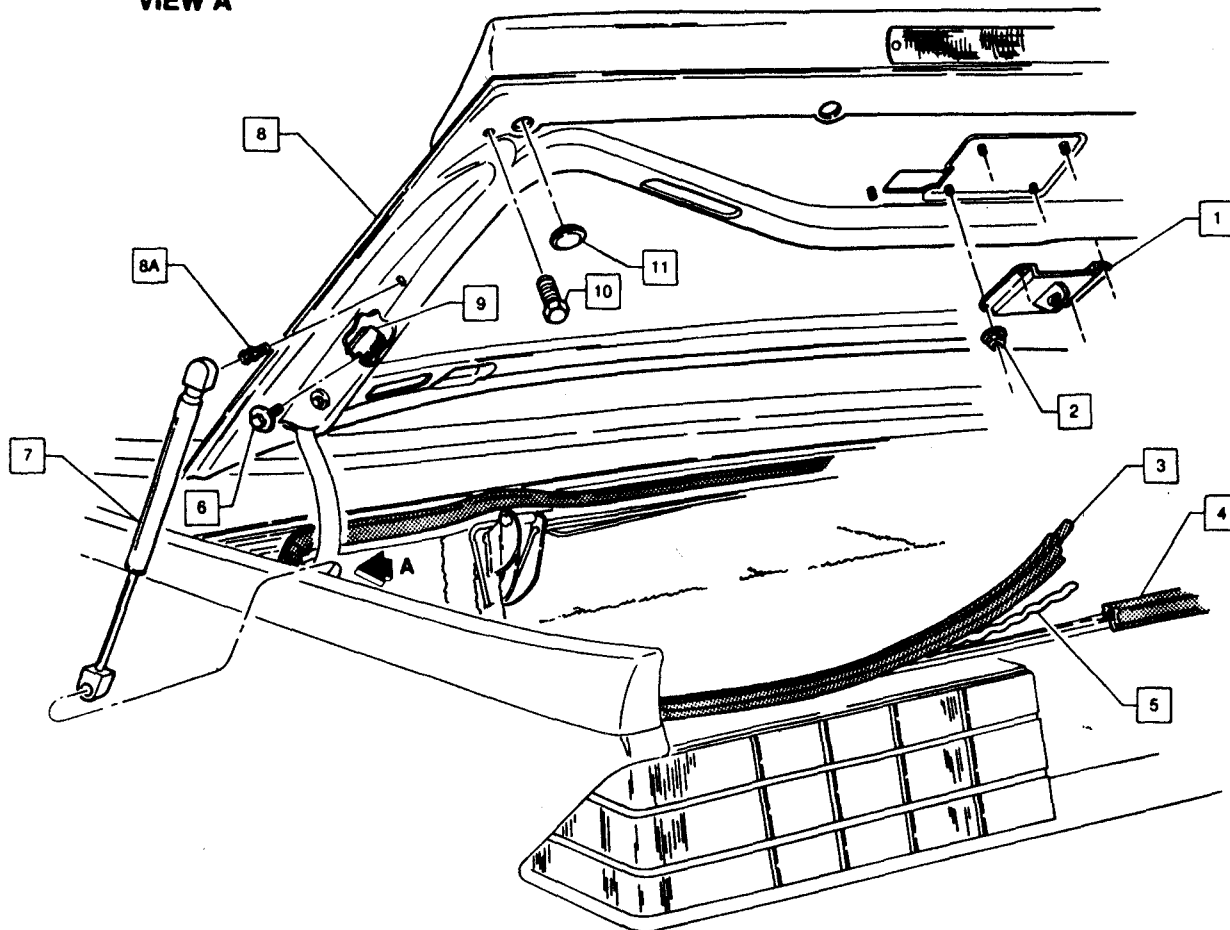
| Ref | ASC Part No | Description | GM |
|-----|------------------------|------------------------------------|----------|
| 1 | S - 27X0 - 2419 | LABEL - DECK LID OPENING | 12397830 |
| 2 | 2 - 27X0 - 3404 | LABEL - JACK INSTRUCTIONS | 10878364 |
| 3 | A - 27X0 - 5199 | LABEL - SPARE TIRE CVR REMOVAL | |
| 4 | T - 27X0 - 0522 | HINGE ASSY - TONNEAU PANEL | 12394821 |
| 5 | U - 27X0 - 2492 | TORS BAR ASSY - TONNEAU HINGE (RH) | 12396420 |
| | U - 27X0 - 2493 | (LH) | 12396421 |
| 6 | T - 27X0 - 3089 | BAR - TONNEAU PNL ASSY HINGE | 12331737 |
| 7 | X - 0080 - 1808 - XXXX | BUSHING | 12800838 |
| 8 | X - 0080 - 1971 - XXXX | BUMPER - RUBBER | |
| 9 | X - 0080 - 1729 - XXXX | BOLT (1/4 - 20 x .82) | |
| 10 | T - 27X0 - 0356 | PLATE - TONNEAU HINGE MTO (RH) | 12331736 |
| | T - 27X0 - 0357 | (LH) | 12331736 |
| 11 | X - 0080 - 1963 - XXXX | CAP | 12397177 |
| 12 | X - 0080 - 0282 - XXXX | NUT & WSHR ASSY | |
| 13 | X - 0080 - 1804 - XXXX | BOLT (M6 x 1.9 x 30.0) | 12800837 |



| | | | | | |
|---|------|--|---------|-----|-----|
| PCB | FILE | DRAWING RELEASED | 1-25-91 | JK | APP |
| | | REVISIONS | DATE | CHK | APP |
| | | ASC Incorporated Graphics Department Engineering Center Bourington, Michigan 48108 | 1-25-91 | JK | APP |
| TITLE 1991.5 "F" BODY CONVERTIBLE DECK LID LABELS AND HINGE ASSEMBLY - TONNEAU | | ILLUSTRATED BY: J. KIMM CHECKED BY: C. ALLEN DESIGNED BY: C. WEBER DRAWING BY: A. WOODSON | | | |
| REV NUMBER A-27X0-4960-AXXX | | SHEET SHEET6B | | | |



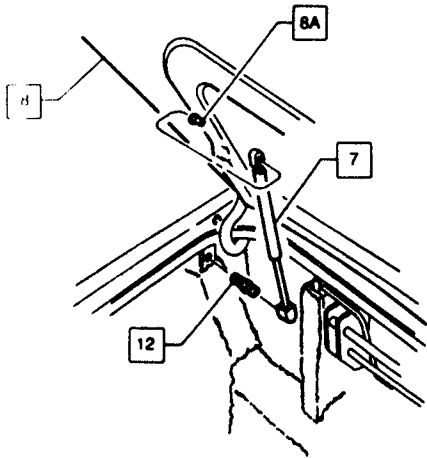
VIEW A



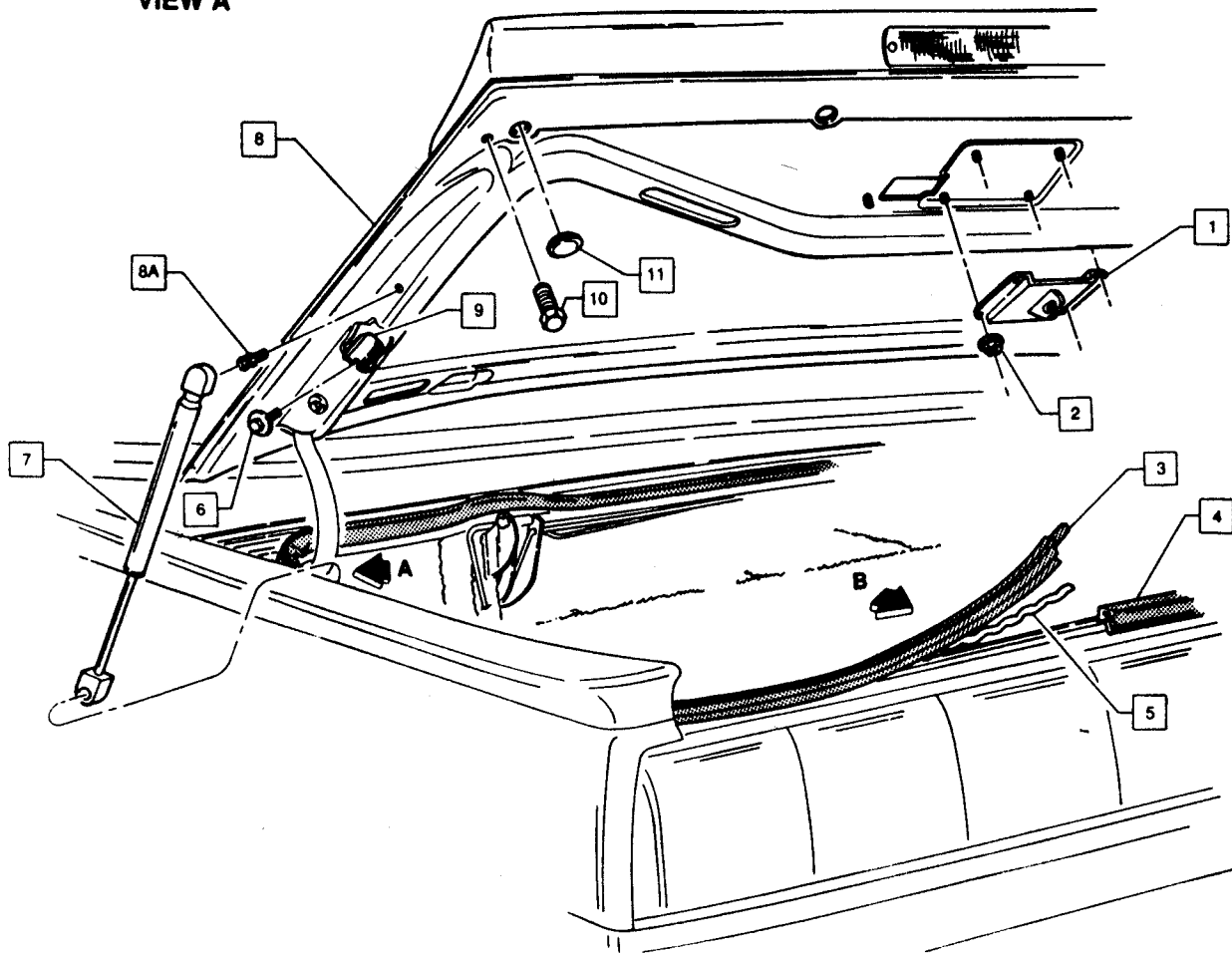
| Ref | ASC Part No | Description | GM |
|-----|------------------------|------------------------------------|----------|
| 1 | Z - 27X0 - 8590 | STRIKER - DECK LID | 20478882 |
| 2 | X - 0050 - 0252 - KZZX | NUT & WSHR ASSY | |
| 3 | W - 27X0 - 0252 | PLUG - DECK LID (OPTIONAL) | 12904728 |
| 4 | S - 2FK0 - 0630 | SEAL - DECK LID PANEL | 12331744 |
| 5 | X - 0050 - 0188 - AXXX | ADHESIVE - WEATHERSTRIP | |
| 6 | X - 0050 - 1725 - XWTX | SCR & WSHR ASSY (5/16 - 18 x 1.00) | |
| 7 | W - 27X0 - 3186 | GAS STRUT ASSY - DECK LID SUPPORT | 12904761 |
| 8 | W - 27X0 - 7219 | PANEL ASSEMBLY - DECK LID | |
| A | X - 0050 - 1138 - XZUX | STUD - BALL (M8.05 x 5/16 - 18) | 12388886 |
| 9 | X - 0050 - 1661 - KZZX | NUT - U TYPE | |
| 10 | A - 27X0 - 2678 | BUMPER - DECK LID OVERSLAM | 10110656 |
| 11 | X - 0050 - 1284 - XXXX | PLUG - FLUSH BUTTON | 20533021 |
| 12 | X - 0050 - 1138 - XZUX | STUD - BALL (M8.05 x 5/16 - 18) | 12388886 |

| | | | |
|------------------|-----|---------|----|
| DRAWING RELEASED | | 1-88-01 | JK |
| PCR | LET | DATE | DR |
| REVISIONS | | DATE | DR |
| COMPLETION DATE | | DATE | DR |
| 1-88-01 | | DATE | DR |
| ILLUSTRATED BY | | DATE | DR |
| J. RING | | DATE | DR |
| TRACE HELD BY | | DATE | DR |
| MONTGOMERY | | DATE | DR |
| CHECKED BY | | DATE | DR |
| C. WEBER | | DATE | DR |
| APPROVED BY | | DATE | DR |
| S. BETHAM | | DATE | DR |

TITLE: 1991.5 "F" BODY CONVERTIBLE DECK LID ASSEMBLY (CAMARO)
 A-27X0-4050-AXXX SHEET 6C



VIEW A



| Ref | ASC Part No | Description: | GM |
|-----|------------------------|-----------------------------------|----------|
| 1 | 2 - 27X0 - 0000 | STRIKER - DECK LID | 29476992 |
| 2 | X - 0000 - 0200 - XZZX | MUT & WSHR ASSY | |
| 3 | W - 27X0 - 0200 | PLUG - DECK LID (OPTIONAL) | 12904728 |
| 4 | S - 27X0 - 0030 | SEAL - DECK LID PANEL | 12331744 |
| 5 | X - 0000 - 0100 - AXXX | ADHESIVE - WEATHERSTRIP | |
| 6 | X - 0000 - 1720 - XWTX | SCR & WSHR ASSY (5/16 - 18 ± 1.0) | |
| 7 | W - 27X0 - 3100 | GAS STRUT ASSY - DECK LID SUPPORT | 12504781 |
| 8 | W - 27X0 - 7210 | PANEL ASSY - DECK LID | |
| A | X - 0000 - 1130 - XZUX | STUD - BALL (M8.05 x 5/16 - 18) | 12200005 |
| 9 | X - 0000 - 1001 - XZZX | MUT - U TYPE | |
| 10 | A - 27X0 - 2070 | BUMPER - DECK LID OVERBLAM | 10110056 |
| 11 | X - 0000 - 1204 - XXXX | PLUG - FLUSH BUTTON | 20003021 |
| 12 | X - 0000 - 1130 - XZUX | STUD - BALL (M8.05 x 5/16 - 18) | 12200005 |

DRAWING RELEASED

| | | | | | | |
|-----|-----|-----------|------|----|----|-----|
| PCR | LET | REVISIONS | DATE | DR | CK | APP |
| | | | | | | |

1-28-91

ASC Incorporated
Graphs & Department
Engineering Center
Troy, Michigan 48068

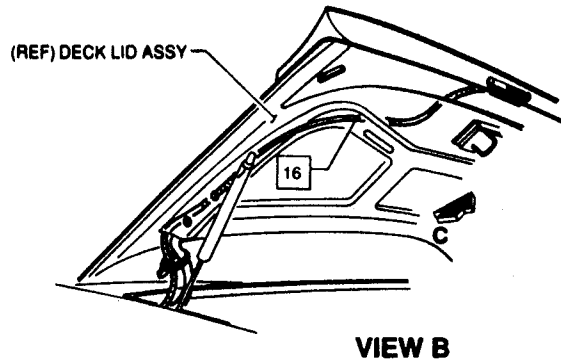
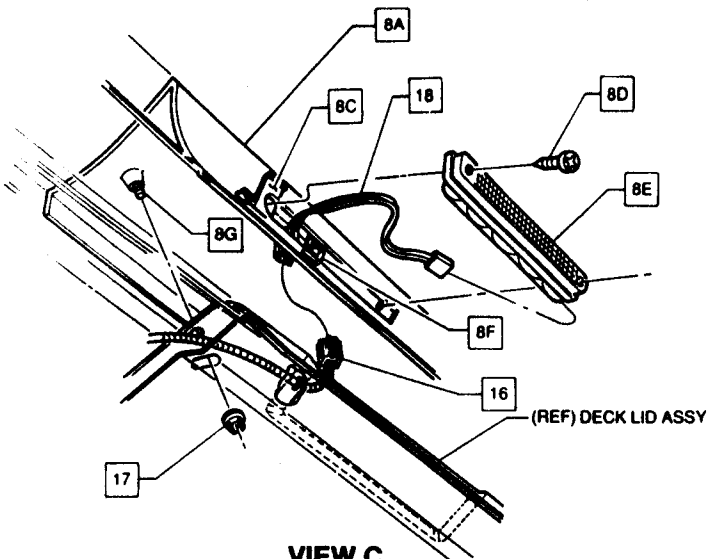
COMPLETED BY
1-28-91
J. KING

TITLE
**1991.5 "F" BODY CONVERTIBLE
DECK LID ASSEMBLY (FINE BIRD)**

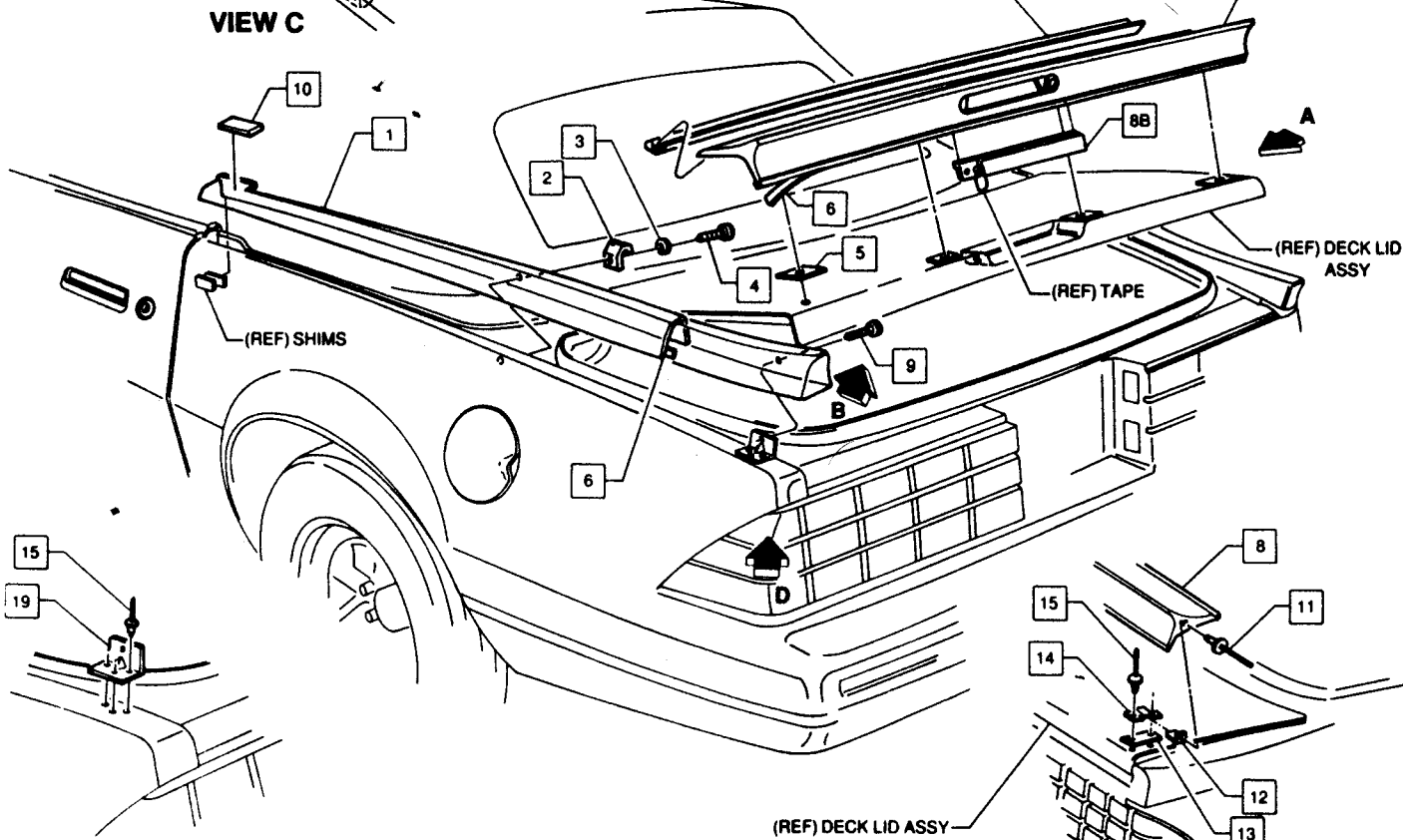
DESIGNED BY
C. WEBER

DRAWN BY
S. BRADSHAW

A-27X0-0960-AYXX SHEET 6D



VIEW B



VIEW C

VIEW D

VIEW A

| Ref | ASC Part No | Description | GM |
|-----|------------------------|------------------------------------|------------|
| 1 | W - 27X0 - 0830 | CAP - QTR BELT MLDG (RH) | |
| 2 | W - 27X0 - 0831 | (LH) | |
| 3 | T - 27X0 - 2679 | BUMPER - DECK LID PANEL STABILIZER | 12231747 |
| 4 | X - 0090 - 0207 - XYWX | WASHER | 114906 L/F |
| 5 | X - 0090 - 1864 - XZTX | SCR & WSHR ASSY (8 - 18 x 1.25) | 12909391 |
| 6 | X - 0090 - 0376 - AKXX | SOUND PAD - MORTELL | |
| 7 | X - 0090 - 0363 - CKXX | TAPE - ACRYLIC | |
| 8 | V - 27X0 - 8906 | WELT - SPOILER ISOLATOR | 12231989 |
| 9 | V - 27X0 - 7896 | SPOILER ASSY - DECK LID | |
| A | V - 27X0 - 7895 | SPOILER ASSY - PRIMED | |
| B | U - 27X0 - 2272 | REINF - CHMSL STRAP | |
| C | U - 27X0 - 0518 | BRKT - CHMSL MTO | |
| D | X - 0090 - 0094 - XYWX | SCREW (8 - 18 x 1.25) | |
| E | T - 27X0 - 0482 | LAMP ASSY - CHMSL | 919872 |
| F | X - 0090 - 0867 - XZTX | NUT - "U" TYPE | 03634821 |
| G | V - 27X0 - 7488 | STUD ASSY - SPOILER MTO | |
| X | X - 0090 - 0071 - XYWX | SCR & WSHR ASSY (8 - 18 x .75) | |
| 10 | A - 27X0 - 0802 | PROTECTOR - STRIP (RH) | 12509940 |
| A | A - 27X0 - 0803 | (LH) | 12509961 |
| 11 | X - 0090 - 3408 - XZDX | RIVET (1/8 x .250) | |
| 12 | V - 29X8 - 2187 | BRKY - EXTENSION MTO END | |
| 13 | X - 0090 - 0390 - BXXX | TAPE - POLYURETHANE | |
| 14 | T - 21X4 - 8406 | BRKT - ROOF CAP | 12909189 |
| 15 | X - 0090 - 0320 - XXXX | RIVET (1/8 x .125) | |
| 16 | U - 27X0 - 0701 | HARNASS ASSY - CHMSL | 12909206 |
| 17 | X - 0090 - 0282 - XZTX | NUT & WSHR ASSY | |
| 18 | A - 27X0 - 0337 | HARNASS - JUMPER WIRE CHMSL | |
| 19 | W - 27X0 - 3733 | BRKT - QTR BELT MLDG CAP RR | 12904784 |

SERVICE ONLY

| | | | | | |
|-----------------|----------------------------------|----------|----|----|----|
| W - 27X0 - 8983 | KIT - SPOILER ATTACHMENT | 12909119 | | | |
| CONSISTS OF: | | | | | |
| W - 27X0 - 8548 | INSTRUCTION - SPOILER ATTACHMENT | | | | |
| 8 | 11 | 12 | 13 | 14 | 18 |
| W - 27X0 - 8994 | KIT - SPOILER W/ATTACHMENTS | 12909390 | | | |
| CONSISTS OF: | | | | | |
| W - 27X0 - 8663 | KIT - SPOILER ATTACHMENTS | 12909119 | | | |
| 8A | | | | | |

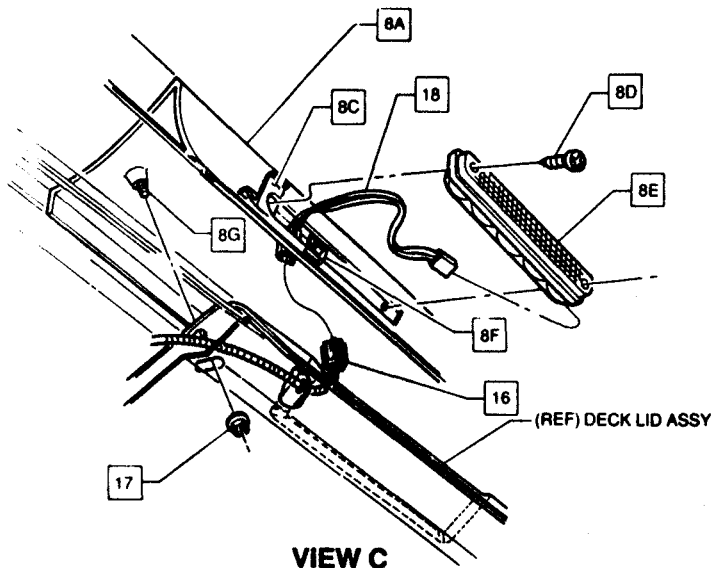
DRAWING RELEASED 1-25-91

asc
ASC Incorporated
Graphics Department
Engineering Center
Southgate, Michigan 48196

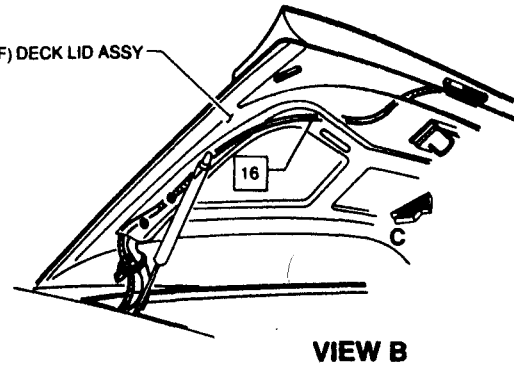
1991.5 "F" BODY CONVERTIBLE
SPOILER AND QUARTER BELT MOLDING ASSEMBLY (CAMARO)

A-27X0-4960-AXXX SHEET 6E

1-25-91
M. BOULAU
C. WOODR
S. DEWANE

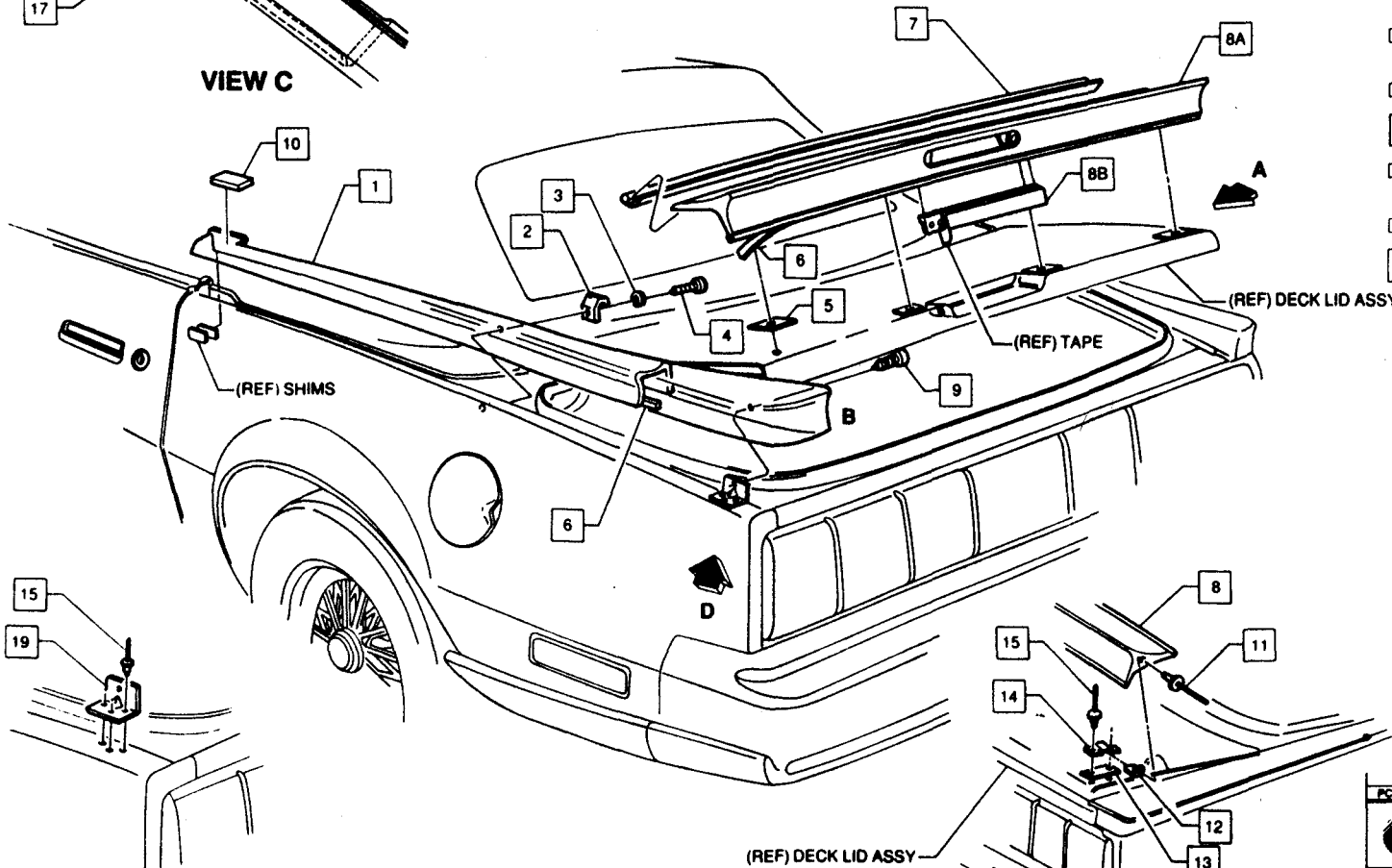


(REF) DECK LID ASSY



VIEW B

VIEW C



VIEW D

(REF) DECK LID ASSY

VIEW A

| Ref | ASC Part No | Description | GM |
|-----|------------------------|------------------------------------|------------|
| 1 | A - 2720 - 0630 | CAP - QTR BELT MLDG (RH) | 12010612 |
| | A - 2720 - 0631 | (LH) | 12010613 |
| 2 | T - 2720 - 2679 | BUMPER - DECK LID PANEL STABILIZER | 12231747 |
| 3 | X - 0080 - 0067 - KWYX | WASHER | 114088 L/F |
| 4 | X - 0080 - 1964 - KZTX | SCR & WSHR ASSY (8 - 18 x 1.25) | 1206381 |
| 5 | X - 0080 - 0375 - AXXX | SOUND PAD - MORTELL | |
| 6 | X - 0080 - 0383 - CXXX | TAPE - ACRYLIC | |
| 7 | V - 2720 - 6906 | WELT - SPOILER ISOLATOR | 12331866 |
| 8 | V - 2720 - 7885 | SPOILER ASSY - DECK LID | |
| A | V - 2720 - 7885 | SPOILER ASSY - PRIMED | |
| B | U - 2720 - 2272 | REHF - CHMSL STRAP | |
| C | U - 2720 - 0518 | BRKT - CHMSL MTO | |
| D | X - 0080 - 0094 - KWYX | SCREW (8 - 18 x 1.25) | |
| E | T - 2720 - 0482 | LAMP ASSY - CHMSL | 919872 |
| F | X - 0080 - 0867 - KZXX | NUT - U TYPE | 03634821 |
| G | V - 2720 - 7488 | STUD ASSY - SPOILER MTO | |
| 9 | X - 0080 - 0071 - KYNX | SCR & WSHR ASSY (8 - 18 x .75) | |
| 10 | A - 2720 - 0802 | PROTECTOR - STMP (RH) | 12509960 |
| | A - 2720 - 0803 | (LH) | 12509961 |
| 11 | X - 0080 - 3409 - KZDX | RIVET (1.8 x .250) | |
| 12 | V - 2918 - 3187 | BRKT - EXTENSION MTO END | |
| 13 | X - 0080 - 0290 - 8XXX | TAPE - POLYURETHANE | |
| 14 | T - 2114 - 8806 | BRKT - ROOF CAP | 12506106 |
| 15 | X - 0080 - 0320 - KXXX | RIVET (1.8 x .125) | |
| 16 | U - 2720 - 0701 | HARNESB ASSY - CHMSL | 12262205 |
| 17 | X - 0080 - 0282 - KZXX | NUT & WSHR ASSY | |
| 18 | A - 2720 - 0337 | HARNESB - JUMPER WIRE CHMSL | |
| 19 | W - 2720 - 3733 | BRKT - QTR BELT MLDG CAP RR | 12004764 |

SERVICE ONLY

W - 2720 - 8553 KIT - SPOILER ATTACHMENT 12506119

CONSISTS OF:

W - 2720 - 8665 INSTRUCTION - SPOILER ATTACHMENT

8 11 12 13 14 15

W - 2720 - 8556 KIT SPOILER W ATTACHMENTS 12506388

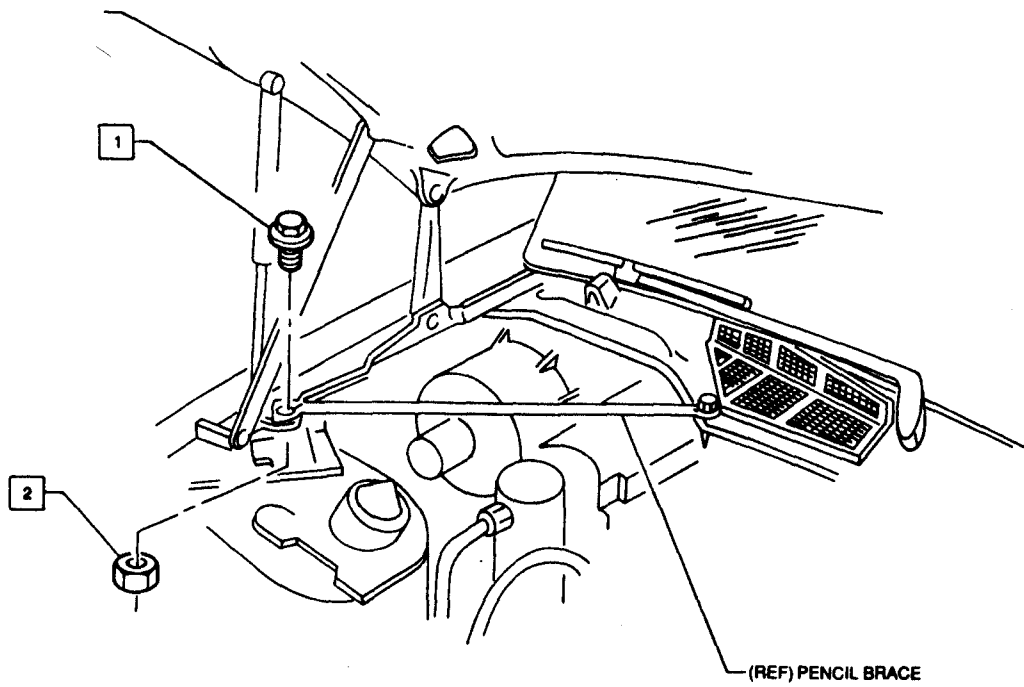
CONSISTS OF:

W - 2720 - 8593 KIT - SPOILER ATTACHMENTS 12506119


8A

| | | | | | | | |
|--|-----|---|------------------------------------|------|--------------------------|-----|-------------------------|
| PCB | LET | DRAWING RELEASED | 1-28-91 | DATE | DR | CHK | APP |
| | | REVISIONS | | | | | |
| | | ASC, Inc. (a subsidiary of) Chrysler & Department of Engineering (a division of) Submarine Manufacturing, GM Corp. | DESIGNED BY 1-28-91 M BOSLAU | | CHECKED BY MONTGOMERY | | |
| THIS DRAWING IS FOR THE 1991.5 "F" BODY CONVERTIBLE SPOILER AND QUARTER BELT MOLDING ASSEMBLY (FINISH) | | | | | | | APPROVED BY C. WEBER |
| A-27X0-4960-AXXX | | | | | | | SHEET 6F |

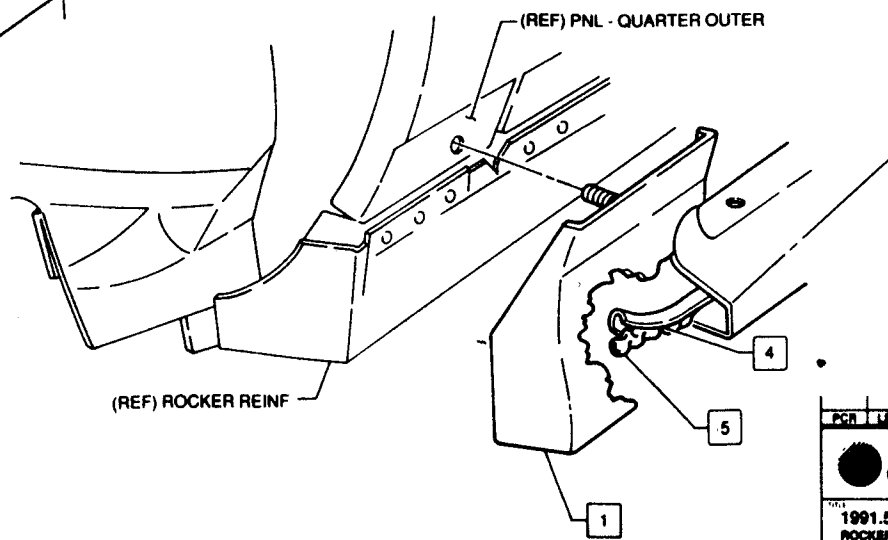
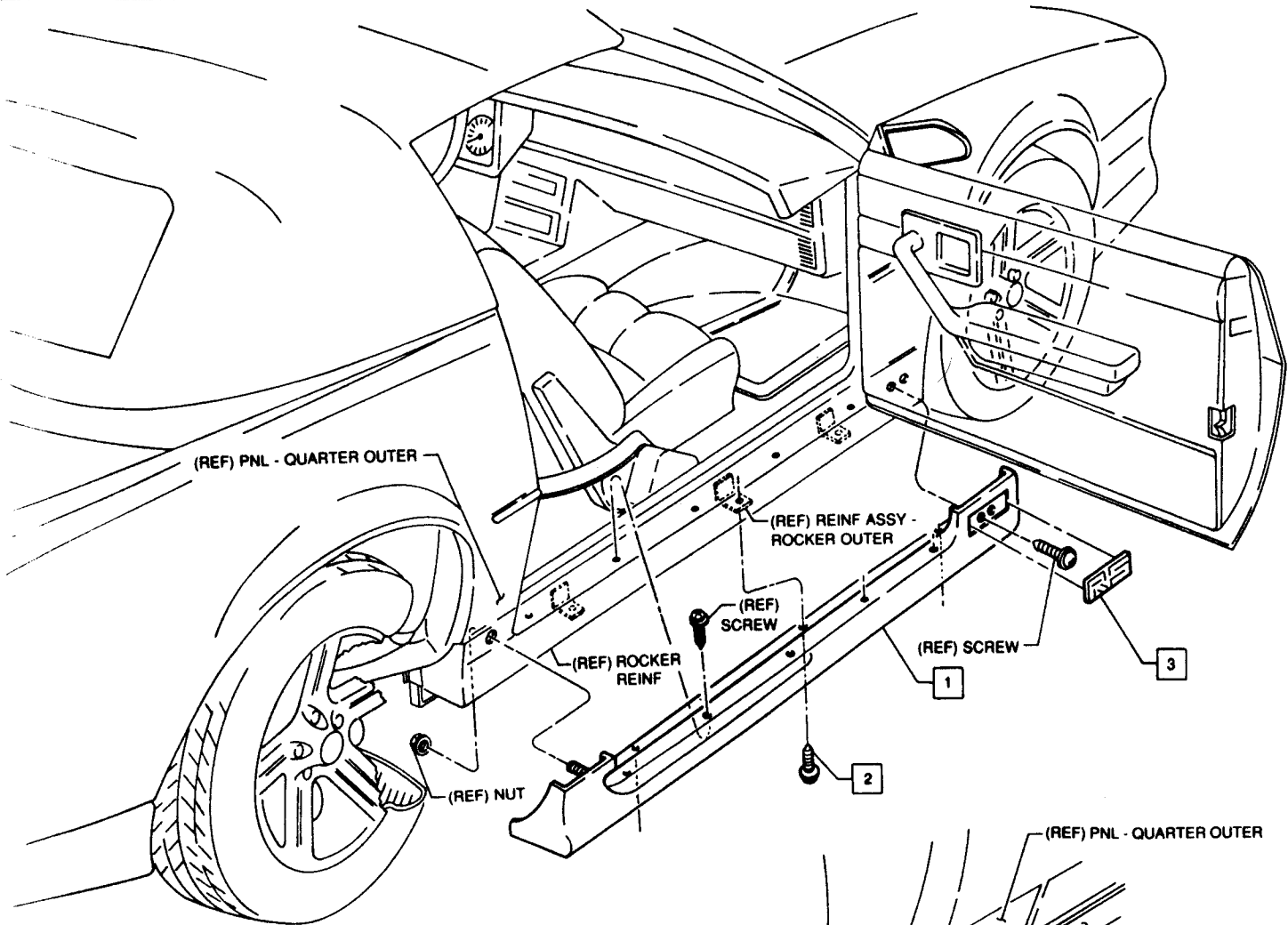
| Ref | ASC Part No | Description | GM |
|-----|------------------------|-----------------------------------|----------|
| 1 | X - 0090 - 0924 - XWYX | SCR & WSHR ASSY (M6 x 1.0 x 14.0) | 12506386 |
| 2 | X - 0090 - 1668 - XWNR | PNUT & WSHR ASSY | 11996329 |



FRT

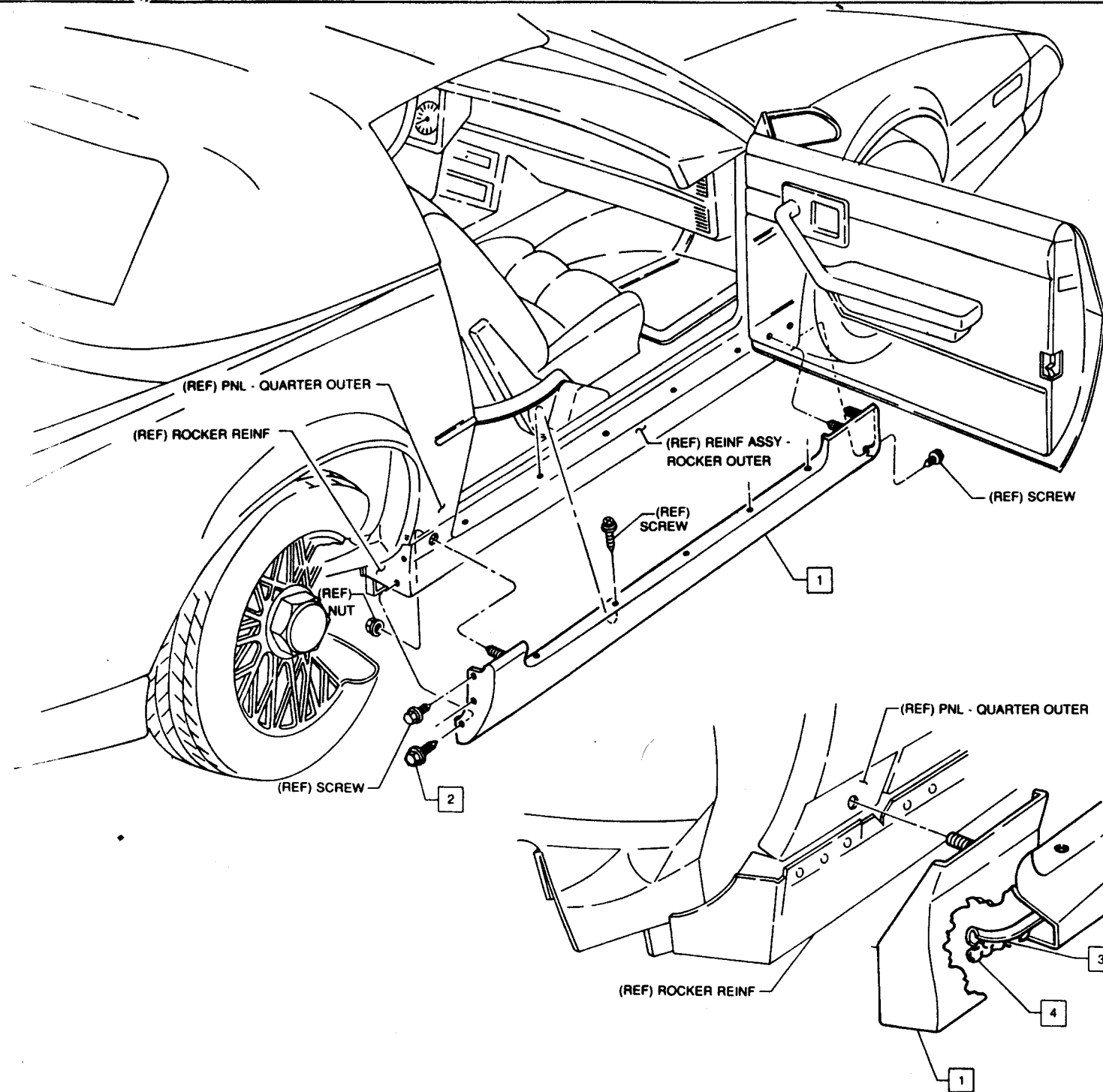

| | | | |
|--|-----------|--|----|
| DRAWING RELEASED | | 1-28-91 | JK |
| REV | REVISIONS | DATE | BY |
|  ASC Incorporated Graphics Department Engineering Center Birmingham, Alabama 35216 | | 1-28-91 | JK |
| 1991.5 "F" BODY CONVERTIBLE PENCIL BRACE INSTALLATION | | J. KING MONTGOMERY C. WISSE S. GIBSON | |
| A-27X0-4960-AXXX | | SHEET 6G | |


| Ref | ASC Part No | Description | GM |
|-----|------------------|--------------------------------|----------|
| 1 | A-27X0-3294 | MOLDING - ROCKER (RH) | |
| | A-27X0-3296 | (LM) | |
| 2 | X-6960-0173-KWBX | SCREW (8 - 18 x 50) | 30004199 |
| 3 | Z-27X0-3023 | EMBLEM ASSEMBLY - RKR PNL (RH) | |
| 4 | X-6960-0142-CXXX | ISOLATOR - STRIP | |
| 5 | X-6960-0199-AXXX | ADHESIVE - WHITE | |



| | | | | | | |
|---|-----|---|------|--|-----------------|-----|
| PCR | LET | DRAWING RELEASED | | 1-28-91 | KS | REV |
| | | REVISIONS | DATE | DR | CK | APP |
| | | <small>ASC is a registered trademark of the ASC Corporation. Engineering Center, Lansing, Michigan 48916.</small> | | <small>FORM 9100-001</small> <small>1-88-91</small> <small>ILLUSTRATED BY</small> <small>K. STOUT</small> <small>MADE BY</small> <small>T. BILLYBORN</small> <small>DESIGNED BY</small> <small>C. WEBER</small> <small>APPROVED BY</small> <small>S. BERSON</small> | | |
| 1991.5 "F" BODY CONVERTIBLE ROCKER MOLDINGS (CAMARO) | | | | | | |
| A-27X0-4960 AXXX | | | | | SHEET 6H | |

| Ref | ASC Part No | Description | GM |
|-----|------------------|-----------------------|----------|
| 1 | A-2700-3254 | MOLDING - ROCKER (RH) | |
| | A-2700-3256 | (LH) | |
| 2 | X-0090-0173-KWSX | SCREW (8-18 x .50) | 20004100 |
| 3 | X-0090-0142-C1RX | ISOLATOR - STRIP | |
| 4 | X-0090-0100-AXXX | ADHESIVE - W/STR | |



| DRAWING RELEASED | | DATE | DR | CHK | APP |
|---|-----|------|----|-----|-----|
| PCR | LET | | | | |
|  | | | | | |
| 1991.5 "F" BODY CONVERTIBLE ROCKER MOLDINGS (PINEBRO) | | | | | |
| A-27X0-4960-AXXX SHEET 6J | | | | | |