


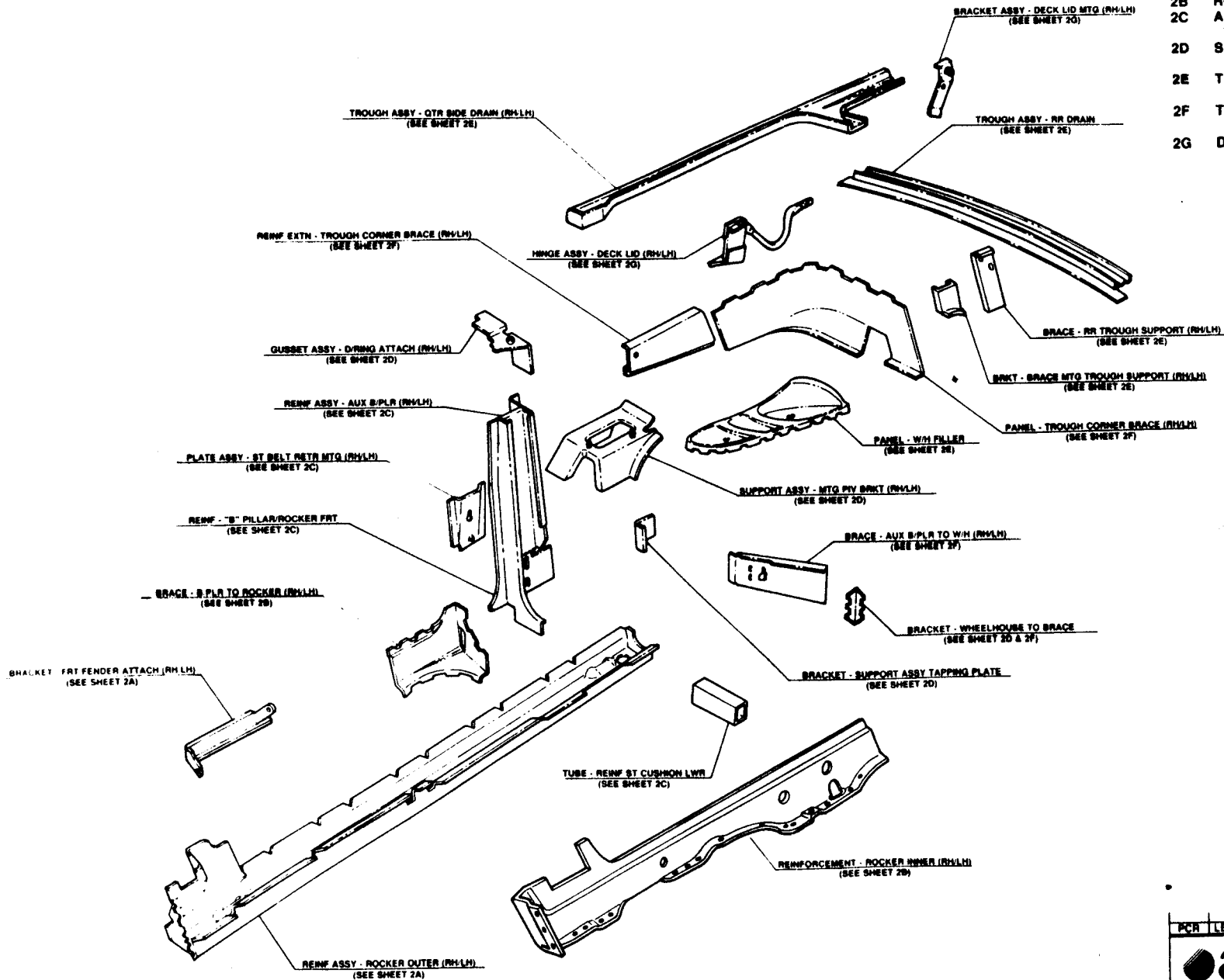
SECTION	TITLE
1	CONTENTS
2	STRUCTURE COMPONENTS
3	SEALING
4	TOP STACK COMPLETE
5	INTERIOR TRIM
6	EXTERIOR TRIM

INCL

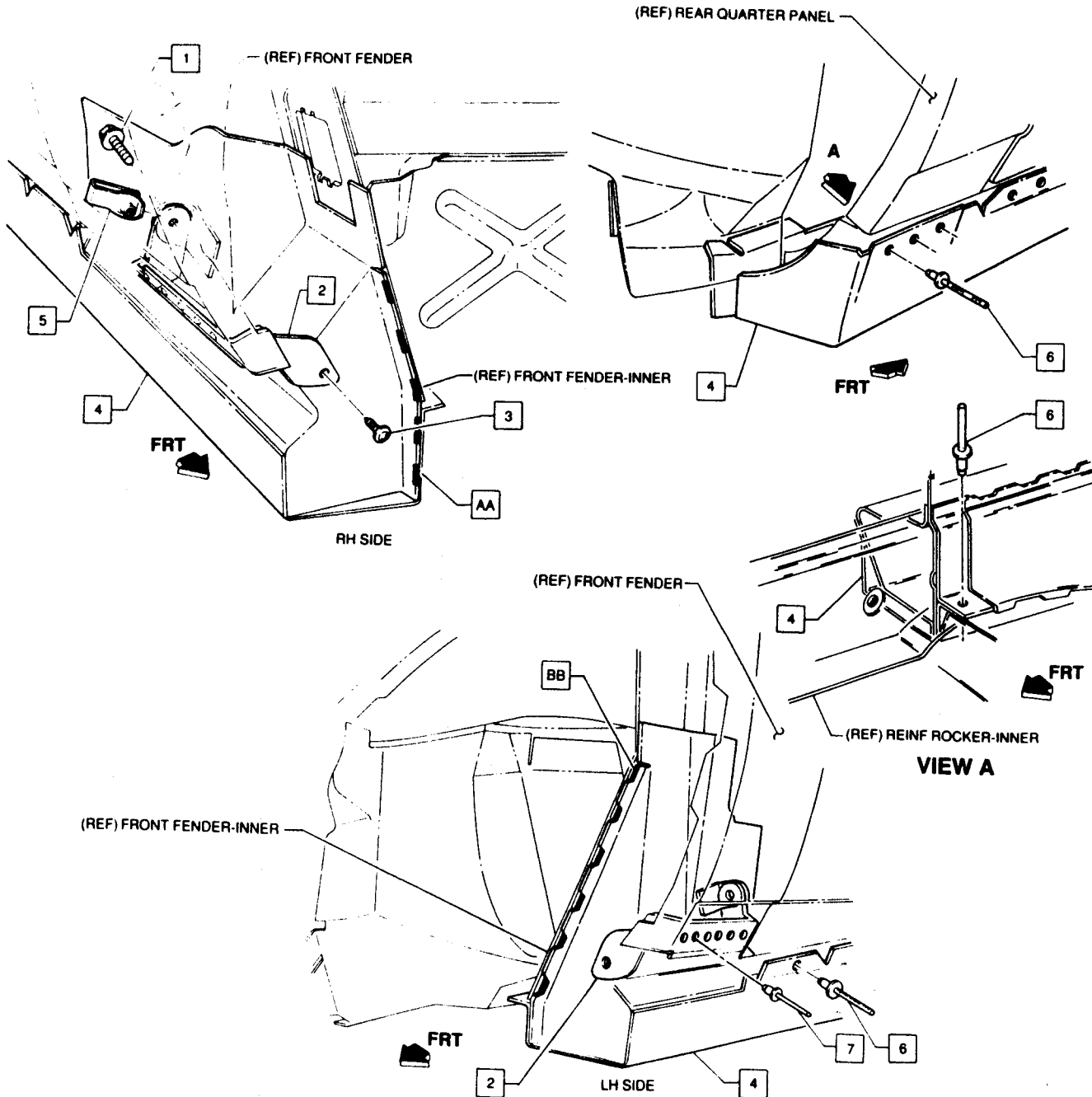
1991.5 UPDATE

DRAWING RELEASED		DATE
BY	REVISION	DATE
 asc Incorporated Engineering Department Engineering Center Northridge, California 91329		1-75-01 1-75-02 1-75-03 1-75-04 1-75-05 1-75-06 1-75-07 1-75-08 1-75-09 1-75-10 1-75-11 1-75-12 1-75-13 1-75-14 1-75-15 1-75-16 1-75-17 1-75-18 1-75-19 1-75-20 1-75-21 1-75-22 1-75-23 1-75-24 1-75-25 1-75-26 1-75-27 1-75-28 1-75-29 1-75-30 1-75-31 1-75-32 1-75-33 1-75-34 1-75-35 1-75-36 1-75-37 1-75-38 1-75-39 1-75-40 1-75-41 1-75-42 1-75-43 1-75-44 1-75-45 1-75-46 1-75-47 1-75-48 1-75-49 1-75-50 1-75-51 1-75-52 1-75-53 1-75-54 1-75-55 1-75-56 1-75-57 1-75-58 1-75-59 1-75-60 1-75-61 1-75-62 1-75-63 1-75-64 1-75-65 1-75-66 1-75-67 1-75-68 1-75-69 1-75-70 1-75-71 1-75-72 1-75-73 1-75-74 1-75-75 1-75-76 1-75-77 1-75-78 1-75-79 1-75-80 1-75-81 1-75-82 1-75-83 1-75-84 1-75-85 1-75-86 1-75-87 1-75-88 1-75-89 1-75-90 1-75-91 1-75-92 1-75-93 1-75-94 1-75-95 1-75-96 1-75-97 1-75-98 1-75-99 1-75-100
1991.5 "F" BODY CONVERTIBLE CONTENTS		1-75-01 1-75-02 1-75-03 1-75-04 1-75-05 1-75-06 1-75-07 1-75-08 1-75-09 1-75-10 1-75-11 1-75-12 1-75-13 1-75-14 1-75-15 1-75-16 1-75-17 1-75-18 1-75-19 1-75-20 1-75-21 1-75-22 1-75-23 1-75-24 1-75-25 1-75-26 1-75-27 1-75-28 1-75-29 1-75-30 1-75-31 1-75-32 1-75-33 1-75-34 1-75-35 1-75-36 1-75-37 1-75-38 1-75-39 1-75-40 1-75-41 1-75-42 1-75-43 1-75-44 1-75-45 1-75-46 1-75-47 1-75-48 1-75-49 1-75-50 1-75-51 1-75-52 1-75-53 1-75-54 1-75-55 1-75-56 1-75-57 1-75-58 1-75-59 1-75-60 1-75-61 1-75-62 1-75-63 1-75-64 1-75-65 1-75-66 1-75-67 1-75-68 1-75-69 1-75-70 1-75-71 1-75-72 1-75-73 1-75-74 1-75-75 1-75-76 1-75-77 1-75-78 1-75-79 1-75-80 1-75-81 1-75-82 1-75-83 1-75-84 1-75-85 1-75-86 1-75-87 1-75-88 1-75-89 1-75-90 1-75-91 1-75-92 1-75-93 1-75-94 1-75-95 1-75-96 1-75-97 1-75-98 1-75-99 1-75-100
A-27X0-4960-AXXX		SHEET 1

SHEET	TITLE
2	CONTENTS - STRUCTURE/WELDING
2A	ROCKER OUTER REINFORCEMENT
2B	ROCKER INNER REINFORCEMENT
2C	AUXILIARY "B" PILLAR REINFORCEMENT- RETRACTOR MOUNTING PLATE
2D	SUPPORT BRACKETS AND GUSSET - D/RING ASSEMBLY
2E	TROUGH ASSEMBLY - QUARTER SIDE AND REAR
2F	TROUGH CORNER AND AUXILIARY "B" PILLAR BRACE
2G	DECK LID HINGE AND MOUNTING BRACKET



DRAWING RELEASED		1-25-91	MS
PCR	LET	REVISIONS	DATE DR CK TAP
asc.		ASC Incorporated Graphics Department Engineering Center Southgate Michigan 48196	
1991.5 "F" BODY CONVERTIBLE CONTENTS - STRUCTURE/WELDING			
A-27X0-4960-AXXX		SHEET 2	



Ref	ASC Part No	Description	GM
1	X - 0090 - 1922 - XWVX	SCR & WSHR ASSY (M6 X 1.0 X 20.0)	11922941
2	W - 27X0 - 0992	BRKT - FRONT FENDER ATTACHING (RH)	12994776
3	X - 0090 - 0993	(LH)	12994777
4	X - 0090 - 0173 - XWSX	SCREW (8 - 18 X 50)	20904109
4	A - 27X0 - 3642	REINF ASSY - ROCKER OUTER (RH)	12908448
4	A - 27X0 - 3643	(LH)	12908527
6	X - 0090 - 1303 - XZTX	NUT - U TYPE	11909719
6	X - 0090 - 2290 - XZTX	RIVET (263 X 625)	
7	X - 0090 - 0190 - XXXX	RIVET (1/8 X 375)	

WELD INFORMATION

SYM	TYPE	QTY	SIZE	CLASS	LOCATION
AA	MIG	5	1.0mm	B	4 TO (REF) FRONT FENDER - INNER
BB	MIG	2	1.0mm	B	4 TO (REF) FRONT FENDER - INNER

WELD CLASSIFICATION

A - FMVBS

B - STRUCTURAL

NOTE: ALL COMPONENTS MUST FIT NET TO 2 MM MAX. GAP TO SHEET METAL AT ALL MIG WELD LOCATIONS

SERVICE ONLY

W - 27X0 - 842/23	PKG - FRT FOR MODIFICATION (RVLH)	1299749/41
-------------------	-----------------------------------	------------

CONSISTS OF:

W - 27X0 - 8841	INSTR SHEET - FRT FOR MODIFICATION
-----------------	------------------------------------

2

LET	REVISIONS	DATE	CHK	APP



ASC Incorporated
11401 1/2 Department
Engineering 1, 2nd Floor
Southgate Michigan 48196

1991.5 "F" BODY CONVERTIBLE
ROCKER OUTER REINFORCEMENT

A-27X0-4960-AXXX SHEET 2A

1-25-91	DESIGNED BY	T. MCCRAKEN
12/27/90	ENGINEERED BY	C. WEBER
12/27/90	CHECKED BY	S. BENDIS

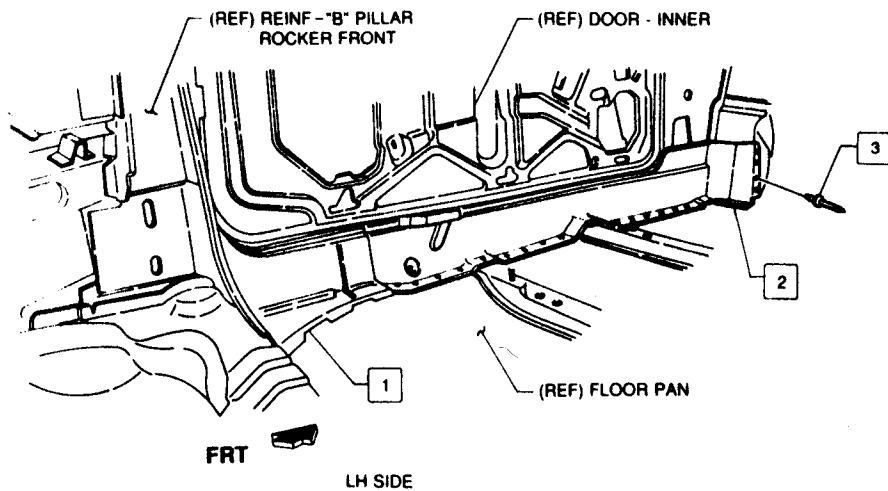
Ref	ASC Part No	Description	GM
1	W - 27X0 - 3980 (LM)	BRACE - B-PLR TO ROCKER (RH)	12604774
2	W - 27X0 - 7178 (LM)	REINF - ROCKER INNER (RH)	12604773
3	W - 27X0 - 7177 (LM)	REINF - ROCKER INNER (RH)	12607649
3	X - 0090 - 3292 - XZTX	RIVET (236 x .625)	12290529

WELD INFORMATION

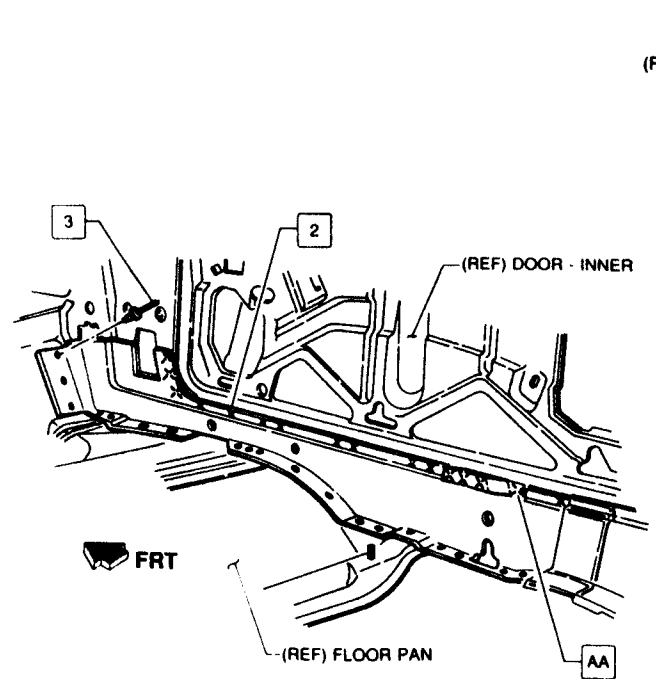
SYM	TYPE	QTY	SIZE	CLASS	LOCATION
AA	SPOT	16	—	B	2 TO (REF) ROCKER INNER
BB	MG	3	1.5mm	B	1 TO (REF) ROCKER INNER
CC	MG	2	1.5mm	B	1 TO 2
DD	MG	2	1.8mm	B	1 TO (REF) FLOOR PAN
EE	MG	2	1.8mm	B	1 TO (REF) REINF - B-PLR RKR FRNT

WELD CLASSIFICATION
A - FMVSS
B - STRUCTURAL

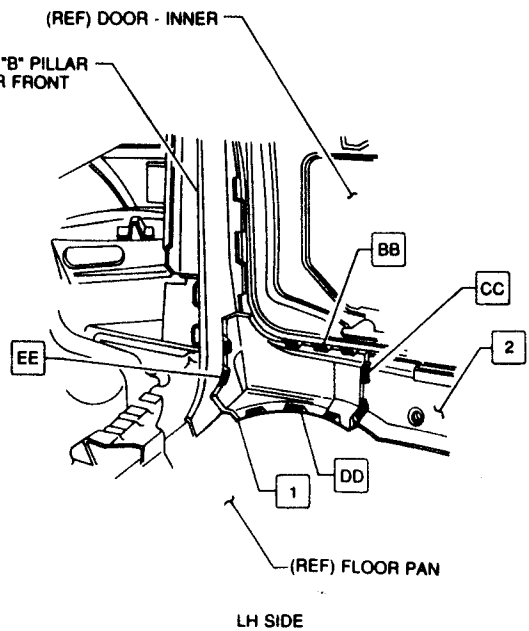
NOTE: ALL COMPONENTS MUST FIT NET TO 2MM MAX GAP TO SHEET METAL AT ALL MG WELD LOCATIONS



LH SIDE



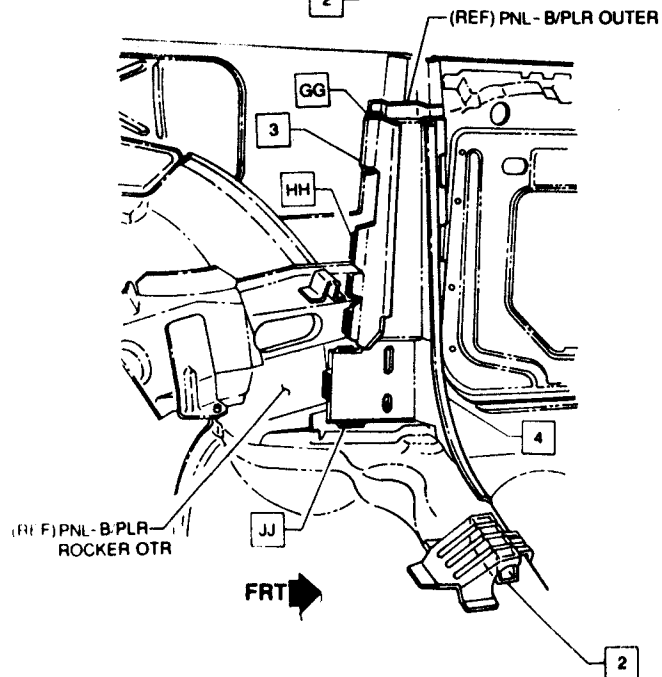
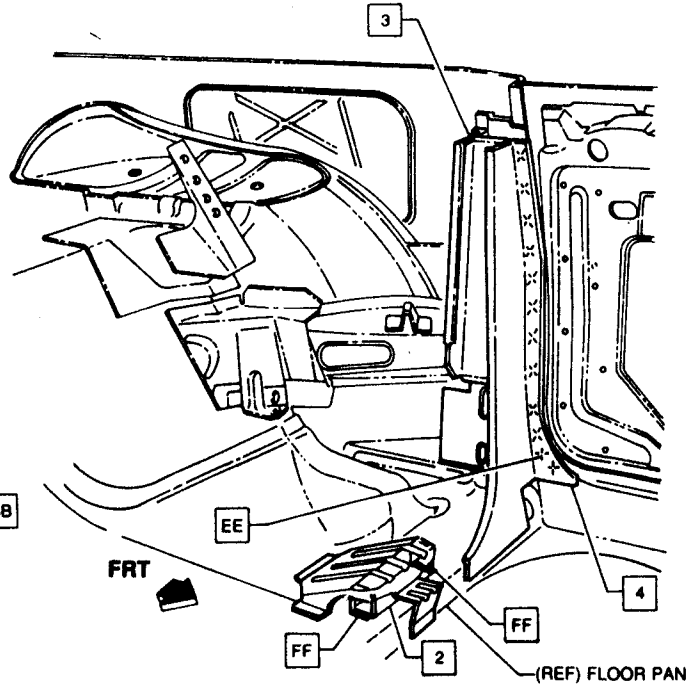
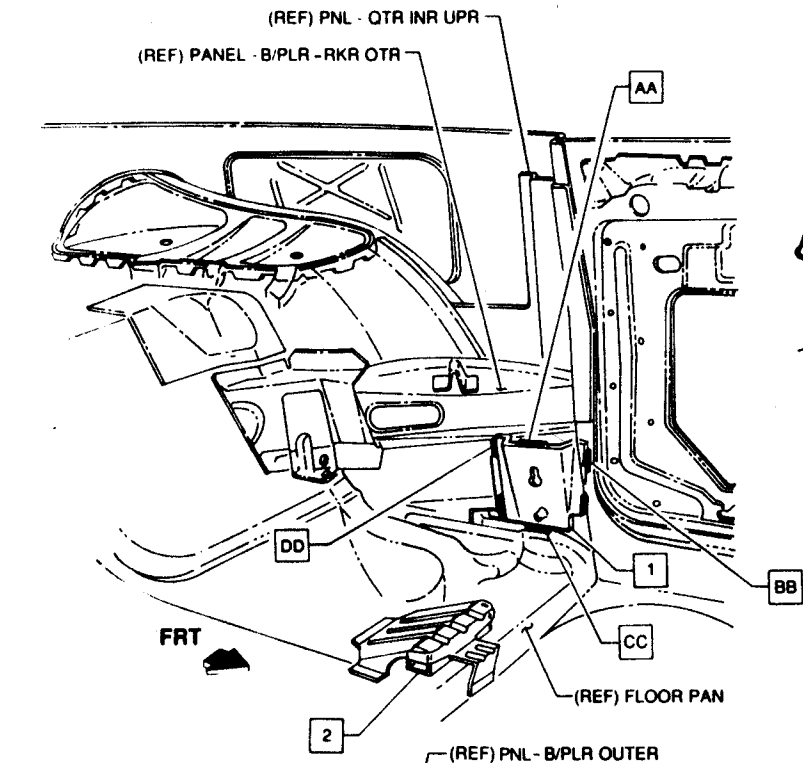
RH SIDE



LH SIDE

FRT

DRAWING RELEASED		1-26-91	MS
PCR	LET	DATE	DR
		Construction Dept 1-26-91 11/12/91 BY M BOLLAU CHECKED BY C WEBER APPROVED BY S DENISON	
1991.5 "F" BODY CONVERTIBLE ROCKER INNER REINFORCEMENT		TITLE	
A-27X0-4960-AXXX		SHEET 2B	



Ref	ASC Part No	Description	GM
1	W - 27X0 - 7414	PLATE ASSY - ST BELT RETR MTG (RH)	12904889
	W - 27X0 - 7415	(LM)	12904891
2	V - 27X0 - 6624	TUBE - REINF SEAT CUSHION LWR	12398188
3	T - 27X0 - 3582	REINF ASSY - AUX B/PLR (RH)	12398042
	T - 27X0 - 3583	(LM)	12398043
4	W - 27X0 - 3252	REINF - B/PLR ROCKER FRT (RH)	12905124
	W - 27X0 - 3253	(LM)	12905126

WELD INFORMATION

SYM	TYPE	QTY	SIZE	CLASS	LOCATION
AA	MG	1	1.5mm	A	1 TO (REF) PNL - B/PLR RKR OTR
BB	MG	2	1.5mm	B	1 TO (REF) PNL - QTR INR UPR
CC	MG	1	1.5mm	A	1 TO (REF) FLOOR PAN
DD	MG	2	1.5mm	B	1 TO (REF) PNL - B/PLR RKR OTR
EE	SPOT	12		B	4 TO (REF) PNL - B/PLR OTR
FF	MG	2	1.0mm	A	2 TO (REF) FLOOR PAN
GG	MG	2	1.5mm	A	3 TO (REF) PNL - B/PLR OTR
HH	MG	3	1.5mm	A	3 TO (REF) PNL - B/PLR RKR OTR
JJ	MG	2	1.5mm	B	2 TO (REF) PNL - B/PLR RKR OTR

WELD CLASSIFICATION
 A - FMVSS
 B - STRUCTURAL

NOTE: ALL COMPONENTS MUST FIT NET TO 2 MM MAX GAP TO SHEET METAL AT ALL MG WELD LOCATIONS

PCR	LET	REV	DATE	DR	CHK	APP
DRAWING RELEASED			1-29-91	108		
asc.			ASC Incorporated Graphics Department Engineering Center Warren, Michigan 48090		1-29-91 C. WOOD S. GOSWAMI	
1991.5 "F" BODY CONVERTIBLE AUXILIARY "B" PILLAR REINFORCEMENT - RETRACTOR MOUNTING PLATE						
A-27X0-4960-AXXX						SHEET 2C

Ref	ASC Part No	Description	GM
1	T - 27X0 - 2706	GUSSET - D/RING ATTACHING (RP)	12282801
	T - 27X0 - 2707	(LH)	12282802
2	A - 27X0 - 7606	SUPPORT ASSY - MTQ PIVOT BRKT (RD)	
	A - 27X0 - 7608	(LH)	
3	B - 27X0 - 1486	BRKT - SUPPORT ASSY TAPPING PLATE	12331731
4	T - 27X0 - 2824	BRKT - WHEELHOUSE TO BRACE	12431726

WELD INFORMATION

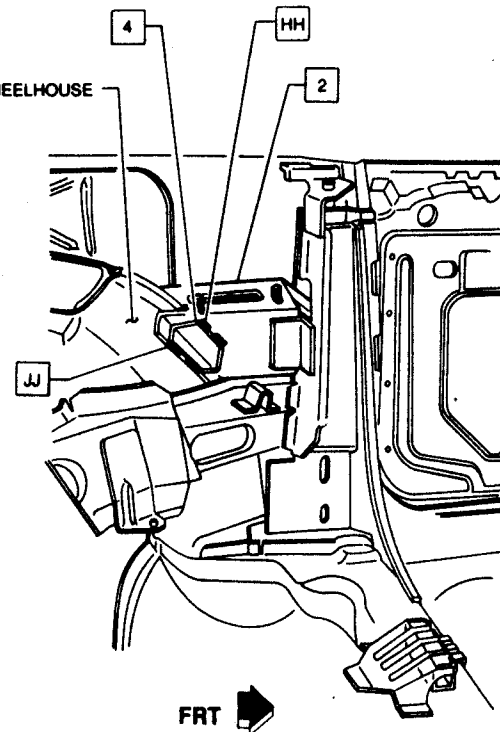
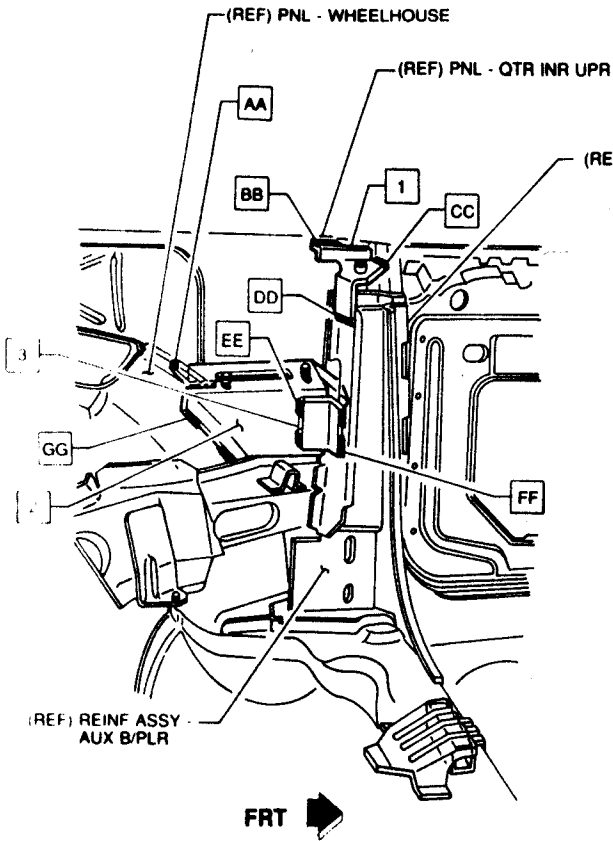
SYM	TYPE	QTY	SIZE	CLASS	LOCATION
AA	MG	1	1.6mm	B	2 TO (REF) PNL - WHEELHOUSE
BB	MG	1	1.6mm	B	1 TO (REF) PNL - QTR INR UPR
CC	MG	1	1.6mm	B	1 TO (REF) "B" P/LR
DD	MG	2	1.6mm	B	1 TO (REF) REINF ASSY - AUX B/PLR
EE	MG	1	2.6mm	B	3 TO 2
FF	MG	1	2.6mm	B	3 TO (REF) REINF ASSY - AUX B/PLR
GG	MG	2	1.5mm	B	2 TO (REF) PANEL - WHEELHOUSE
HH	MG	2	1.5mm	B	4 TO 2
JJ	MG	2	1.6mm	B	4 TO (REF) PANEL - WHEELHOUSE

WELD CLASSIFICATION

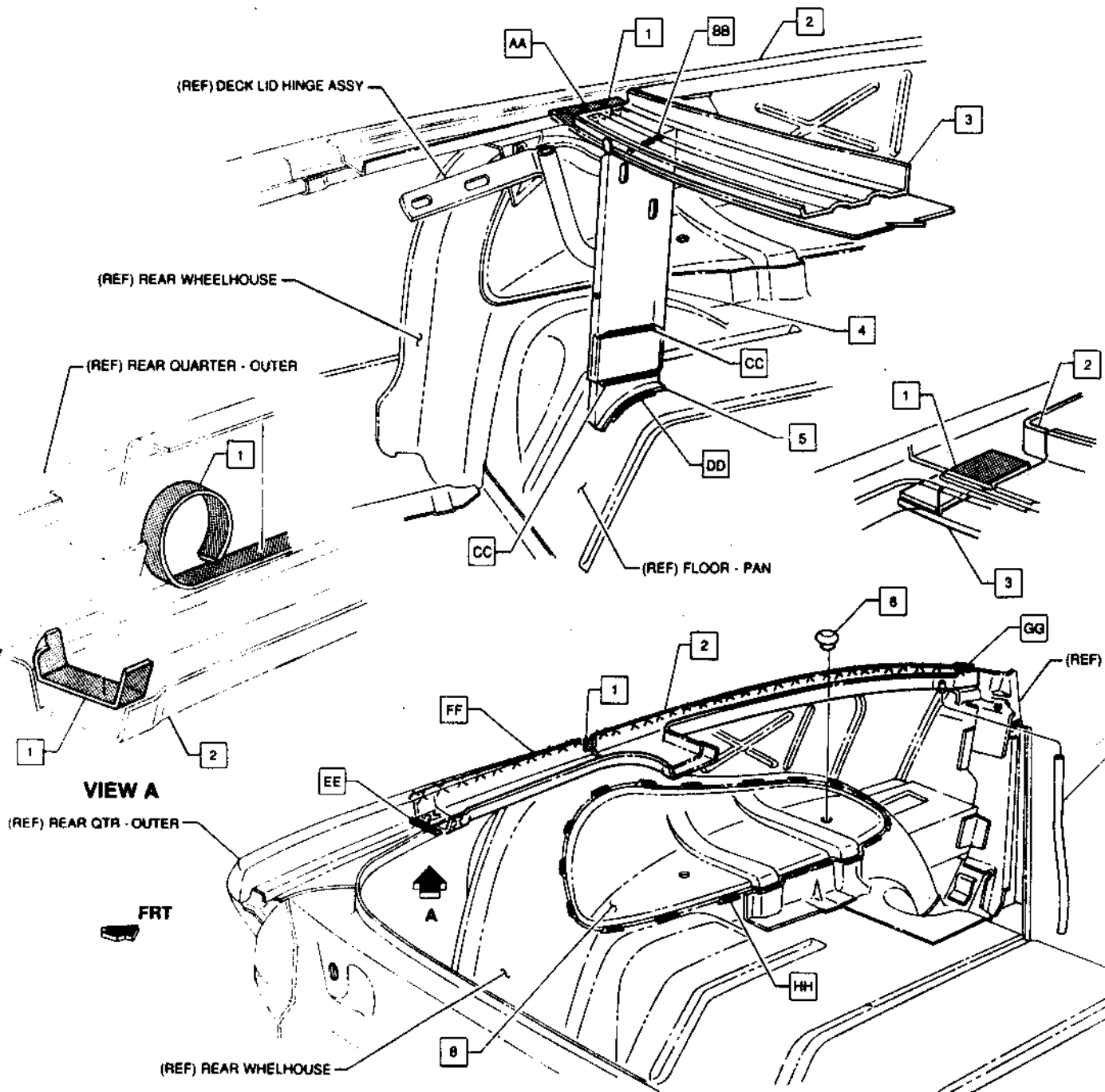
A - FINISH

B - STRUCTURAL

NOTE: ALL COMPONENTS MUST FIT NET TO 2 MM MAX GAP TO SHEET METAL AT ALL MG WELD LOCATIONS



PCR	LET	REVISIONS	DATE	DR	CK	APP
		Asc Incorporated Graphics Department Engineering Center Southgate, Michigan 48196	1-28-01	DW	CK	APP
1991.5 "F" BODY CONVERTIBLE SUPPORT BRACKETS AND GUSSET - D/RING ASSEMBLY						1-28-01 1-28-01 D WHEELS MONTGOMERY C WEBER APPROVED BY S. BISHOP
A-27X0-4960-AXXX						SHEET 2D



Ref	ASC Part No	Description	GM
1	X - 0080 - 0182 - AXXX	TAPE - WELD THRU	0801280
2	W - 2730 - 3152	TROUGH ASSY - QTR SIDE DRAIN (RH)	12804784
	W - 2730 - 3153	(LH)	12804786
3	B - 2730 - 3282	TROUGH ASSY - REAR DRAIN	12331713
4	T - 2730 - 8528	BRACE - REAR TROUGH SUPPORT (RH)	12304881
	T - 2730 - 8528	(LH)	12304883
5	U - 2730 - 2946	BRKT - BRACE MTO TROUGH SUPT (RH)	12304885
	U - 2730 - 2947	(LH)	12304886
6	X - 0080 - 1467 - XXXX	PLUG - RECESSED BUTTON HEAD	
7	A - 2730 - 3487	MOBE - DRAIN	12308848
8	T - 2730 - 7269	PANEL - WHEELHOUSE FILLER (RH)	12308851
	T - 2730 - 7267	(LH)	12308851

WELD INFORMATION

SYM	TYPE	QTY	SIZE	CLASS	LOCATION
AA	SPOT	8	—	B	2 TO 3
BB	MIG	1	2.0mm	B	3 TO 4
CC	MIG	2	2.0mm	B	4 TO 5
DD	MIG	1	2.0mm	B	8 TO (REF) FLOOR - PAN
EE	MIG	1	2.0mm	B	2 TO (REF) REAR QTR - QTR
FF	SPOT	22	—	B	2 TO (REF) REAR QTR - QTR
GG	MIG	1	1.0mm	B	2 TO (REF) "B" PILLAR
HH	MIG	1	1.6mm	B	8 TO (REF) REAR WHEELHOUSE

WELD CLASSIFICATION

- A - PHYS
- B - STRUCTURAL

NOTE: ALL COMPONENTS MUST FIT NET TO 2 MM MAX GAP TO SHEET METAL AT ALL MIG WELD LOCATIONS

DRAWING RELEASED

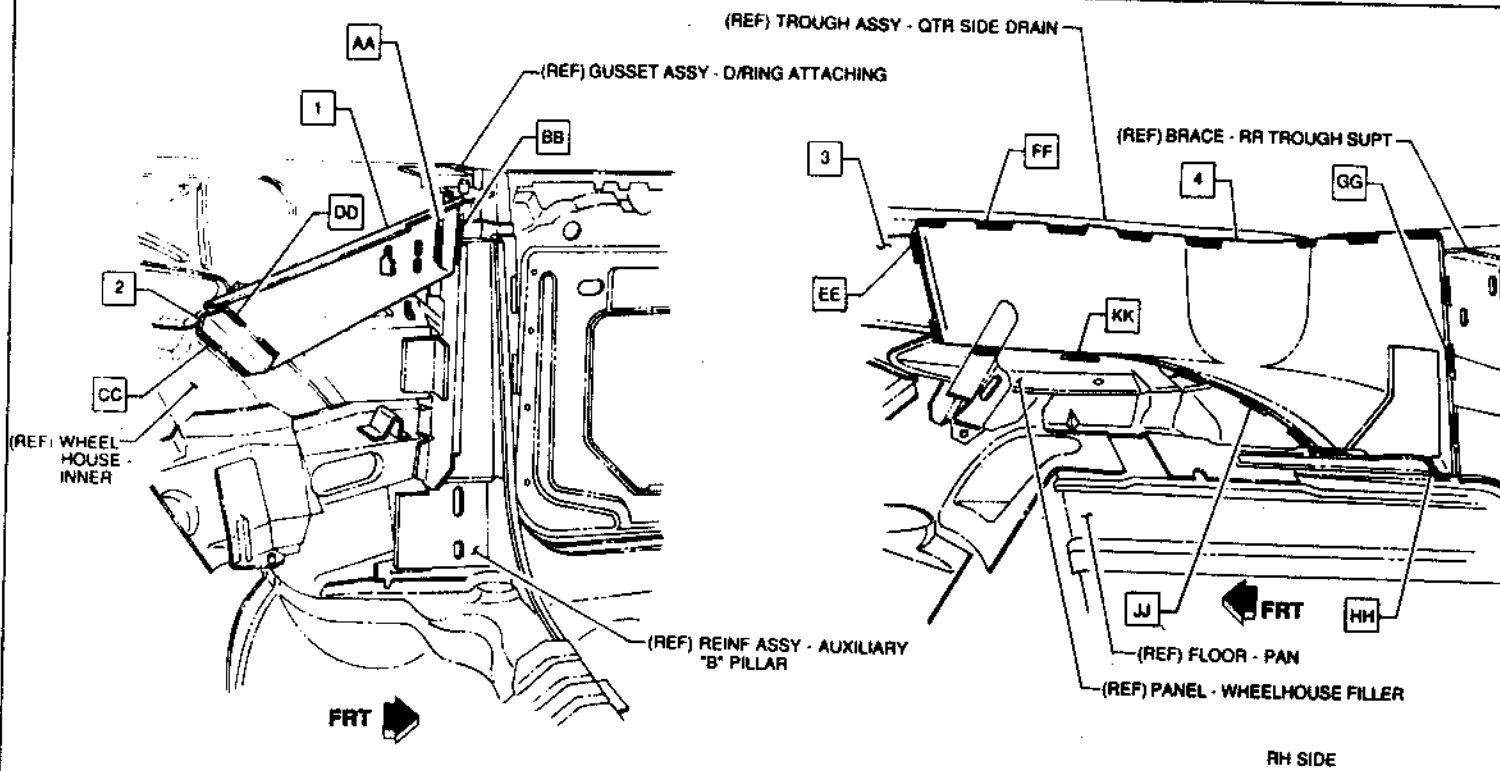
PCN (REV) DATE FOR CKT APP

asc. ASC Incorporated
 Design Department
 Engineering Center
 Southgate, Michigan 48196

1-08-01
 1991.5 "F" BODY CONVERTIBLE
 TROUGH ASSEMBLY - QUARTER SIDE AND REAR

BY NUMBER A-27X0-4960-AXXX SHEET 2E

1-08-01
 T. MICHAKIEN
 C. WASSER
 S. GIBSON



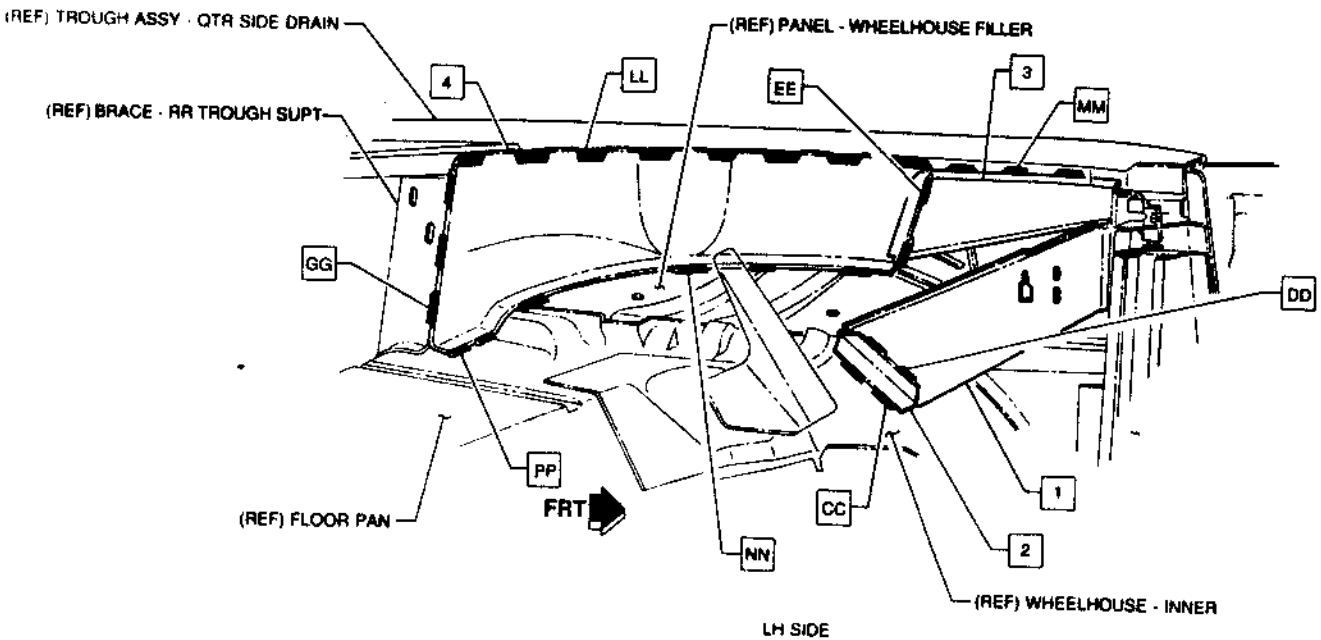
Ref	ASC Part No	Description	GM
1	T - 2730 - 2452	BRACE - AUX B/PLR TO WH (RH) (LH)	12931794
2	T - 2730 - 2824	BRKT - WHEELHOUSE TO BRACE	12928499
3	T - 2730 - 3289	REINF E/TH - TROUGH CORNER BR (RH) (LH)	12921728
4	T - 2730 - 3174	PHL - TROUGH CORNER BRACE (RH) (LH)	12921719
	W - 2730 - 3178		12928999
			12924771

WELD INFORMATION

SYM	TYPE	QTY	SIZE	CLASS	LOCATION
AA	MIG	1	2.5mm	B	1 TO (REF) GUSSET ASSY - D/RING ATTACH
BB	MIG	1	2.5mm	B	1 TO (REF) REINF ASSY - AUX B/PLR
CC	MIG	2	1.5mm	B	2 TO (REF) WHEELHOUSE - INNER
DD	MIG	2	1.5mm	B	2 TO 1
EE	MIG	2	1.5mm	B	4 TO 3
FF	MIG	6	1.5mm	B	4 TO (REF) TROUGH ASSY - QTR SIDE DRAIN
GG	MIG	2	1.5mm	B	4 TO (REF) BRACE - RR TROUGH SUPT
HH	MIG	2	1.5mm	B	4 TO (REF) FLOOR PAN
JJ	MIG	2	1.5mm	B	4 TO (REF) FLOOR PAN
KK	MIG	3	1.5mm	B	4 TO (REF) PHL - WH FILLER
LL	MIG	6	1.5mm	B	4 TO (REF) TROUGH ASSY - QTR SIDE DRAIN
MM	MIG	2	1.5mm	B	3 TO (REF) TROUGH ASSY - QTR SIDE DRAIN
NN	MIG	4	1.5mm	B	4 TO (REF) PHL - WH FILLER
PP	MIG	2	1.5mm	B	4 TO (REF) FLOOR PAN

WELD CLASSIFICATION
 A - PHYS
 B - STRUCTURAL

NOTE: ALL COMPONENTS MUST FIT NET TO 2 MM MAX GAP TO BRIST METAL AT ALL MIG WELD LOCATIONS



DRAWING RELEASED

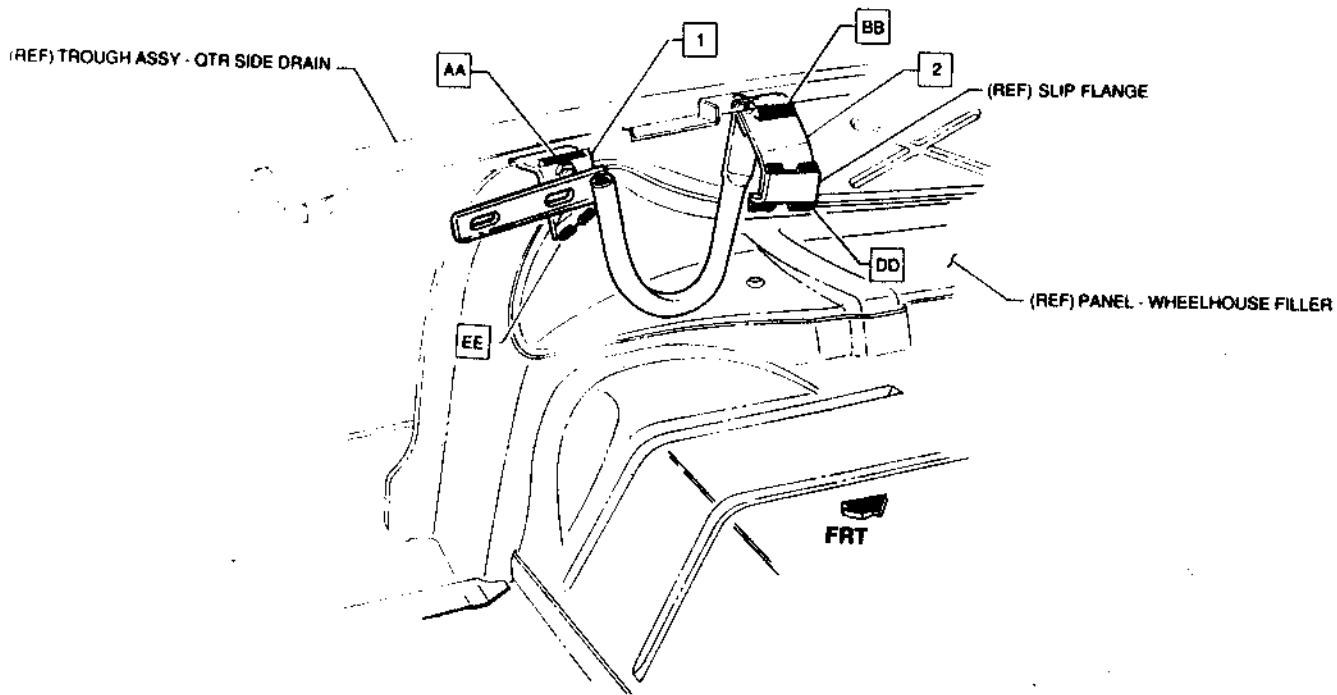
1-28-91

ASC Incorporated
 Engineering Division
 Pontiac, Michigan 48106

1-28-91

1991.5 "F" BODY CONVERTIBLE
 TROUGH CORNER AND AUXILIARY "B" PILLAR BRACE

A-27X0-4960-AXXX



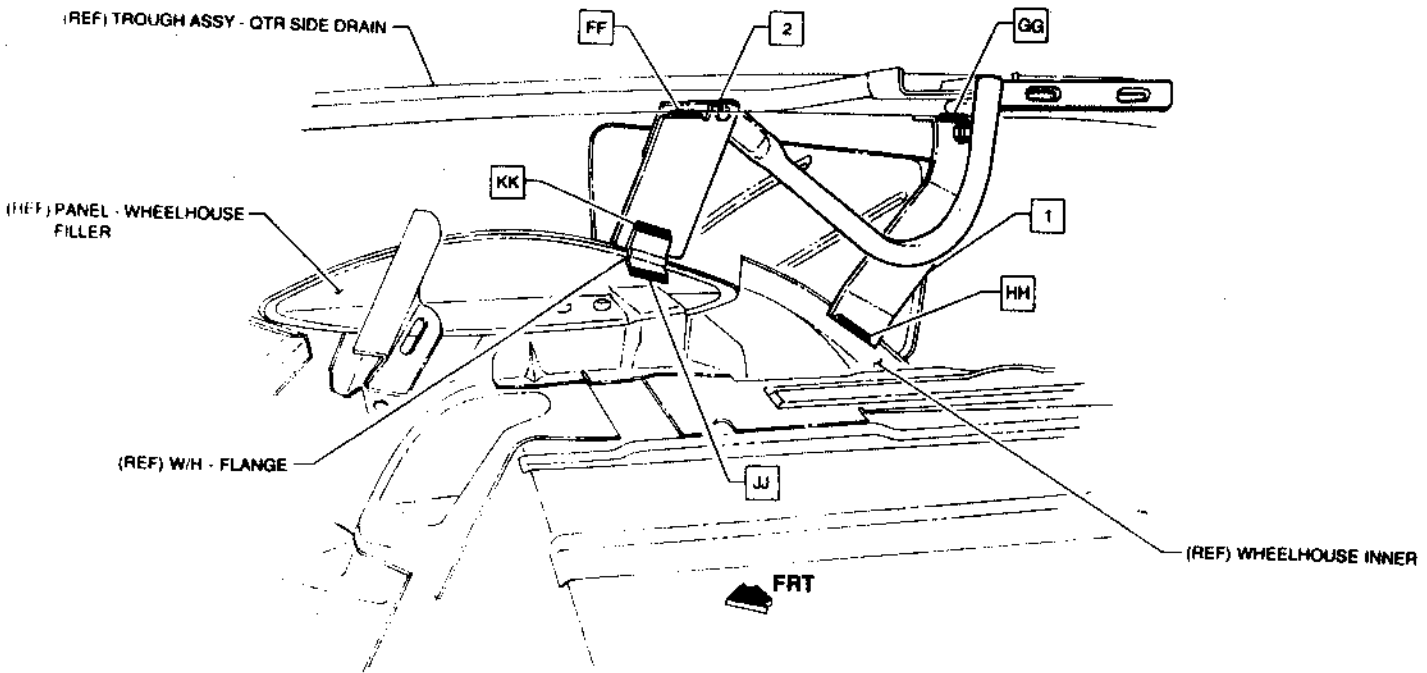
Ref	ASC Part No	Description	GM
1	B - 27X0 - 0624	SHIRT ASSY - DECK LID MTG (HW)	12291731
2	B - 27X0 - 0625	(LH)	12291732
3	A - 27X0 - 0648	SHIRT ASSY - DECK LID (HW)	
	A - 27X0 - 0649	(RH)	

WELD INFORMATION

SYM	TYPE	QTY	SIZE	CLASS	LOCATION
AA	MIG	1	1.6mm	B	1 TO (REF) TROUGH ASSY - QTR SI DRAIN
BB	MIG	1	1.6mm	B	2 TO (REF) TROUGH ASSY - QTR SI DRAIN
CC	MIG	2	1.6mm	B	2 TO (REF) SLIP FLANGE
DD	MIG	2	1.6mm	B	2 TO (REF) SLIP FLANGE
EE	MIG	2	1.6mm	B	(REF) SLIP FLG TO (REF) PHL - W/H PHL
FF	MIG	1	1.6mm	B	1 TO (REF) PHL - W/H FILLER
GG	MIG	1	2.5mm	B	1 TO (REF) TROUGH ASSY - QTR SI DRAIN
HH	MIG	2	2.5mm	B	1 TO (REF) WHEELHOUSE - INNER
JJ	MIG	1	1.6mm	B	(REF) W/H - FLG TO (REF) PHL - W/H PHL
KK	MIG	1	1.6mm	B	2 TO (REF) W/H - FLANGE

WELD CLASSIFICATION
 A - F6V58
 B - STRUCTURAL

NOTE: ALL COMPONENTS MUST FIT NET TO 2 MM MAX GAP TO SHEET METAL AT ALL MIG WELD LOCATIONS



DRAWING RELEASED
 DATE 01/13/01

FOR LOT #


asc. ASC Incorporated
 Engineers Department
 Engineering Center
 Northville, Michigan 48166

1-800-81
 S. KOBLENZ
 MONTGOMERY
 C. WILSON
 & ENGINEERS

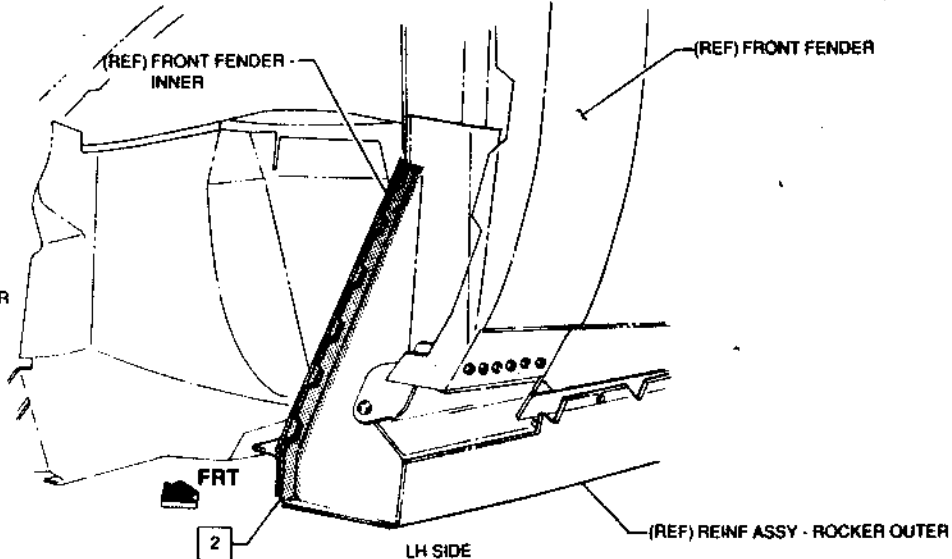
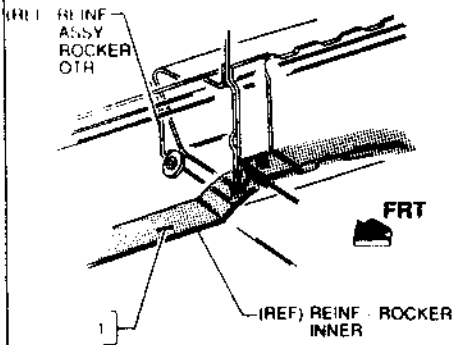
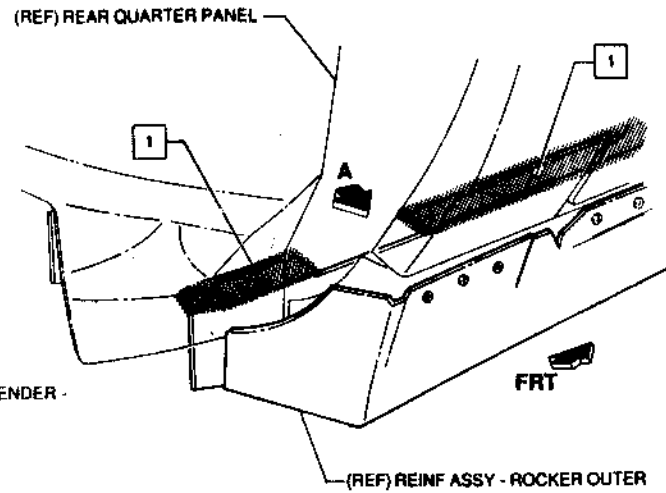
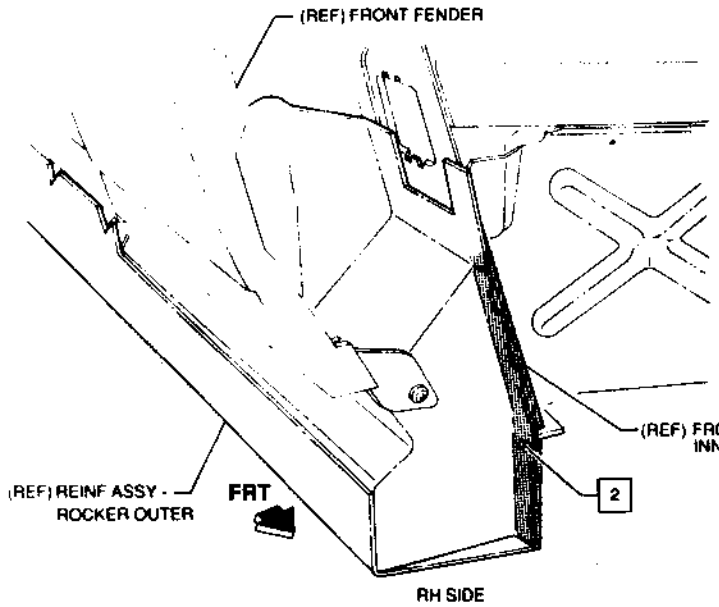
1991.5 "F" BODY CONVERTIBLE
 DECK LID HINGE AND MOUNTING BRACKET

A-27X0-4960-AXXX SHEET 2G

SHEET	TITLE
3	CONTENTS - SEALING
3A	SEALING - ROCKER OUTER REINFORCEMENT
3B	SEALING - ROCKER INNER REINFORCEMENT
3C	SEALING - AUXILIARY "B" PILLAR REINFORCEMENT - RETRACTOR MOUNTING PLATE
3D	SEALING - SUPPORT BRACKETS AND GUSSET - D/RING ASSEMBLY
3E	SEALING - TROUGH ASSEMBLY - QUARTER SIDE AND REAR
3F	SEALING - TROUGH CORNER AND AUXILIARY "B" PILLAR BRACE
3G	SEALING - DECK LID HINGE AND MOUNTING BRACKET

DRAWING RELEASED				DATE	BY	CHK	APP	
PCB	LET	REV	DATE	BY	CHK	APP	COMPLETION DATE	
		ASC Incorporated Graphics Department Engineering Center Southgate, Michigan 48194				1-28-91		
1991.5 "F" BODY CONVERTIBLE CONTENTS - SEALING							A. VILLARDEA	C. WISBER
A-27X0-4960-AXXX SHEET 3							C. WISBER	C. WISBER

Ref ASC Part No	Description	GM
1 2-9990-0630-AXXX	DEADENER - LIQUID	9990-170
2 2-9990-0633-BXXX	UNDERCOAT	



DRAWING RELEASED

asc

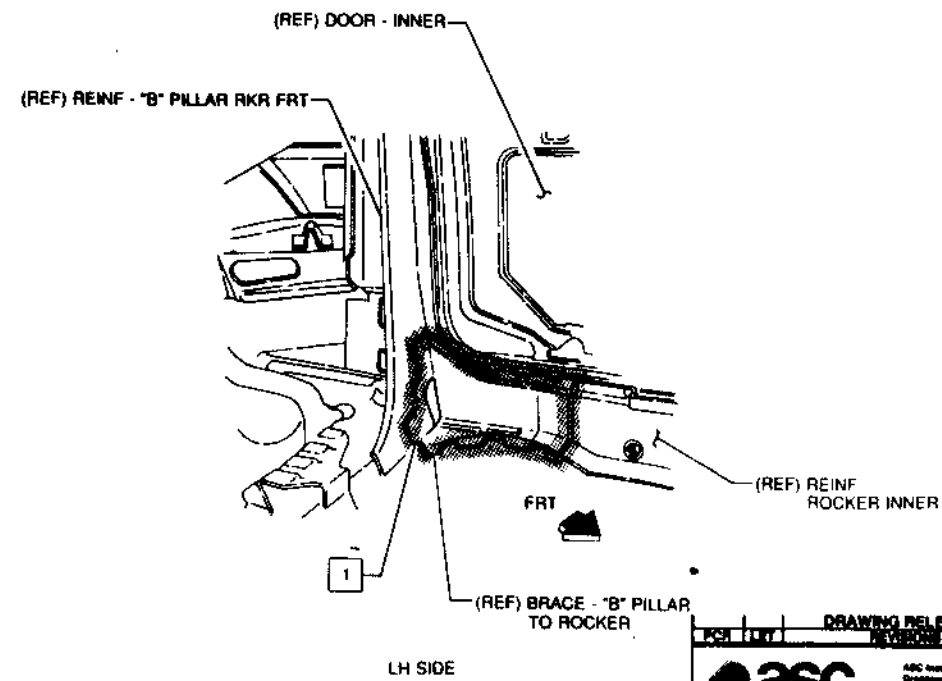
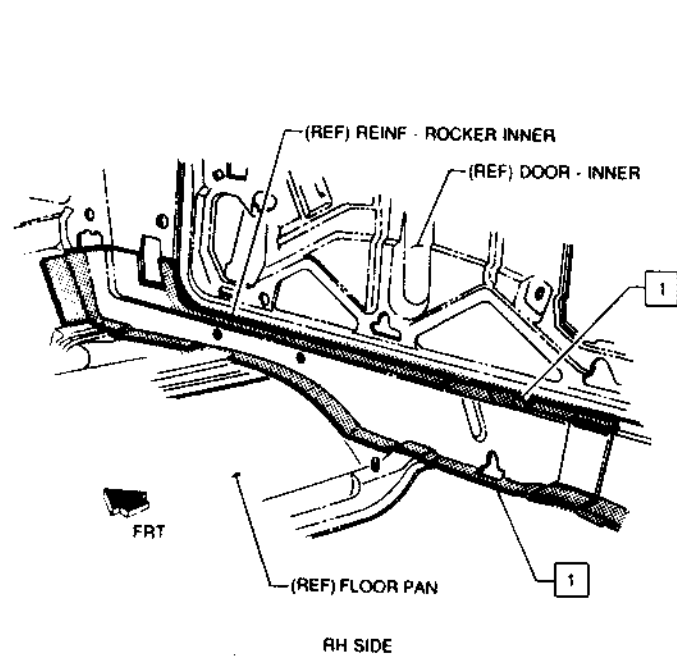
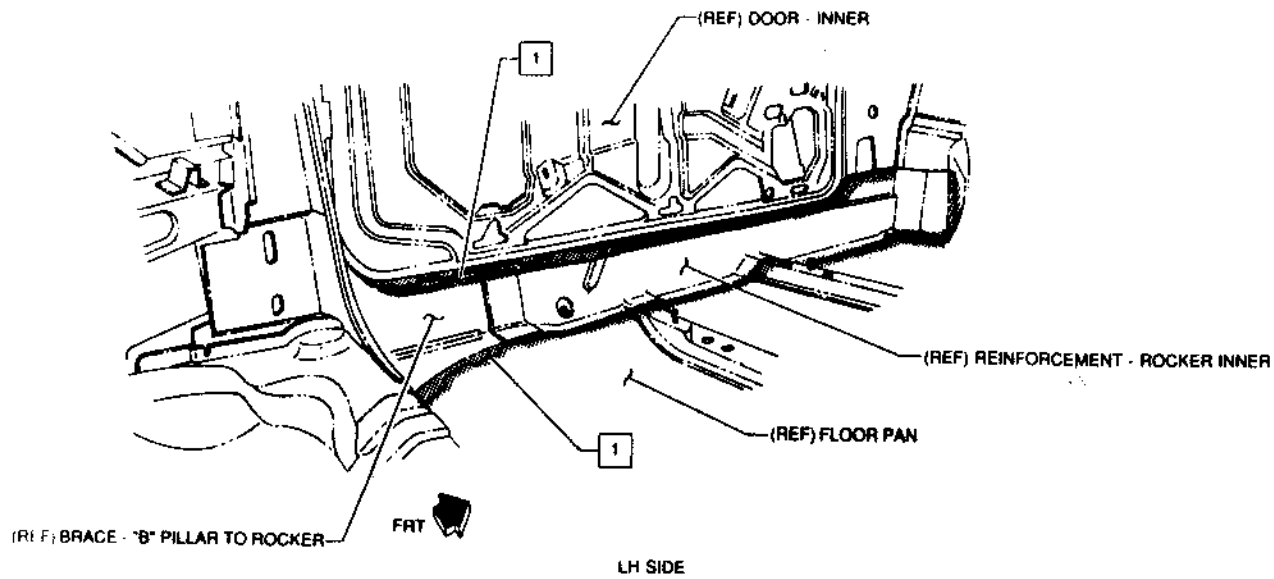
ASC International
 Originals Department
 Engineering Center
 Southfield, Michigan 48116

1-800-911-3822
 H. BOJLAU
 T. MOORHEAD
 C. WILSON
 S. BARNETT

1991.5 "F" BODY CONVERTIBLE
 SEALING - ROCKER OUTER REINFORCEMENT

A-27X0-4960-AXXX SHEET 3A

Ref	ASC Part No	Description	GM
1	X-9990-0196-AXXX	SEALER - BRUSH ON	9991111



DRAWING RELEASED

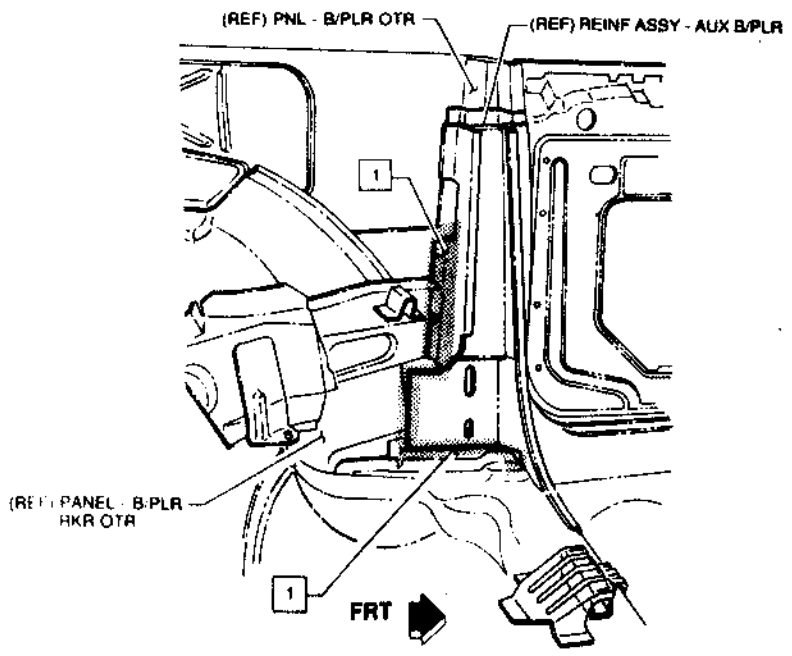
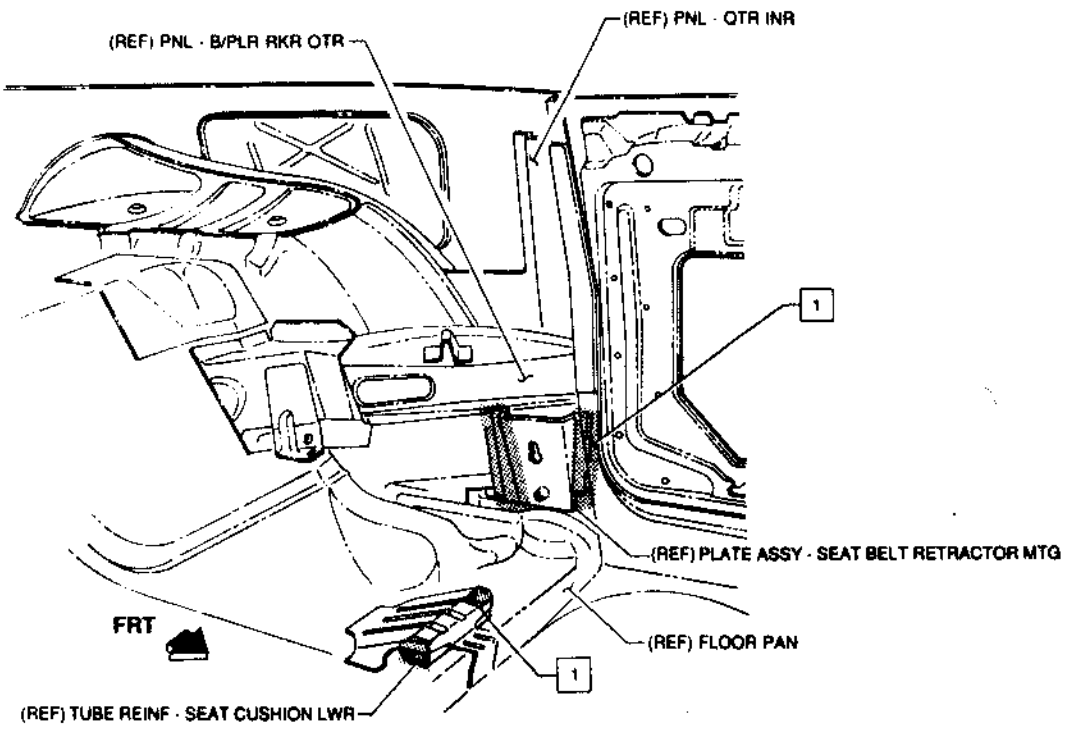
asc. ASC International
 Sealing Department
 Engineering Center
 Birmingham, Michigan 48106

1991.5 "F" BODY CONVERTIBLE
 SEALING - ROCKER INNER REINFORCEMENT

A-27X0-4960-AXXX SHEET 3B

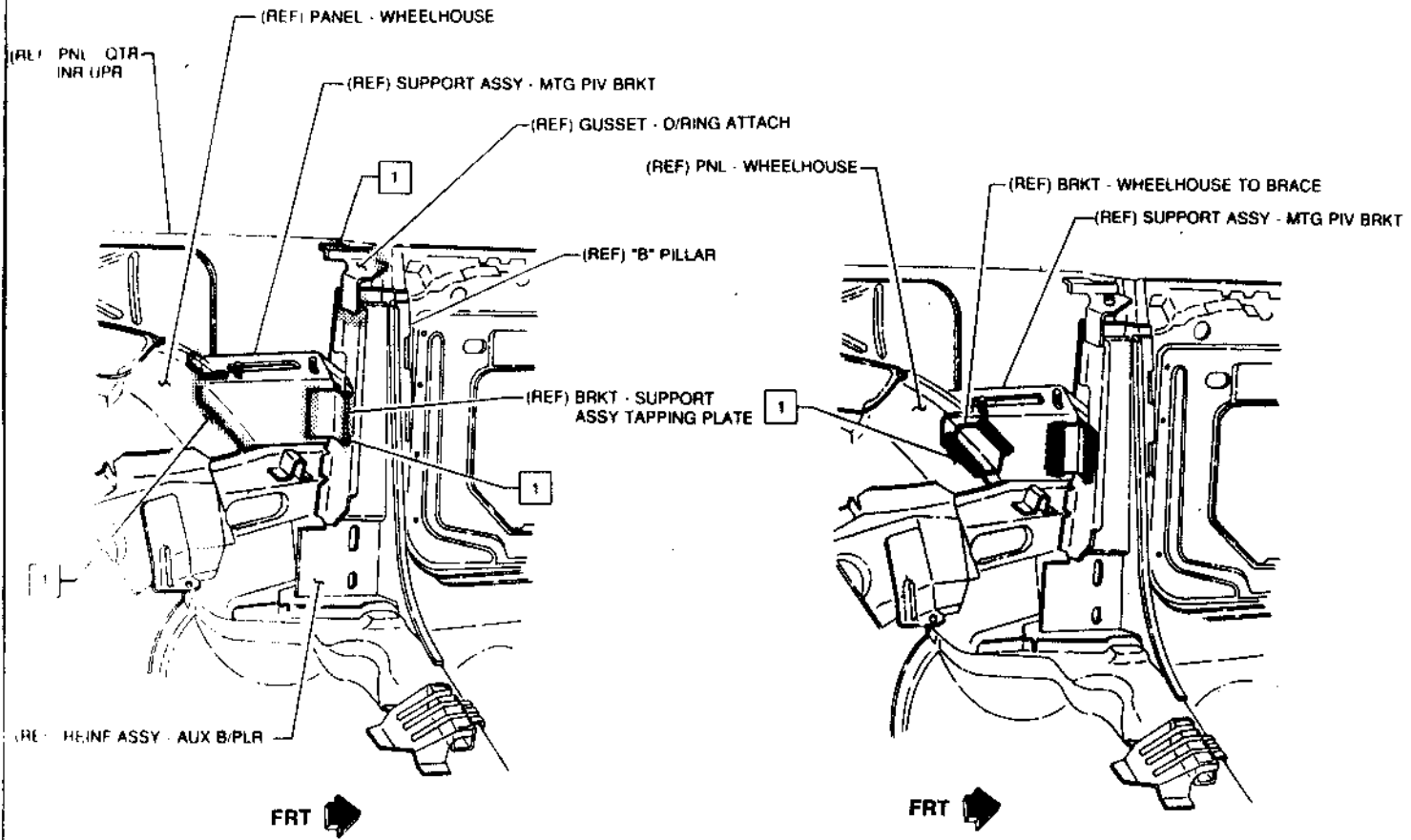
1-20-91
 E. GIBBLAY
 T. MORALES
 C. WOOD
 S. GIBBLAY

Ref	ASC Part No	Description	GM
1	X-9999-0194-AXXX	SEALER - BRUSH ON	991111



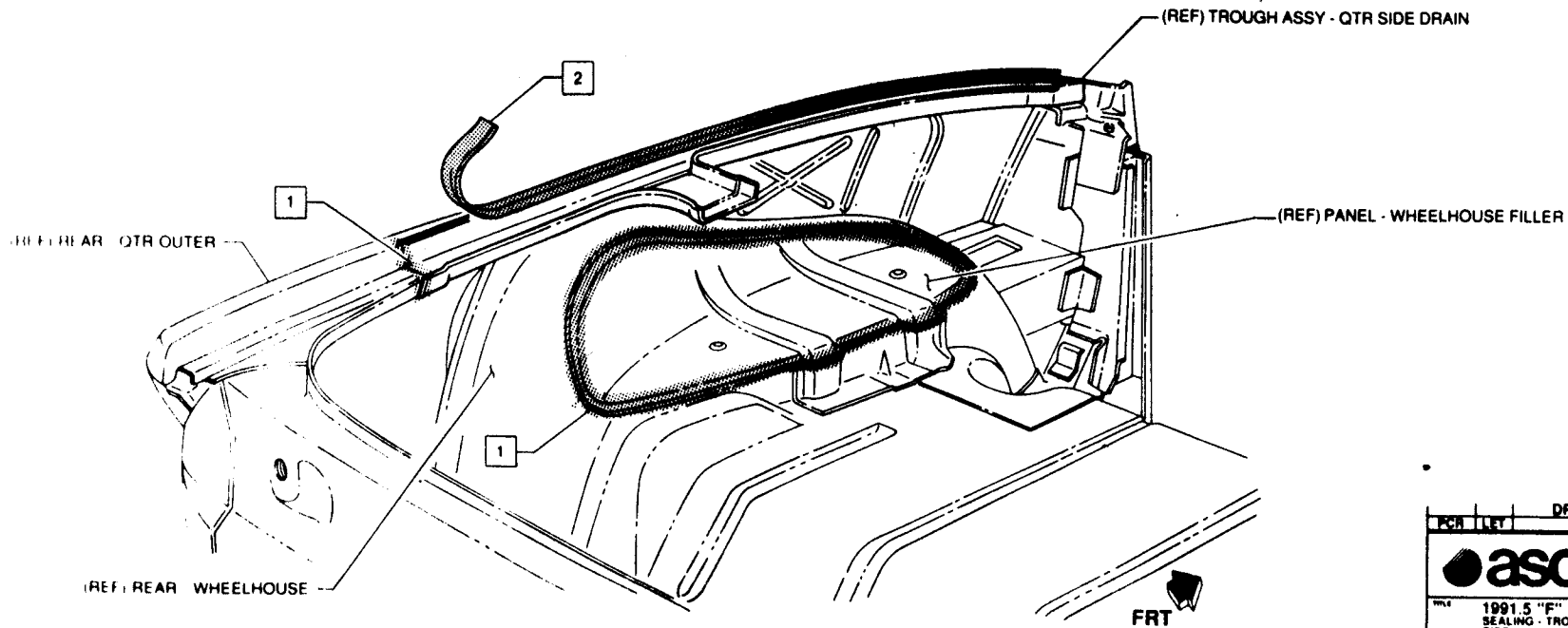
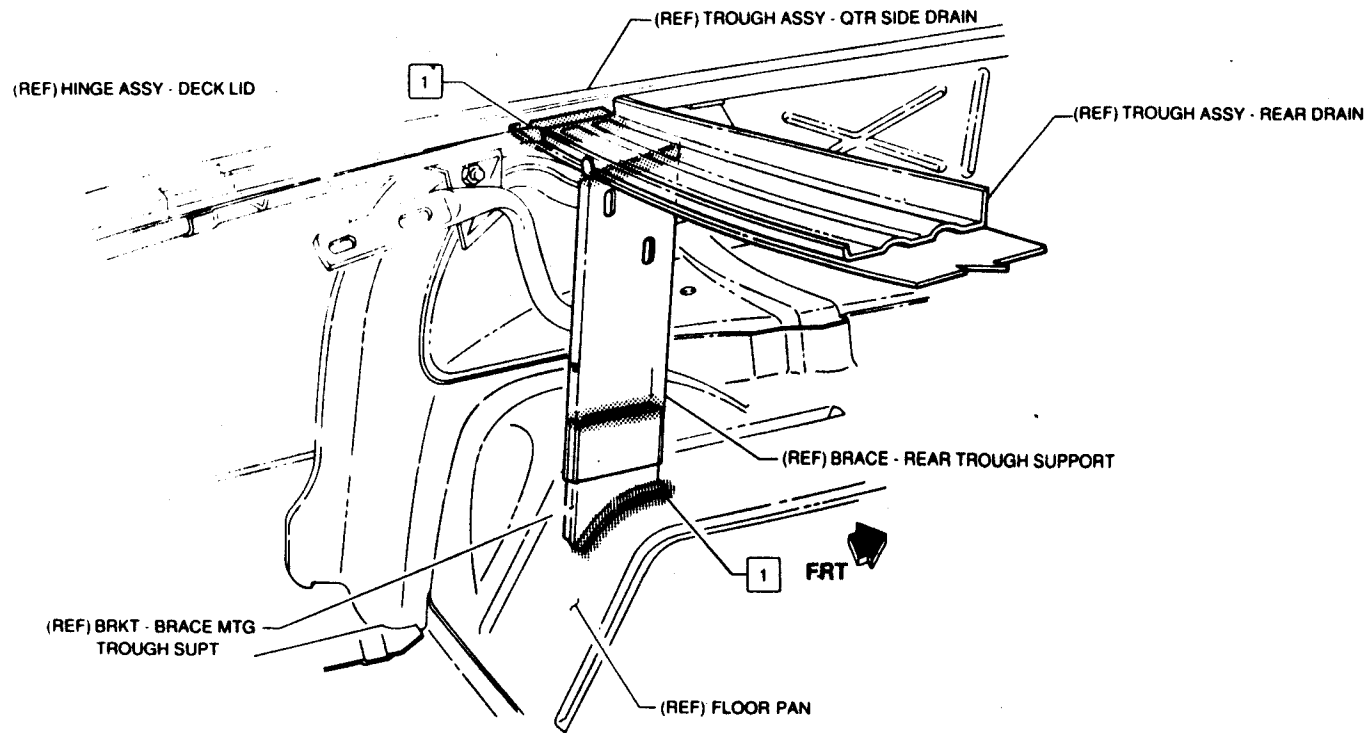
DRAWING RELEASED		DATE	BY
REVISED		DATE	BY
		ASC Incorporated Graphics Department Engineering Center Warrendale, Michigan 48090	
1991.5 "F" BODY CONVERTIBLE SEALING - AUXILIARY "B" PILLAR REINFORCEMENT - RETRACTOR MOUNTING PLATE			
A-27X0-4960-AXXX		SHEET 3C	


Ref	ASC Part No	Description	GM
1	8-2000-9124	AXXX SEALER - BRUSH ON	991111



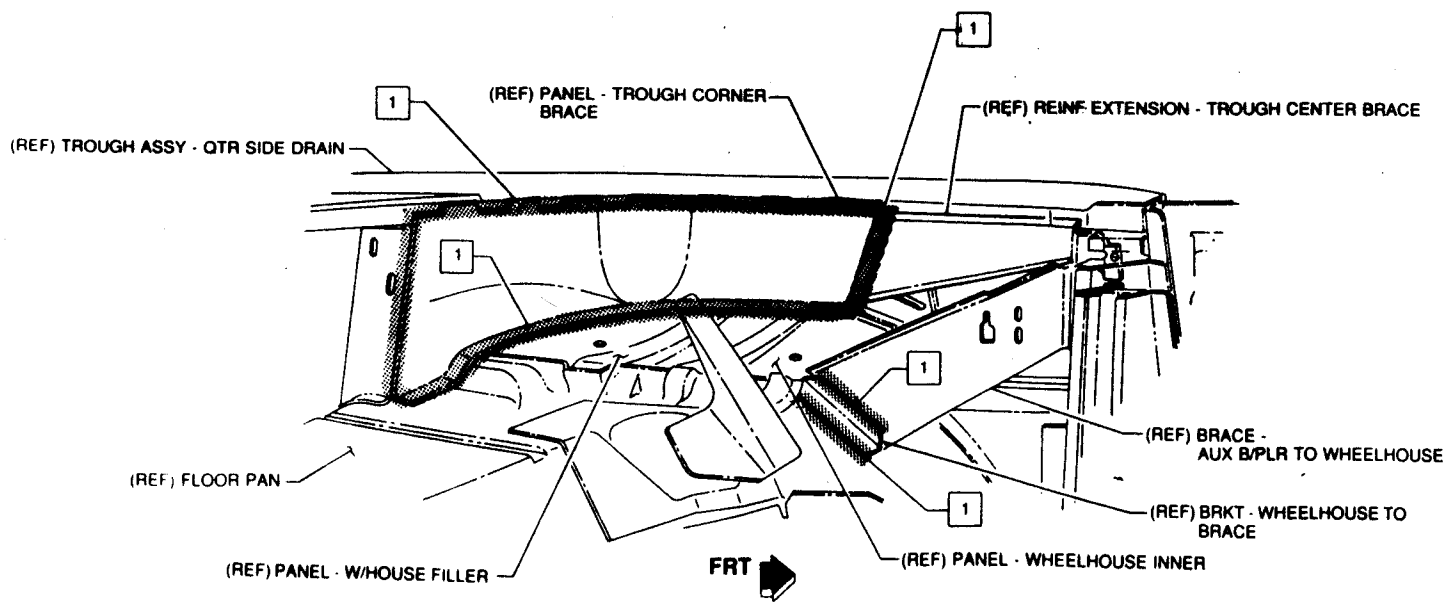
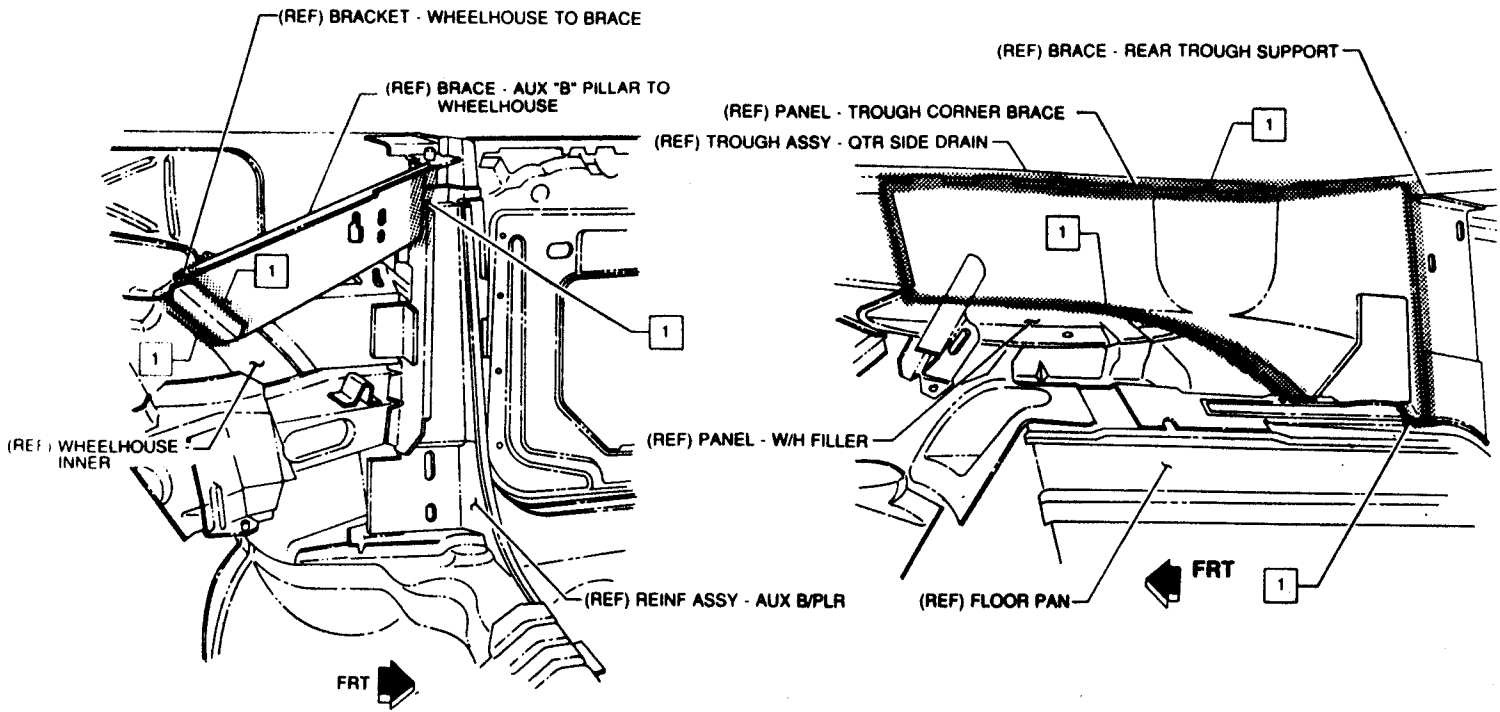
DRAWING RELEASED		DATE	BY	CHK	APP
PCB	LET				
		ASC Incorporated Graphix Department Engineering Center Southgate, Michigan 48196		1-28-91 M. B. B. / J. J. M. C. / J. J. / J. J. C. W. B. B.	
1991.5 "F" BODY CONVERTIBLE SEALING - SUPPORT BRACKETS AND GUSSET D/RING ASSEMBLY					
A-27X0-4960-AXXX				SHEET 3D	

Ref	ASC Part No	Description	GM
1	X-00MO-0184-AXXX	SEALER - BRUSH ON	9981111
2	X-00MO-0229-AXXX	TAPE - SEALER	



DRAWING RELEASED		DATE	BY
PCN	REV	DATE	BY
			
1991.5 "F" BODY CONVERTIBLE SEALING - TROUGH ASSEMBLY - QUARTER SIDE AND REAR		ASC Incorporated Graphics Department Engineering Center Southgate Michigan 48196	
A-27X0-4960-AXXX		SHEET 3E	

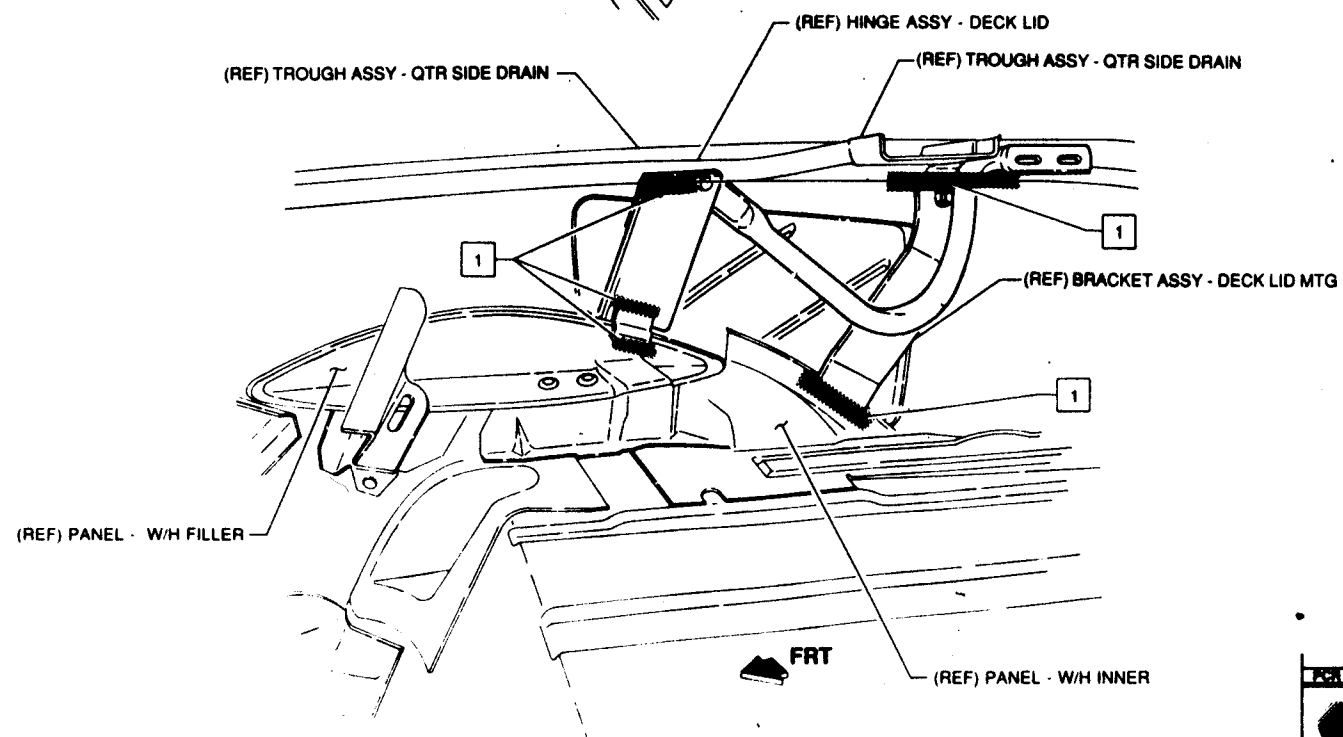
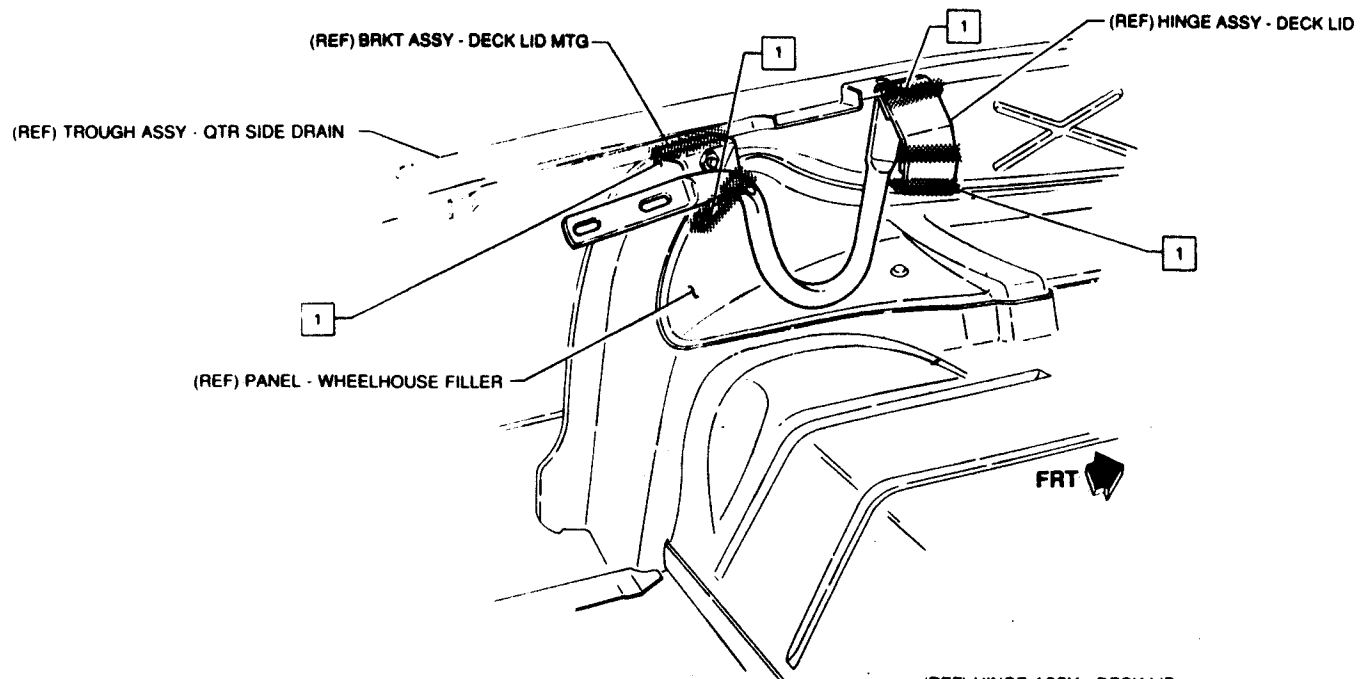
Ref	ASC Part No	Description	GM
1	X-0080-0184-AXXX	SEALER - BRUSH ON	081111



DRAWING RELEASED
REVISIONS

	ASC Incorporated Graphics Department Engineering Center Southfield, Michigan 48116	1-25-01 DESIGNED BY M. DEBLAU
	1991.5 "F" BODY CONVERTIBLE SEALING - TROUGH CORNER AND AUXILIARY "B" PILLAR BRACE	CHECKED BY T. MOORHEAD DRAWN BY C. WEBER
PART NUMBER A-27X0-0960-AXXX		SHEET 25

Ref ASC Part No	Description	GM
1 X - 0960 - 0104 - AXXX	SEALER - BUSH ON	081111



DRAWING RELEASED

REV	DATE	BY	CHK
1	1-28-01	MS	MS


asc. ASC Incorporated
 Congress Department
 Engineering Center
 Southgate, Michigan 48106

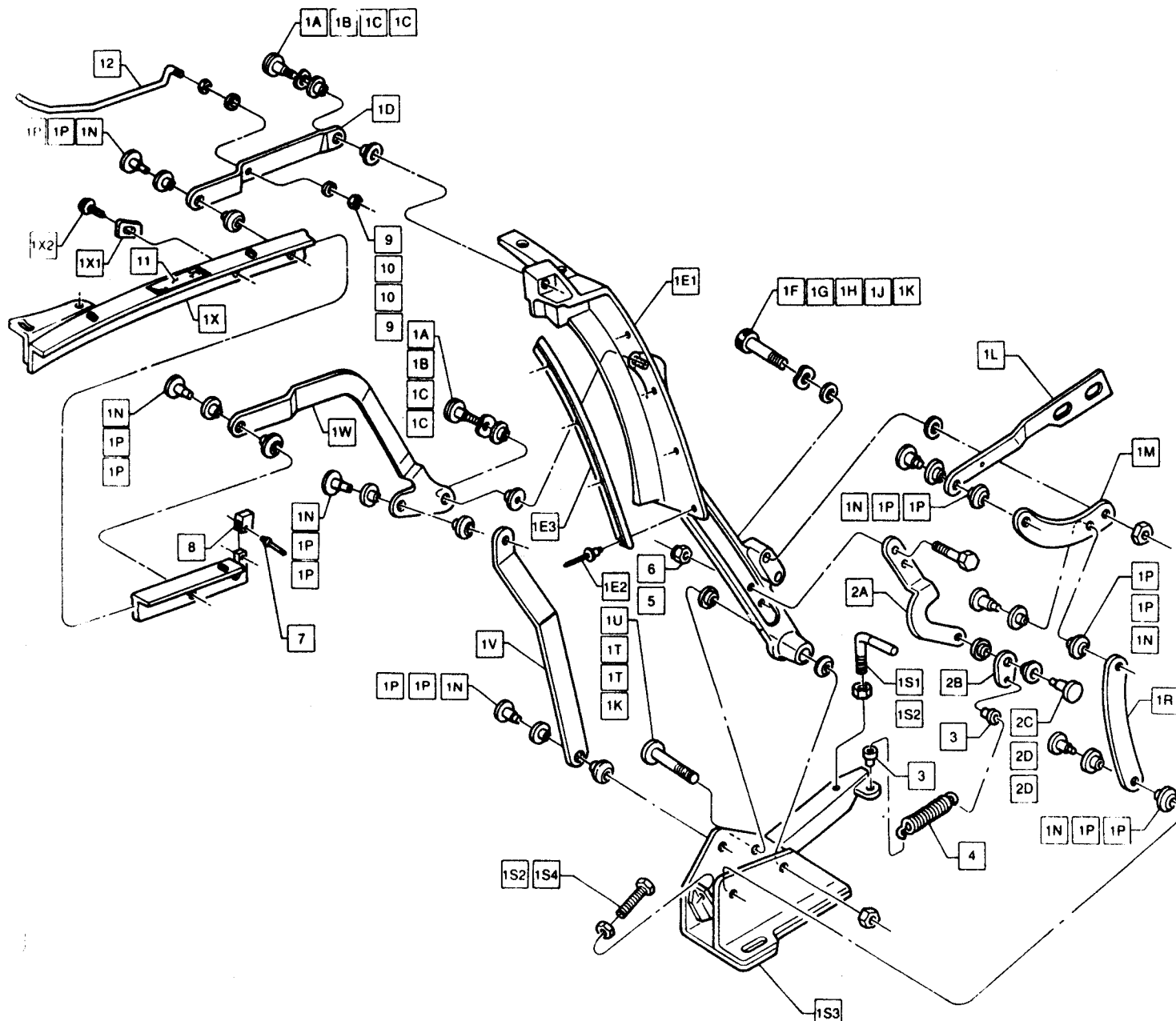
1-28-01
 H. BIRDLAY
 M. HOFFMANN
 G. WOOD
 G. BIRDLAY

1991.5 "F" BODY CONVERTIBLE
 SEALING - DECK LID HINGE AND MOUNTING BRACKET

A-27X0-4960-AXXX SHEET 3G

SHEET	TITLE
4	CONTENTS - TOP STACK
4A	RAIL ASSEMBLY - SIDE, REAR, AND PIVOT BRACKET
4B	BOW ASSEMBLIES 1, 2, 3 - LATCHES AND SEALS
4C	BOW ASSEMBLIES 4 AND 5 AND NUMBER 5 BOW SEAL
4D	COVER ASSEMBLY - TOP
4E	HEADLINER ASSEMBLY

DRAWING RELEASED		1-25-01	CW	CC	AP
PCR	LET	DATE	DR	CK	APP
		1-25-01 G WEBER J MICHAMARA C WEBER			
1991.5 "F" BODY CONVERTIBLE CONTENTS - TOP STACK					4 SHEETS
A-27X0-4960-AXXX					SHEET 4



Ref	ASC Part No	Description	GM
1	A - 27X0 - 3111	TOP STACK ASSY - LESS TRM	
	A - 27X0 - 1974	RAIL ASSY - SIDE COMPLETE (RH)	
	A - 27X0 - 1975	(LH)	
A	X - 0090 - 1409 - XVLX	BOLT (M6 x 1.0 x 21.5)	10048834
B	X - 0090 - 2020 - XZZX	WASHER	
C	X - 0090 - 1415 - XXXX	BUSHING	14100330
D	W - 27X0 - 2016	CENTER LINK - SIDE RAIL (RH)	
	W - 27X0 - 2017	(LH)	
E	W - 27X0 - 3032	RAIL ASSY - REAR (RH)	12506002
	W - 27X0 - 3033	(LH)	12505003
E1	W - 27X0 - 3236	REAR RAIL (RH)	
	W - 27X0 - 3237	(LH)	
E2	X - 0080 - 0180 - XXXX	RIVET (1.8 x 375)	
E3	W - 27X0 - 3798	EXTENSION - REAR RAIL (RH)	
	W - 27X0 - 3799	(LH)	
F	X - 0090 - 2084 - XWTX	SCREW (5/16 - 18 x 1.0)	12384678
G	X - 0090 - 1078 - XXXX	WASHER	
H	X - 0090 - 1215 - XZTX	WASHER	
J	X - 0090 - 1141 - XXXX	WASHER	
K	X - 0080 - 0496 - XWTX	NUT	12506362
L	W - 27X0 - 7540	SLAT - BOW NO 5 (RH)	
	W - 27X0 - 7541	(LH)	
M	W - 27X0 - 1794	LINK - PIVOT BOW NO 5	
N	X - 0090 - 0502 - XWTX	RIVET (248 x .175)	
P	X - 0090 - 0508 - XXXX	BUSHING	
R	W - 27X0 - 1784	LINK - CONTROL BOW NO 5	
S	A - 27X0 - 7376	BRKT ASSY - MAIN PIVOT COMPL (RH)	
	A - 27X0 - 7377	(LH)	
S1	A - 27X0 - 0560	DOWNSTOP - BUMPER	
S2	X - 0090 - 1596 - XYSX	NUT	114506
S3	A - 27X0 - 2022	BRKT ASSY - MAIN PIVOT (RH)	
	A - 27X0 - 2023	(LH)	
S4	X - 0090 - 1680 - XWTX	BOLT (3/8 - 16 x 1.50)	121524
T	X - 0090 - 0523 - XZZX	BUSHING	20496857
U	X - 0090 - 0521 - XWTX	SCREW (5/16 - 18 x 2.5)	12509384
V	V - 27X0 - 3030	BALANCE LINK - MAIN PILLAR (RH)	
	V - 27X0 - 3031	(LH)	
W	W - 27X0 - 2014	PIVOT LINK - BI RAIL CONTROL (RH)	
	W - 27X0 - 2015	(LH)	
X	W - 27X0 - 2630	RAIL ASSY - SIDE (RH)	
	W - 27X0 - 2631	(LH)	
X1	W - 27X0 - 4433	STOP - ADJUST SIDE RAIL	
X2	X - 0090 - 0924 - XWYX	SCR & WSR ASSY (M6 x 1.0 x 14.0)	12506386
2	A - 27X0 - 5272	BRKT ASSY - RR RL T-STACK ASST (RH)	12509966
	A - 27X0 - 5273	(LH)	12509967
A	A - 27X0 - 2052	BRKT - RR RL T-STACK ASST (RH)	
	A - 27X0 - 2053	(LH)	
B	A - 27X0 - 2084	LINK - TOP STACK ASSIST	
C	X - 0090 - 2179 - XWNX	RIVET (M6 x 5.8 x 20.0)	
D	X - 0090 - 1415 - XXXX	BUSHING	14100330
3	X - 0090 - 0128 - XXXX	NUT	01099943
4	A - 27X0 - 5805	SPRING	12509962
5	X - 0090 - 3684 - XWNX	BOLT (1/4 - 20 x 1.0)	
6	X - 0090 - 0152 - XWNX	NUT	
7	X - 0090 - 1321 - XZDX	RIVET (1.8 x 312)	
8	W - 27X0 - 2374	ISOLATOR - ANTI-RATTLE	12504768
9	X - 0090 - 3453 - XZWX	NUT	
10	X - 0080 - 1111 - XXXX	WASHER	
11	X - 0080 - 0237 - AXXX	TAPE	
12	W - 27X0 - 5640	LINK - NO 2 BOW ACTUATOR (RH)	
	W - 27X0 - 5641	(LH)	

SERVICE ONLY

W - 27X0 - 8539 - 37 PKG ACTR & HDWR BOW NO 2 (RH,LH) 12904750-31
 CONSISTS OF 9 10 12 & 3 4 SEE SHEET 4B

DRAWING RELEASED REVISIONS DATE BY CK APV

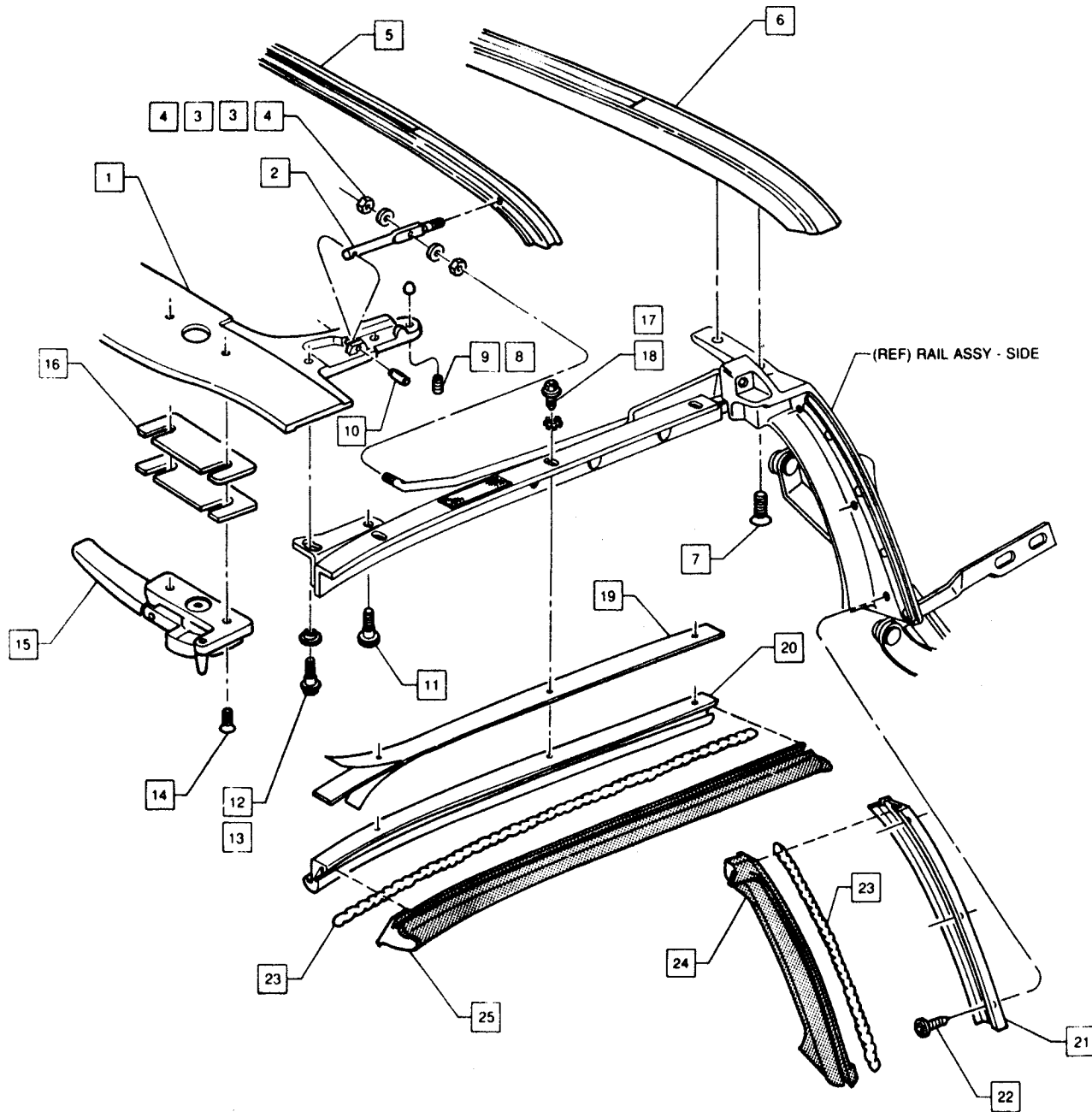
1 25-81

asc
 ASC Incorporated
 Graphics Department
 Engineering Center
 Southgate, Michigan 48196

1991.5 "F" BODY CONVERTIBLE
 RAIL ASSEMBLY - SIDE, REAR, AND PIVOT BRACKET

A-27X0-4960-AXXX SHEET 4A

1-25-81
 DESIGNED BY
 M DEBLAU
 MONTGOMERY
 CHECKED BY
 C WEBER
 APPROVED BY
 S DENHORE



Ref	ASC Part No	Description	GM
	(SEE SHEET 4A)	TOP STACK ASSY - LESS TRM	
1	W - 27X0 - 1951	BOW - NO 1	12504744
2	W - 27X0 - 1962	PIVOT LINK - BOW NO 2	
3	X - 0090 - 1111 - XXXX	WASHER	
4	X - 0090 - 3300 - XWXX	NUT	
5	W - 27X0 - 2038	BOW ASSY - NO 2	12504752
6	W - 27X0 - 2050	BOW ASSY - NO 3	12504741
7	X - 0090 - 1077 - XZTX	SCREW (1.4 - 20 x 1.0)	12506392
8	X - 0090 - 0652 - XXXX	CAP	
9	X - 0090 - 1232 - XZTX	SCREW (10 - 24 x 50)	
10	X - 0090 - 1850 - XZTX	PIN - SPRING	12331796
11	X - 0090 - 3253 - XZTX	SCREW (5 16 - 18 x 915)	12506390
12	X - 0090 - 0500 - XZTX	BOLT (5 16 - 18 x .86)	12505394
13	X - 0090 - 0526 - XXXX	BUSHING	20498858
14	X - 0090 - 2372 - XZTX	SCREW (M6 x 1.0 x 20.0)	12505397
15	W - 27A0 - 2740	LATCH ASSY - HEADER COMPL (RH)	12506014
	W - 27A0 - 2741	(LH)	12506015
16	A - 27X0 - 7168	SHM - HEADER LATCH	
17	X - 0090 - 0034 - XYGX	WASHER	
18	X - 0090 - 0087 - XWXX	SCR & WSHR ASSY (8 - 32 x .62)	12504399
19	X - 0090 - 0126 - KXXX	TAPE	
20	V - 27X0 - 3116	RETAINER - SIDE RAIL SEAL (RH)	12394880
	V - 27X0 - 3117	(LH)	12394881
21	W - 27X0 - 3120	RETAINER - MAIN PLR SEAL COMPT (RH)	12504772
	W - 27X0 - 3121	(LH)	12504773
22	X - 0090 - 0173 - XWSX	SCREW (8 - 18 x 50)	20504100
23	X - 0090 - 0189 - AXXX	ADHESIVE - WEATHERSTRIP	
24	A - 27X0 - 3024	SEAL - MAIN PILLAR (RH)	
	A - 27X0 - 3025	(LH)	
25	A - 27X0 - 3022	SEAL - SIDE RAIL (RH)	
	A - 27X0 - 3023	(LH)	

DRAWING RELEASED

FOR LET REVISIONS DATE DR CK APP

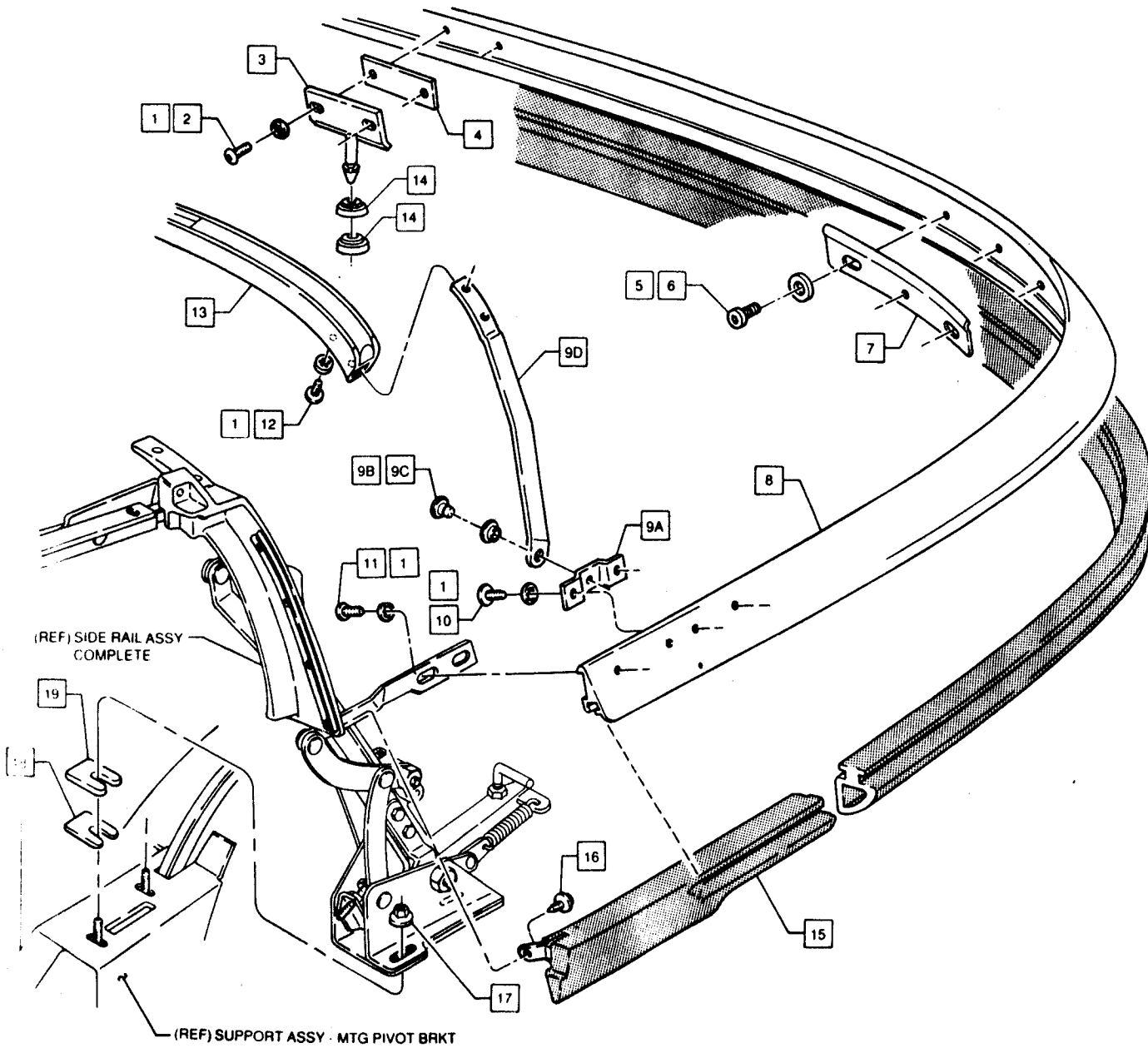
1-25-91 00

asc ASC Incorporated
Graphics Department
Engineering Center
Southgate, Michigan 48196

1-25-91
ILLUSTRATED BY
R. BULLAU
CHECKED BY
MONTGOMERY
DESIGNED BY
C. WEBER
APPROVED BY
S. BENDON

1991.5 "F" BODY CONVERTIBLE
BOW ASSEMBLIES 1, 2, 3 - LATCHES AND SEALS

A-27X0-4960-AXXX SHEET 4B



Ref	ASC Part No	Description	GM
	(SEE SHEET 4A)	TOP STACK ASSY - LESS TRIM	
1	X - 0050 - 1619 - XZTX	WASHER	
2	X - 0050 - 1909 - XZTX	SCREW (1.4 - 20 x .825)	12505363
3	U - 27X0 - 7311	PIN - NO 5 BOW RECEIVER	12382915
4	V - 27X0 - 2018	SHIM - STRIKER PIN	12331804
5	X - 0050 - 1111 - XXXX	WASHER	
6	X - 0050 - 1541 - XWVX	SCREW (M5 x 0.8 x 10.0)	
7	W - 27X0 - 9425	BRKT - STAY PAD REAR	12504738
8	A - 27X0 - 7283	BOW - NO 5	
9	A - 27X0 - 4548	SLAT ASSY - BOW NO 4 (RH)	
A	A - 27X0 - 4549	(LH)	
A	A - 27X0 - 4776	BRKT - BOW NO 4 (RH)	
A	A - 27X0 - 4777	(LH)	
B	X - 0050 - 2210 - XZTX	BUSHING	
C	X - 0050 - 0531 - XWTX	RIVET (1.4 x 101)	
D	W - 27X0 - 2886	SLAT - BOW NO 4 (RH)	
D	W - 27X0 - 2887	(LH)	
10	X - 0050 - 1745 - XWTK	SCREW (8 - 32 x .375)	
11	X - 0050 - 1190 - XZTX	SCREW (1.4 - 20 x .50)	12505395
12	X - 0050 - 1911 - XZTX	SCREW (1.4 - 20 x .38)	12505393
13	W - 27X0 - 2032	BOW ASSY - NO 4	12504740
14	A - 27X0 - 3430	SEAL PATCH	
15	W - 27X0 - 7240	SEAL - BOW NO 5	12504727
16	X - 0050 - 0173 - XWSX	SCREW (8 - 18 x .50)	20504108
17	X - 0050 - 1736 - XZSX	NUT & WSHR ASSY	
18	X - 0050 - 1957 - XZTX	SHIM (1.75 x 1.25 x .0825)	
19	X - 0050 - 1958 - XZTX	SHIM (1.75 x 1.25 x 1.28)	

DRAWING RELEASED 1-25-91

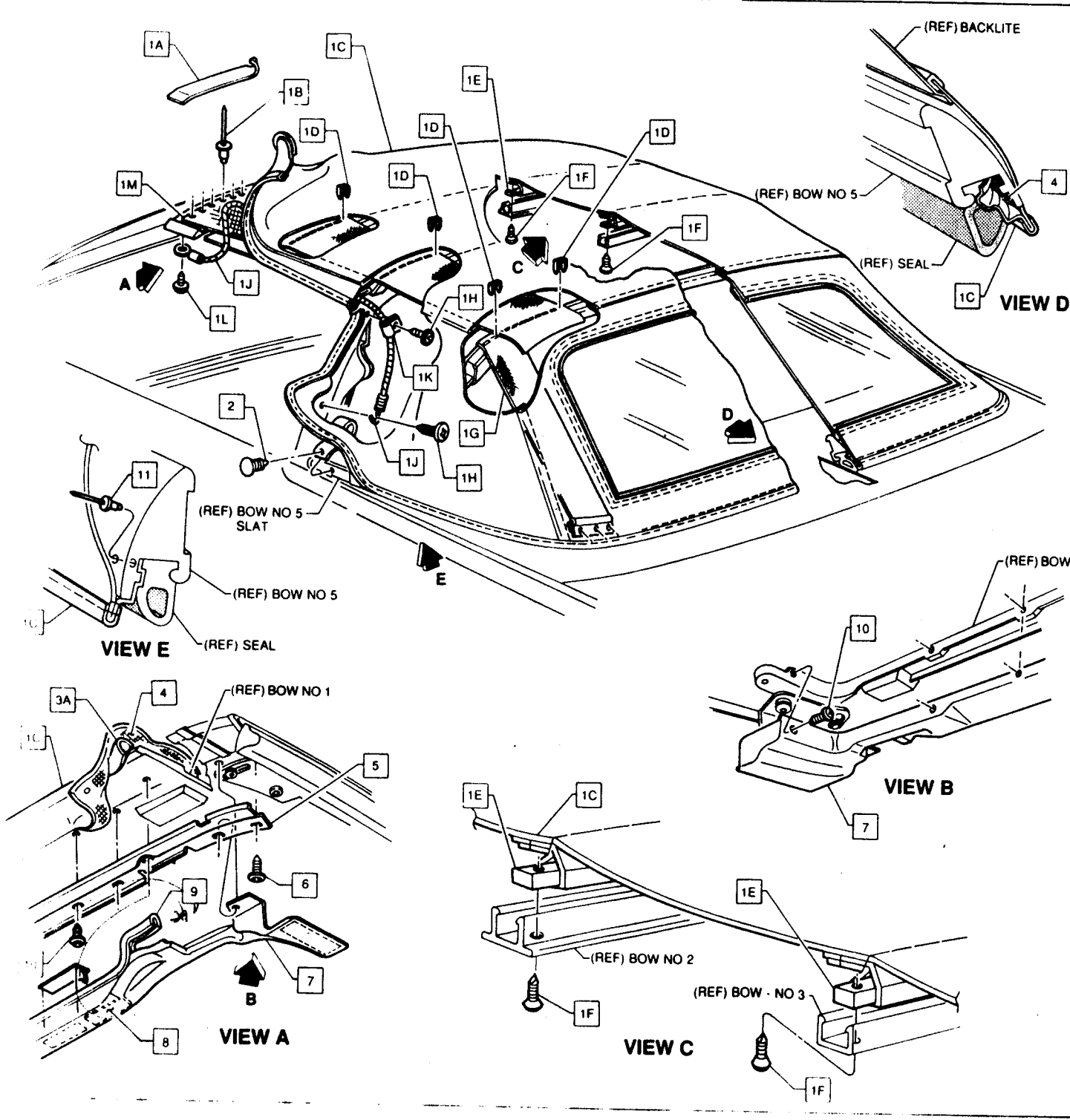
PCB	LET	REVISIONS	DATE	BY	CHK	APP

asc ASC Incorporated
Graphics Department
Engineering Center
Northridge, Michigan 48199

1991.5 "F" BODY CONVERTIBLE
BOW ASSEMBLIES 4 AND 5 AND NUMBER 5 BOW SEAL

A-27X0-4960-AXXX SHEET 4C

1-25-91	MS	KZ	DLB
1-25-91	MS	DLB	DLB
1-25-91	MS	DLB	DLB
1-25-91	MS	DLB	DLB



Ref	ASC Part No	Description	GM
1	A - 27X0 - 3112	TOP STACK ASSY - COMPLETE	
A	X - 0090 - 0053 - AXXX	TAPE	
B	X - 0090 - 2444 - XZDX	RIVET (1 8 x 187)	
C	W - 27X0 - 0250	COVER ASSY - COMPLETE	
D	X - 0050 - 0533 - XXXX	STAPLE	
E	X - 26X0 - 2035	RETAINER - COVER ASSY TOP	20498014
F	X - 0050 - 1910 - XZJX	SCREW (8 - 18 x 625)	11508231
G	W - 27X0 - 4544	STAY PAD - REAR	12504753
H	X - 0050 - 0073 - XZZX	SCREW (8 - 18 x 38)	20365273
J	A - 27X0 - 3215	CABLE ASSY - SIDE RETAINER	12508253
K	X - 0080 - 2695 - XZTX	CLAMP	12398719
L	X - 0090 - 1380 - XYBX	SCREW (8 - 18 x 25)	12390891
M	W - 27X0 - 3122	STAY PAD - SIDE (RH)	12504742
W	W - 27X0 - 3123	(LH)	12504743
2	X - 0090 - 1388 - XXXX	RETAINER	20540336
3	(SEE SHEET 4A)	TOP STACK ASSY - LESS TRIM	
A	X - 0080 - 0057 - DXXX	TAPE	
4	X - 0080 - 0355 - AXXX	ADHESIVE - CONTACT BOND	
5	V - 27X0 - 7527	RETAINER - COVER TOP FRONT	12386209
6	X - 0050 - 1910 - XZJX	SCREW (8 - 18 x 625)	11508231
7	A - 27X0 - 6901	MOLDING - NO 1 BOW GARNISH	12508210
8	X - 0080 - 0375 - AXXX	SOUND PAD - MORTELL	
9	X - 0080 - 0195 - BXXX	TAPE	
10	X - 0050 - 0073 - XZZX	SCREW (8 - 18 x 38)	20365273
11	X - 0090 - 1919 - XZQX	RIVET (1 8 x 125)	12398848

VIEW D

VIEW E

VIEW B

VIEW A

VIEW C

DRAWING RELEASED 1-25-91

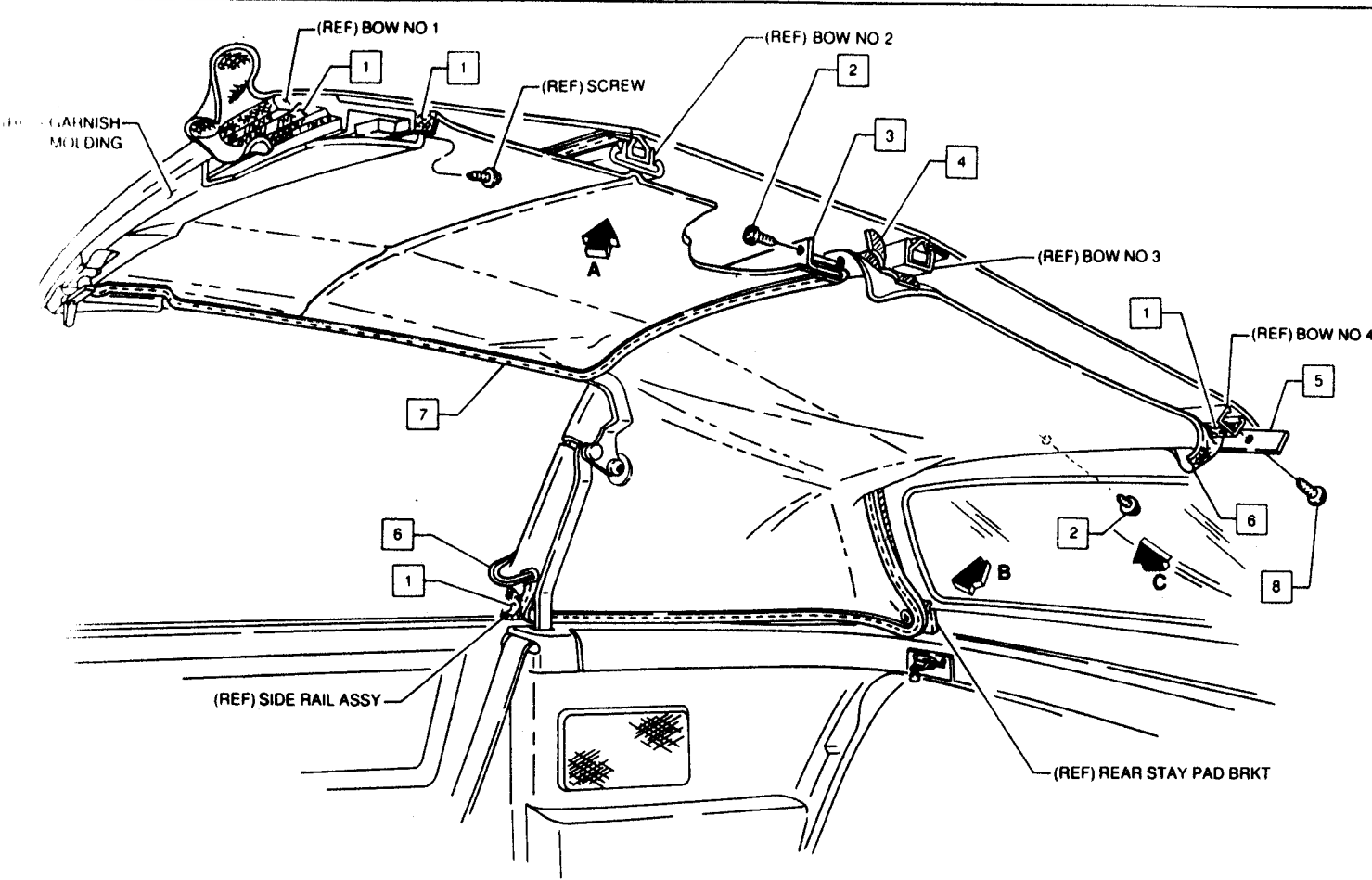
PCB LBY REVISIONS DATE DR CK TAP

asc ABC Incorporated
 Originals Department
 Engineering Center
 Southgate Michigan 48196

1-25-91
 N. BEGLAU
 MADE BY
 N. WATSON
 CHECKED BY
 C. WOODR
 APPROVED BY
 S. GIBSON

1991.5 "F" BODY CONVERTIBLE
 COVER ASSEMBLY - TOP

A-27X0-4960-AXXX SHEET 4D

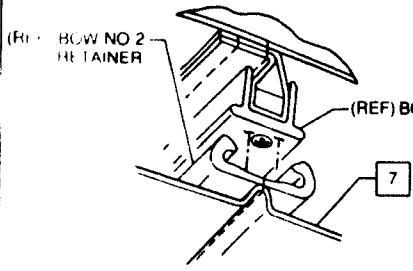


Ref	ASC Part No	Description	GM
	(SEE SHEET 4D)	TOP STACK ASSY - COMPLETE	
1	X - 00M0 - 0555 - AXXX	ADHESIVE - CONTACT BOND	
2	X - 00S0 - 0073 - XZZX	SCREW (8 - 18 x 38)	20365273
3	W - 27X0 - 7653	RETAINER - HEADLINER BOW NO 3	12506508
4	X - 00M0 - 0126 - KXXX	TAPE	
5	A - 27X0 - 5955	RETAINER - HEADLINER BOW NO 4	12506509
6	W - 27X0 - 4747	HEADLINER ASSY - REAR	
7	A - 27X0 - 4746	HEADLINER ASSY - FRONT	
8	X - 00B0 - 0001 - XZZX	SCREW (8 - 18 x 50)	

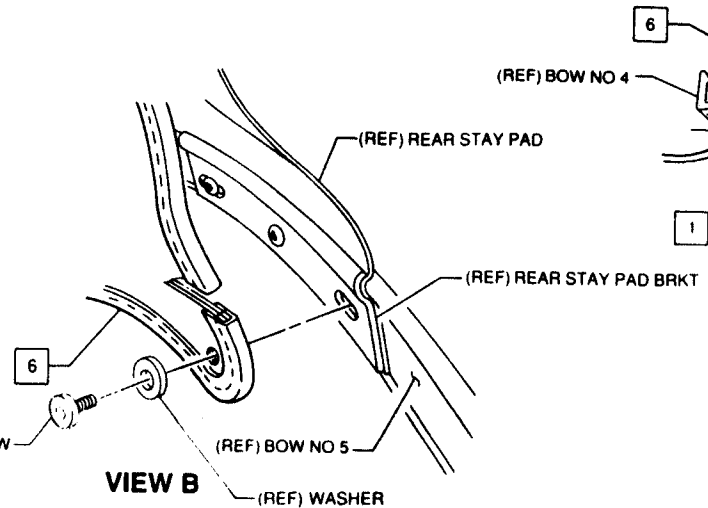
SERVICE ONLY

[A : 27X0 - 8542] PACKAGE - HEADLINER

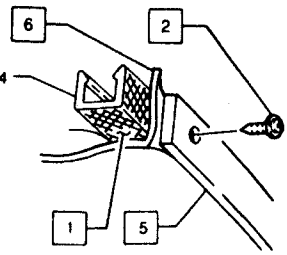
CONSISTS OF: [6] [7]



VIEW A




VIEW B



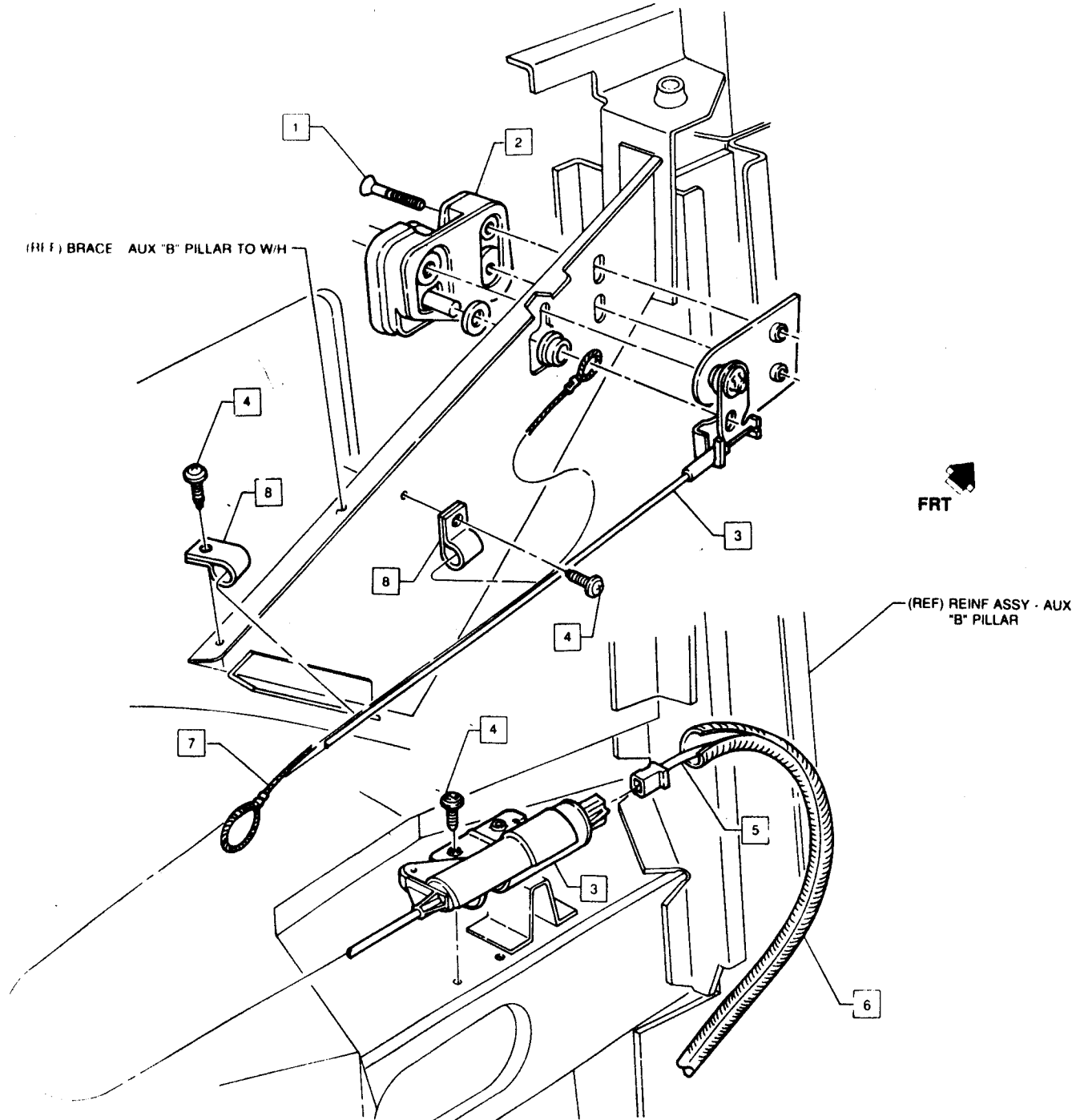
VIEW C

DRAWING RELEASED		1-28-91	100	20365273
FOR LET	REVISIONS	DATE	CHK	TAP
		ASC Incorporated Graphics Department Engineering Center Southgate Michigan 48196		
1991.5 "F" BODY CONVERTIBLE HEADLINER ASSEMBLY		1-28-91 DRAWN BY M. BRIDGEMAN CHECKED BY R. KWALTON DESIGNED BY C. WEBER DRAWN BY S. DENMORE		
A-27X0-4960-AXXX		SHEET 4E		

SHEET	TITLE
5	CONTENTS - INTERIOR TRIM
5A	TONNEAU LATCH ASSEMBLY
5B	FRONT SEAT - SHOULDER BELT ASSEMBLY
5C	QUARTER TRIM PANEL ASSEMBLY (CAMARO)
5D	QUARTER TRIM PANEL ASSEMBLY (FIREBIRD)
5E	QUARTER TRIM PANEL INSTALLATION - WEDGE PLATE AND VALVE ASSEMBLY
5F	QUARTER TRIM CAP AND MUCKET INSTALLATION
5G	REAR SEAT RESTRAINT SYSTEMS
5H	TRUNK TRIM (CAMARO)
5J	TRUNK TRIM (FIREBIRD)
5K	HEADER ASSEMBLY
5L	KNOB ADJUSTMENT - HEADREST (FIREBIRD)

DRAWING RELEASED		1-29-91	CW	
PCR	LET	DATE	DR	CK
				APP
		<small>Asc Corporation Engineering Center Springville, Michigan 49781</small>		
1991.5 "F" BODY CONVERTIBLE		COMPLETION DATE 1-28-91		
CONTENTS - INTERIOR TRIM		DRAWN BY C WEBER		
A-27X0-4960-AXXX		CHECKED BY J. MCHAMARA		
SHEET 5		APPROVED BY C WEBER		
		APPROVED BY S. BEMORE		

Ref	ASC Part No	Description	GM
1	X - 0050 - 1546 - XYSX	SCREW (M6 x 10 x 30.0)	14100240
2	R - 61X0 - 2740	LATCH ASSY (RH)	14082744
	R - 61X0 - 2741	(LM)	14082745
3	B - 24X0 - 0450	SOLENOID ASSY - FRT F/T BI/COMPT (RH)	14100362
	B - 24X0 - 0451	(LM)	14100361
4	X - 0050 - 0173 - XWSX	SCREW (8 - 18 x 50)	20504108
5	A - 27X0 - 2321	HARNESS ASSY - TONNEAU SOL REL	
6	M - 21X0 - 3568	COVER - HARNESS WIRE PROTECTOR	
7	T - 27X0 - 7593	CABLE ASSY S C MANUAL RELEASE	12331736
8	X - 0050 - 1263 - XXXX	CLIP - TUBING	12331737



FRT

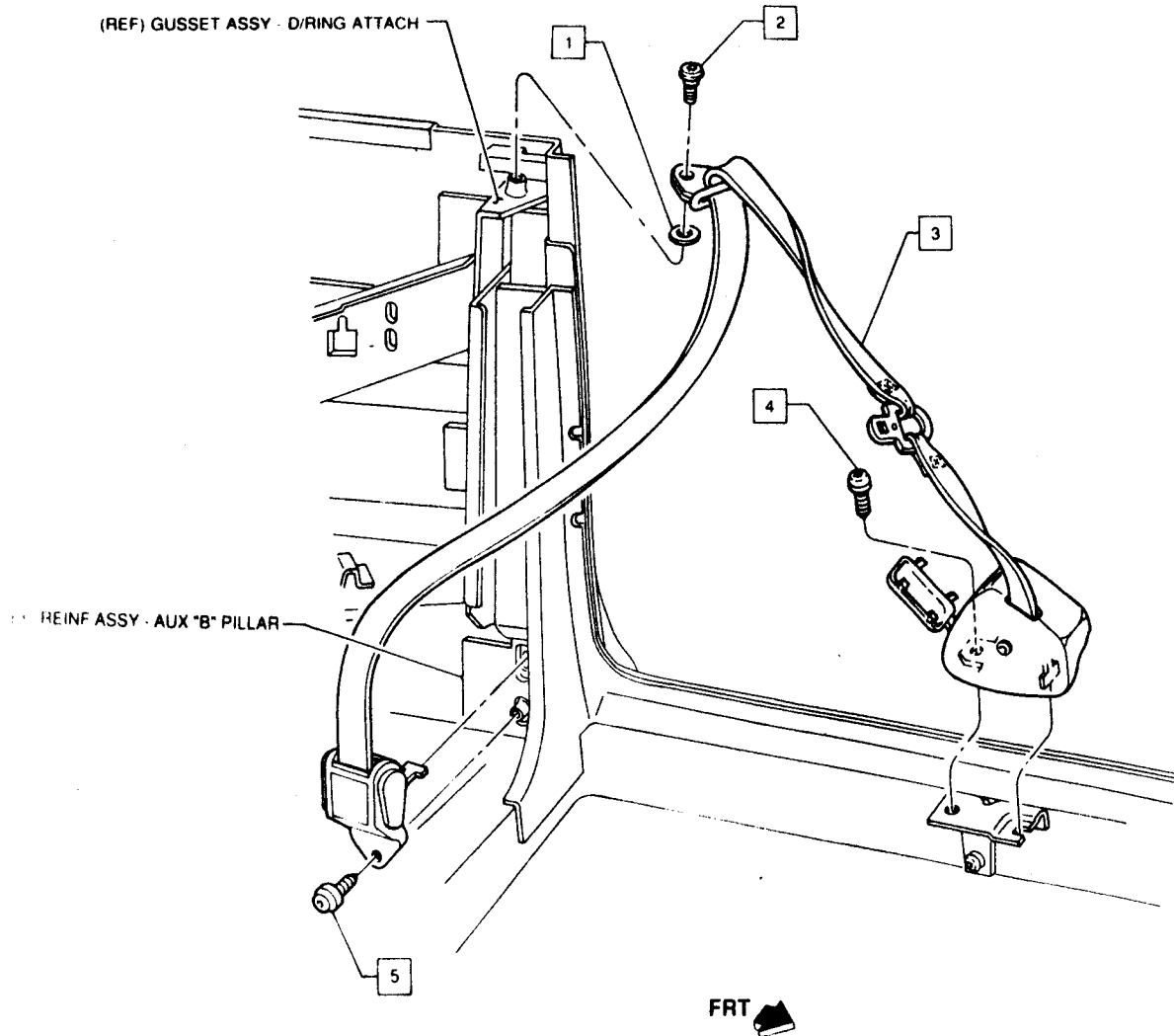
(REF) REINF ASSY - AUX "B" PILLAR

DRAWING RELEASED		1-25-91	12331736
PCN	LET	REVISIONS	DATE OR CK APP
asc		ASC Incorporated Graphics Department Engineering Center Southgate Michigan 48196	1-25-91 M. DEOLAU
TITLE			DESIGNED BY
1991.5 "F" BODY CONVERTIBLE TONNEAU LATCH ASSEMBLY			C. WISER
PART NUMBER			CHECKED BY
A-27X0-4960-AXXX SHEET 5A			S. DENMORE

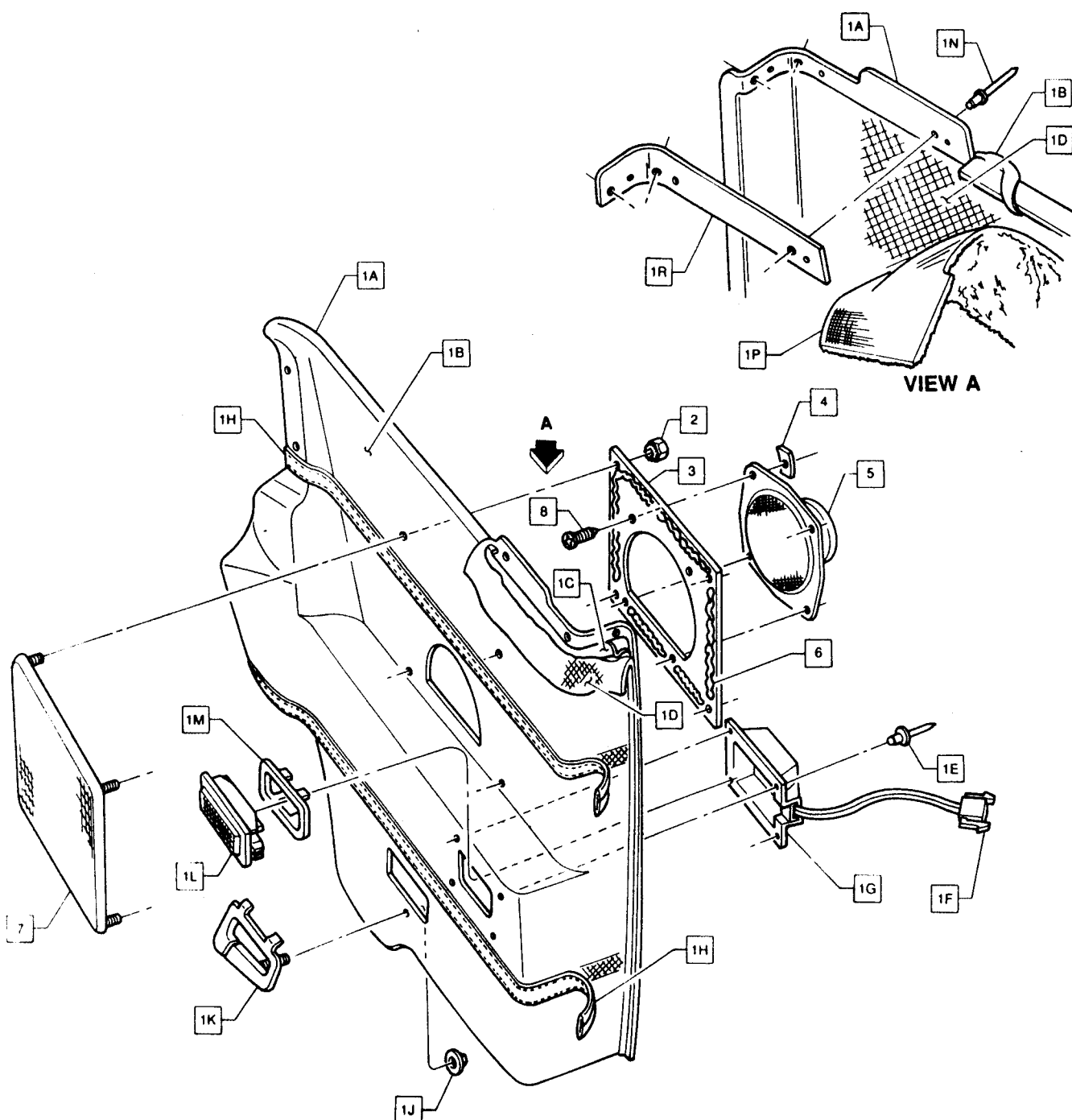
Ref	ASC Part No	Description	GM
1	X - 0050 - 1852 - XXXX	WASHER	
2	X - 0050 - 0687 - XXXX	BOLT (M12 x 1.75 x 25.0)	20247308
3	W - 27X0 - 3010	RETR BELT ASSY - FRT SEAT (RH)	
		(LH)	
4	X - 0050 - 1694 - XZTX	BOLT (7/16 - 20 x 1.38)	
5	X - 0050 - 0733 - XZTX	BOLT (M12 x 1.75 x 25.0)	20227973

SERVICE ONLY

W - 27X0 - 8044-45	RETR BELT ASSY - FRT ST (RHLH)	
CONSISTS OF:		3



PCB	LET	DATE	REV	BY	CHK	APP
DRAWING RELEASED		1-26-91	000			
REVISIONS		DATE	OK	CHK	APP	
asc		ASC Incorporated Graphics Department Engineering Center Southgate Michigan 48196		1-26-91 ILLUSTRATED BY M. BEGLAU		1-26-91 CHECKED BY MONTGOMERY
TITLE		1991.5 "F" BODY CONVERTIBLE FRONT SEAT SHOULDER BELT ASSEMBLY		DRAWN BY C. WEBER		DESIGNED BY S. BERNHORN
PART NUMBER		A-27X0-1060-AYXX		SHEET 5B		



Ref	ASC Part No	Description	GM
1	A - 27X0 - 1568	PANEL ASSY QTR TRIM INR (RH)	
	A - 27A0 - 1568	(RH) [OPTIONAL]	
	A - 27X0 - 1569	(LH)	
	A - 27A0 - 1569	(LH) [OPTIONAL]	
A	A - 27X0 - 1214	TRIM PANEL - QTR INNER (RH)	
	A - 27X0 - 1215	(LH)	
B	A - 27X0 - 3356	COVER ASSY QTR TRIM PANEL (RH)	
	A - 27A0 - 3356	(RH) [OPTIONAL]	
	A - 27X0 - 3357	(LH)	
	A - 27A0 - 3357	(LH) [OPTIONAL]	
C	X - 00M0 - 0116 - AXXX	PAD - FOAM	
D	X - 00M0 - 0132 - AXXX	ADHESIVE - SYN RUBBER	
E	X - 00S0 - 0246 - XXXX	RIVET (1/8 x 3/12)	
F	A - 27X0 - 3718	JUMPER - COURTESY LAMP	
G	N - 26X0 - 3874	COVER - COURTESY LAMP BACKING	
H	S - 2FX0 - 1626	DIVIDER - STRIP (RH)	
	S - 2FX0 - 1627	(LH)	
J	X - 00S0 - 0719 - XZTX	NUT	20049922
K	V - 26X0 - 3702	BEZEL - SEAT RETRACTOR (RH)	
	V - 26X0 - 3703	(LH)	
L	A - 27X0 - 3559	LAMP ASSY - COURTESY	
M	N - 26X0 - 3561	RETAINER - COURTESY LAMP	20367850
N	X - 00B0 - 0348 - XXXX	RIVET (1/8 x 126)	
P	T - 27X0 - 2491	CARPET - QTR TRIM PANEL (RH)	
	T - 27X0 - 2491	(LH)	
R	T - 27X0 - 0153	PLATE - B-PLR CAP TAPPING	
2	X - 00S0 - 0776 - XXXX	NUT & WSHR ASSY	11501913
3	A - 27D0 - 7430	ADAPTOR PLATE - SPEAKER MTG (RH)	
	A - 27D0 - 7431	(LH)	
4	X - 00S0 - 1362 - XXXX	NUT - PUSH ON	12510053
5	S - 2FX0 - 3209	SPEAKER - REAR QTR	16022090
	A - 27X0 - 2082	SPEAKER - REAR PREMIUM [OPTIONAL]	16146805
6	X - 00M0 - 0189 - AXXX	ADHESIVE	
7	M - 26X0 - 3671	GRILLE ASSY - SPEAKER	
8	X - 00S0 - 1873 - XZTX	SCREW (8 - 18 x 1.00)	11508448

SERVICE ONLY

A - 27X0 - 8068-89	PKG - PNL ASSY QTR TRIM (RH/LH)												
CONSISTS OF:	<table border="1"> <tr> <td>1A</td> <td>1B</td> <td>1D</td> <td>1E</td> <td>1F</td> <td>1G</td> </tr> <tr> <td>1H</td> <td>1L</td> <td>1M</td> <td>1N</td> <td>1P</td> <td>1R</td> </tr> </table>	1A	1B	1D	1E	1F	1G	1H	1L	1M	1N	1P	1R
1A	1B	1D	1E	1F	1G								
1H	1L	1M	1N	1P	1R								

SERVICE ONLY

A - 27A0 - 8068-89	PKG - PNL ASSY QTR TRIM (RH/LH) [OPTIONAL]												
CONSISTS OF:	<table border="1"> <tr> <td>1A</td> <td>1B</td> <td>1D</td> <td>1E</td> <td>1F</td> <td>1G</td> </tr> <tr> <td>1H</td> <td>1J</td> <td>1M</td> <td>1N</td> <td>1P</td> <td>1R</td> </tr> </table>	1A	1B	1D	1E	1F	1G	1H	1J	1M	1N	1P	1R
1A	1B	1D	1E	1F	1G								
1H	1J	1M	1N	1P	1R								

DRAWING RELEASED

1-25-91

asc

1991.5 "F" BODY CONVERTIBLE
QUARTER TRIM PANEL ASSEMBLY (CAMARO)

A-27X0-4960-AXXX SHEET 5C

DATE DR CK APP

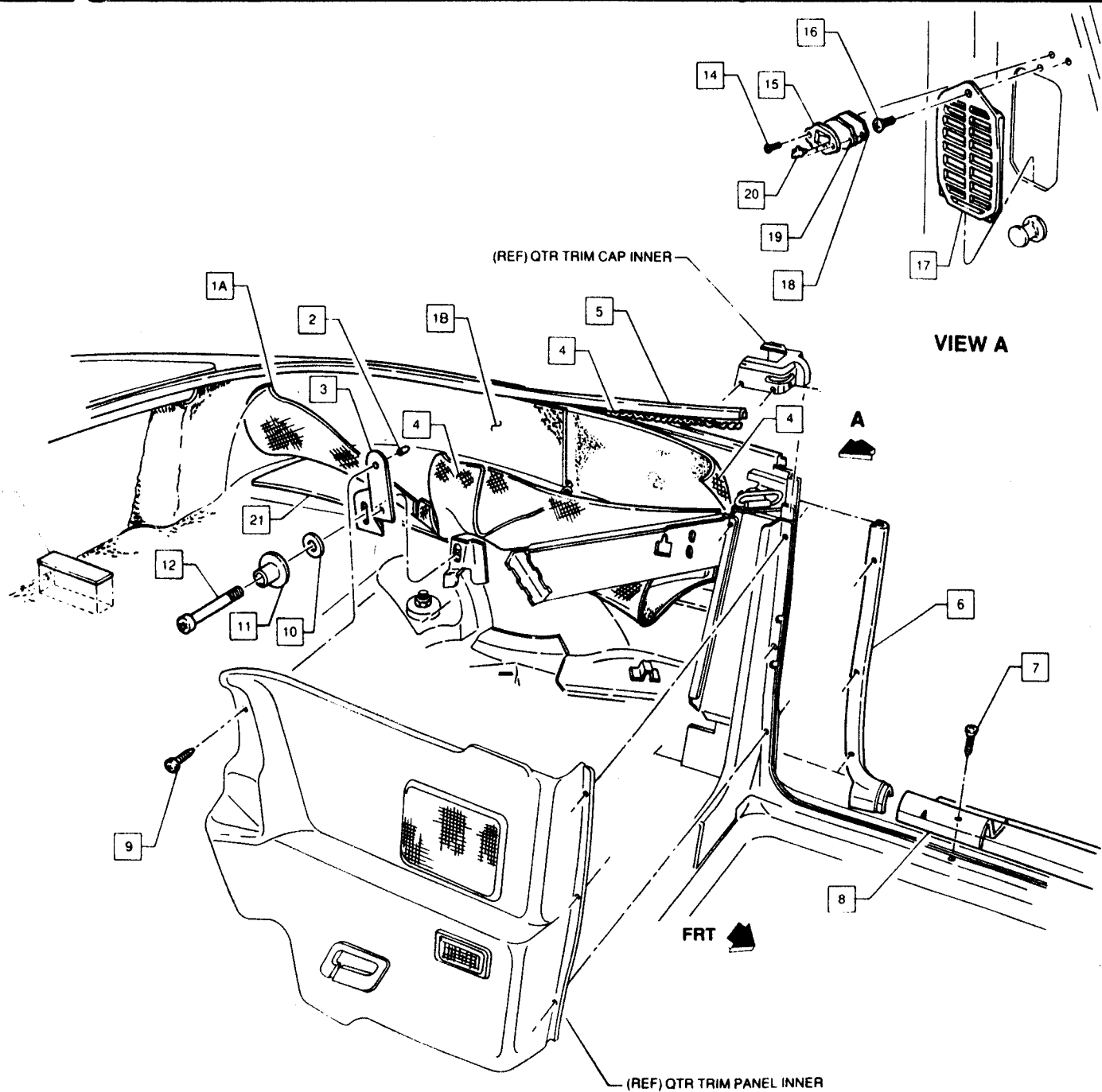
1-25-91

D WHILLE

MONTGOMERY

C WEBER

S SENSORE



Ref	ASC Part No	Description	GM
1	T - 27X0 - 7306	CARPET ASSY - WHEELHOUSE (RH)	12982511
	T - 27X0 - 7307	(LM)	12992512
A	T - 27X0 - 0732	CARPET - WHEELHOUSE BOTTOM (RH)	
	T - 27X0 - 0733	(LM)	
B	T - 27X0 - 3834	CARPET - WHEELHOUSE SIDE (RH)	
	T - 27X0 - 3835	(LM)	
2	X - 0090 - 0652 - XXXX	CAP	
3	T - 27X0 - 3140	BRKT - QTR TRIM ATTACHING (RH)	12331762
	T - 27X0 - 3141	(LM)	12331764
4	X - 00M0 - 0132 - AXXX	ADHESIVE - SYN RUBBER	
5	X - 00M0 - 0051 - EXXX	WELT - CORD	
6	V - 27X0 - 1488	MLDG - B PLR PINCH WELD COMPT (RH)	
	V - 27X0 - 1489	(LM)	
7	Z - 0050 - 2365 - XZTX	SCR & WSHR ASSY (M4 2 x 1.41 ± 20.0)	11508614
8	Z - 27X0 - 5416	MOLDING - SILL PLATE (RH)	
	Z - 27X0 - 5417	(LM)	
9	X - 0090 - 0071 - XYNX	SCR & WSHR ASSY (8 - 18 x 75)	
10	Z - 0050 - 2360 - XZTX	WASHER	1727058
11	Z - 0050 - 2368 - XXXX	SLEEVE	20302572
12	Z - 0050 - 2362 - XZTX	BOLT (M10 x 1.5 x 65.50)	20148470
13	T - 27X0 - 6845	PLATE - TRUNK CARPET WEAR	
14	Z - 0050 - 2821 - XXXX	SCREW (M4 2 x 16.0)	11508647
15	R - 28X0 - 3132	WEDGE PLATE - B PLR	20329444
16	X - 0050 - 0099 - XWNS	WEDGE PLATE - B PLR VENT	12500251
17	Z - 27X0 - 7715	VALVE ASSY - B PLR VENT	8788235
18	S - 27A0 - 0181	SHIM - WEDGE PLATE 2"	20452861
19	S - 27X0 - 0181	SHIM - WEDGE PLATE 1"	20452850
20	X - 00M0 - 0292 - AXXX	LUBRICANT - DOOR EASE	9906819
21	M - 21X0 - 3436	DEADENER - WHEELHOUSE	

SERVICE ONLY

T - 27X0 - 8210 | WELT - CORD | 12331807

CONSISTS OF 5

DRAWING RELEASED 1-25-91

FOR LET REVISIONS DATE CH CK APP

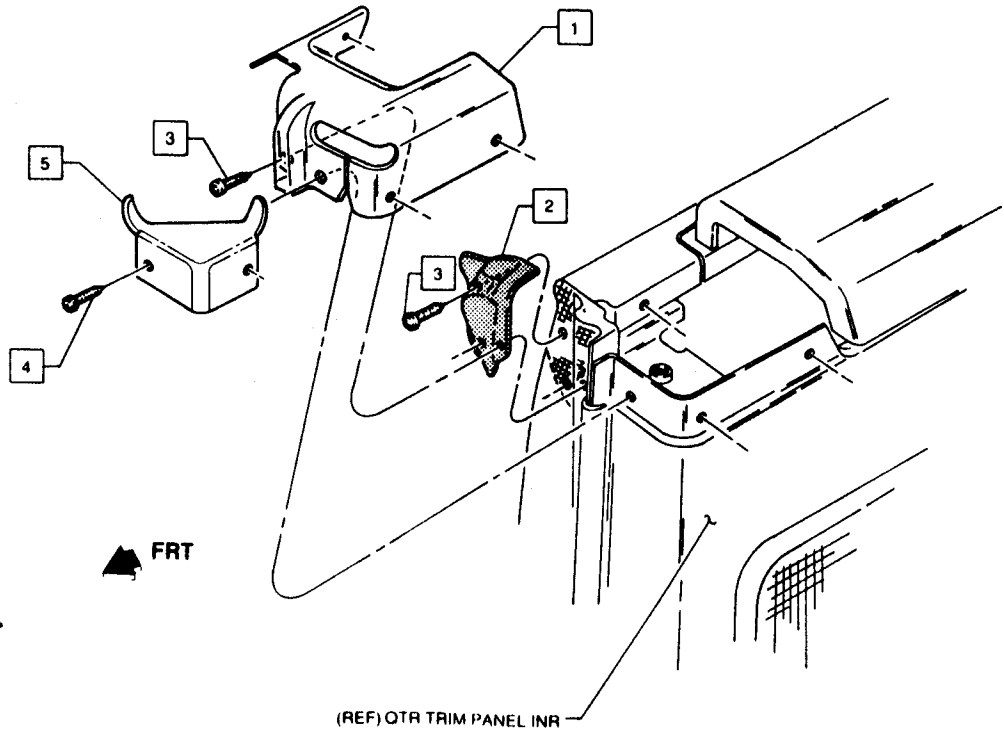
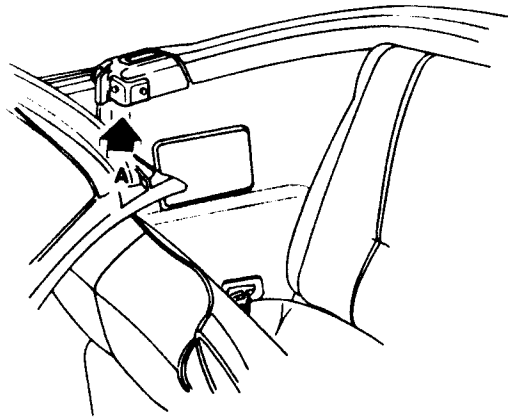
asc. Incorporated
Graphics Department
Engineering Center
Southgate, Michigan 48196

1-25-91
DESIGNED BY M. BOGLAU
CHECKED BY M. MONTGOMERY
REVISED BY C. WEBER
DRAWN BY S. BEHRENS

1991.5 "F" BODY CONVERTIBLE
QUARTER TRIM PANEL INSTALLATION - WEDGE
PLATE AND VALVE ASSEMBLY

DWG NUMBER A-27X0-4960-AXXX SHEET 5E

Ref	ASC Part No	Description	GM
1	A - 27X0 - 2329	TRIM CAP - QTR INR UPR (RH)	12508309
	A - 27X0 - 2329	(LM)	12508309
2	W - 27X0 - 3422	SEAL - LOCK PILLAR MUCKET (RH)	12504732
	W - 27X0 - 3423	(LM)	12504733
3	X - 0050 - 0173 - XWSX	SCREW (8 - 18 x .50)	20504108
4	X - 0050 - 0071 - XYNX	SCR & WSHR ASSY (8 - 18 x .75)	
5	A - 27X0 - 5008	BEZEL - SHOULDER BELT (RH)	12508710
	A - 27X0 - 5009	(LM)	12508711



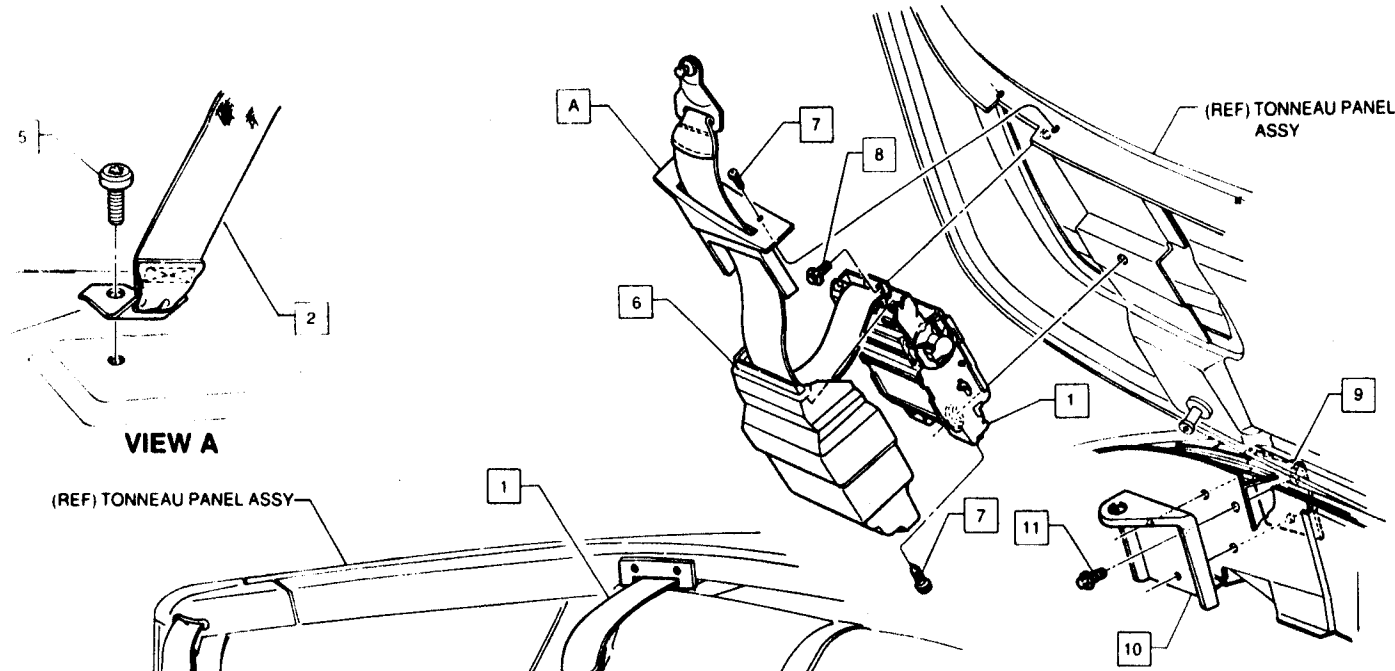
VIEW A

DRAWING RELEASED		1-28-81	MS
REV	LET	REVISIONS	DATE OR
asc		ASC Incorporated Graphics Department Engineering Center Westland, Michigan 48186	
TITLE		1991.5 "F" BODY CONVERTIBLE QUARTER TRIM CAP AND MUCKET INSTALLATION	
PART NUMBER		A-27X0-4960-AXXX SHEET 5F	
DESIGNED BY		M KWALTON	
CHECKED BY		C WEBER	
APPROVED BY		S BISHOP	

Ref	ASC Part No	Description	GM
1	W - 27X0 - 3160	RETR ASSY - RR ST SHLDR BELT (RH) (LM)	
2	W - 27X0 - 5411	CINCH LAP BELT REAR	
3	2 - 27X0 - 3676	BUCKLE - REAR SEAT BELT	
4	2 - 0050 - 2359 - XZTX	SCR & WSHR ASSY (M8 x 1.25 x 35.0)	20432000
5	X - 0050 - 0733 - XZTX	BOLT (M12 x 1.75 x 25.0)	20227973
6	W - 27X0 - 1088	CVR - RR ST SHOULDER BELT RETR	12905468
7	X - 0050 - 0001 - XZAX	SCREW (8 - 18 x 50)	12296183
8	X - 0050 - 2001 - XZTX	SCREW (M8 x 1.25 x 20.0)	20251000
9	V - 27X0 - 4466	PLATE ASSY - RCVR PIN BRKT TAPPING	12296151
10	V - 27X0 - 2594	BRKT - SECONDARY PIN RECEIVER	12504760
11	X - 0050 - 0634 - XZZX	BOLT (5.16 - 18 x 75)	

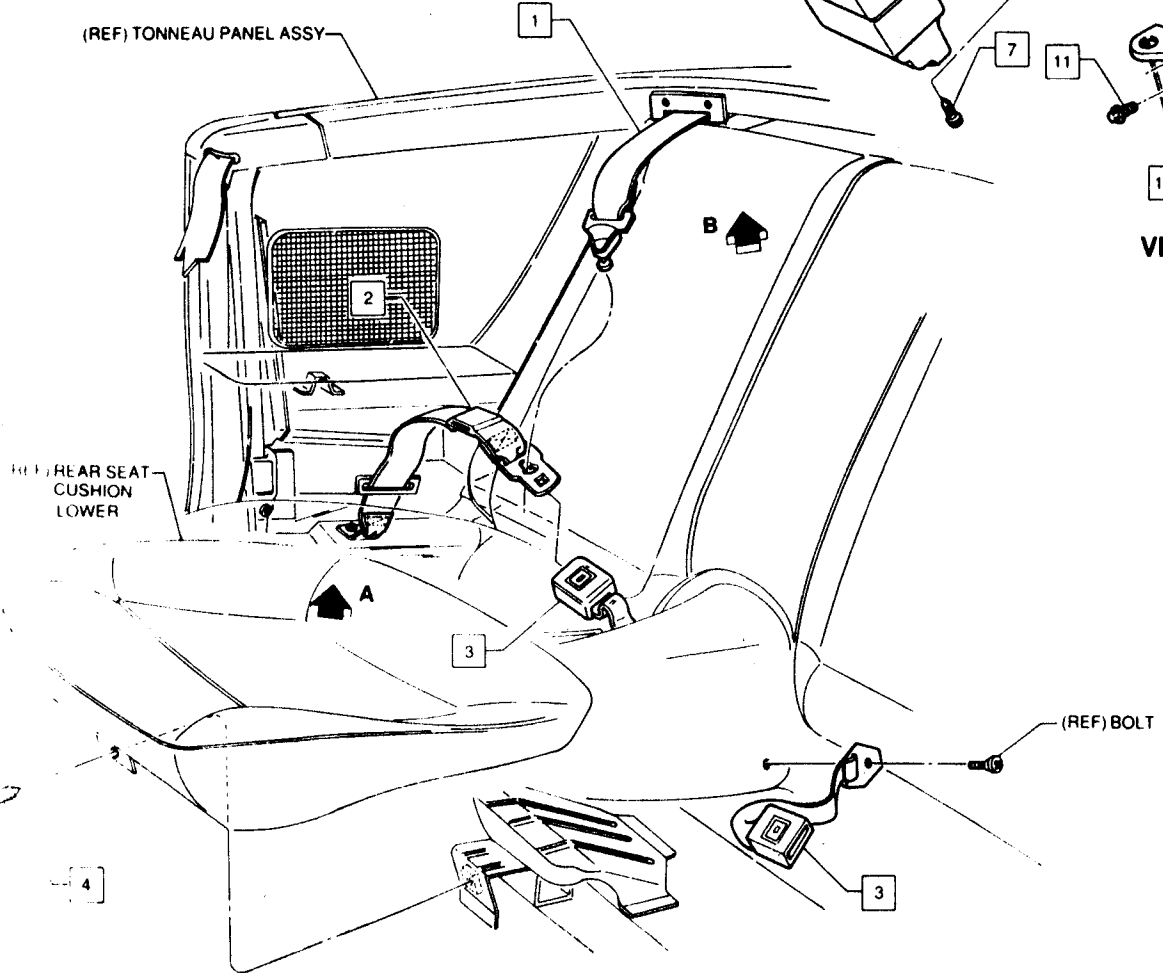
SERVICE ONLY

W - 27X0 - 8346 47	RETR ASSY - RR ST SHLDR BLT (RH LM)	
CONSISTS OF		1
A V - 27X0 - 8258 57	ESCUT - RR SHLDR ST BELT (RH LM)	12308310.11
W - 27X0 - 8374	CINCH - LAP BELT REAR	
CONSISTS OF		2



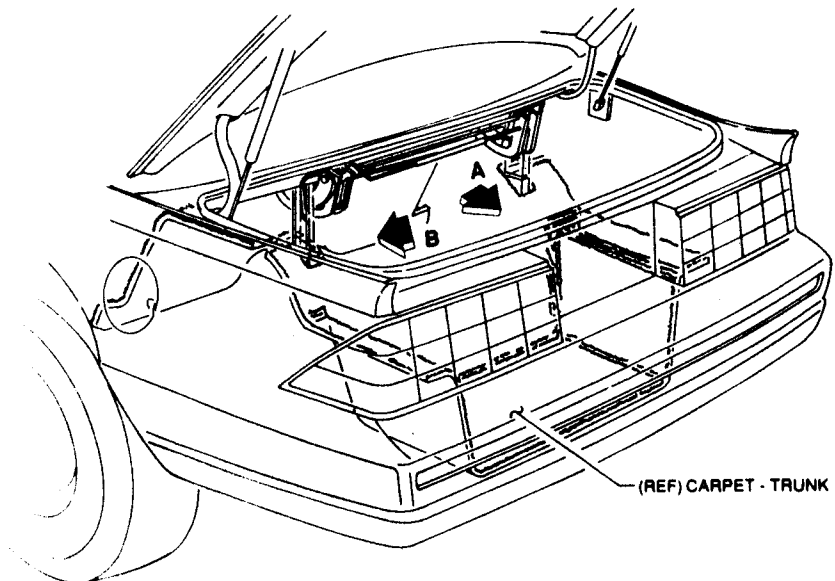
VIEW A

VIEW B

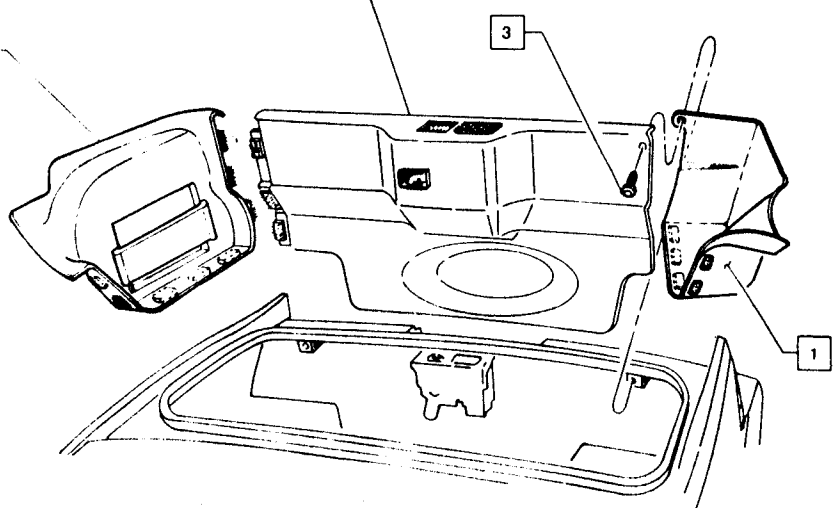


PCN	LET	REVISIONS	DATE	CHK	APP
		ASC Incorporated Graphics Department Engineering Center Southgate Michigan 48199	1-25-91	JK	
1991.5 "F" BODY CONVERTIBLE REAR SEAT RESTRAINT SYSTEMS					1-25-91 J. KANG C. WEDER S. BOWMORE
A-27X0-4960-AXXX					SHEET 5G

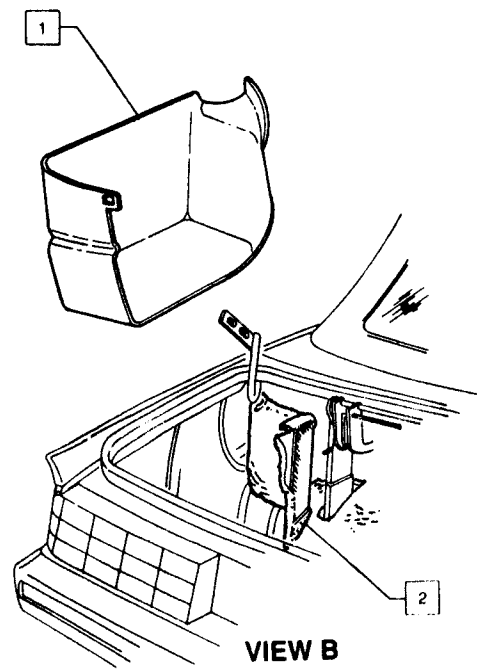
Ref	ASC Part No	Description	GM
1	A - 27X0 - 7950 A - 27X0 - 7951 (LM)	CARPET - INNER REAR QTR PANEL (RH)	12508946
2	V - 27X0 - 2318 A - 27X0 - 2319 (LM)	TRIM PNL ASSY - CARGO FRONT (RH)	12500222
3	2 - 0050 - 2825 - XXXX	RETAINER	20387248



(REF) TRIM PANEL ASSY - CARGO REAR



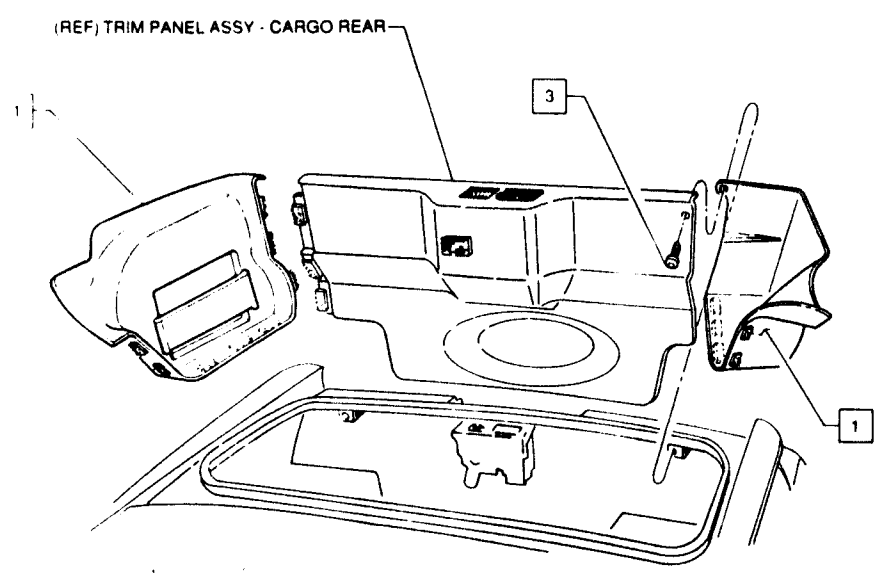
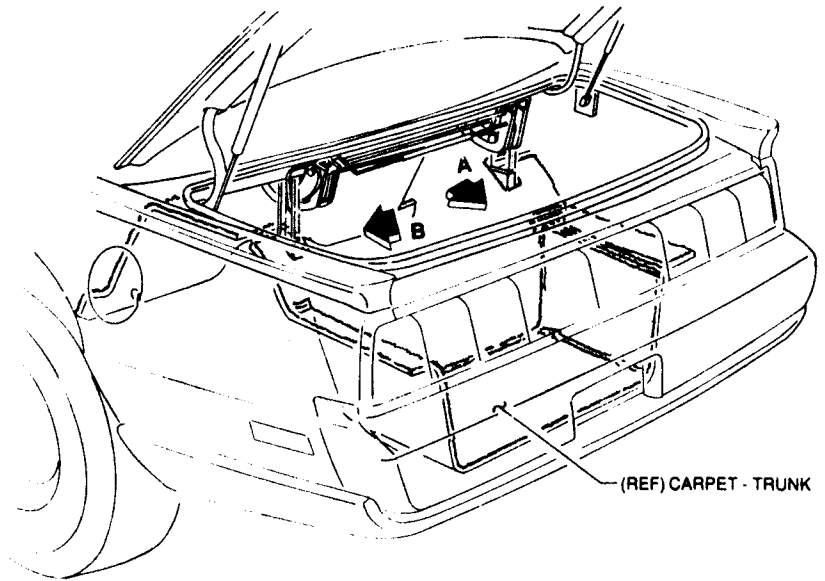
VIEW A



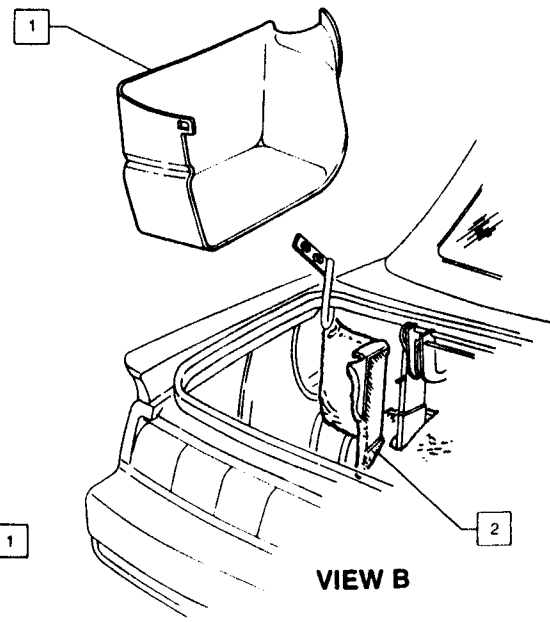
VIEW B

DRAWING RELEASED		1 25 91	MD	
PCR	1 1 1	REVISIONS	DATE	DR
asc		1-25-91		
1991.5 "F" BODY CONVERTIBLE				
TRUNK TRIM (CAMARO)				
A-27X0-4960-AXXX		SHEET	5H	

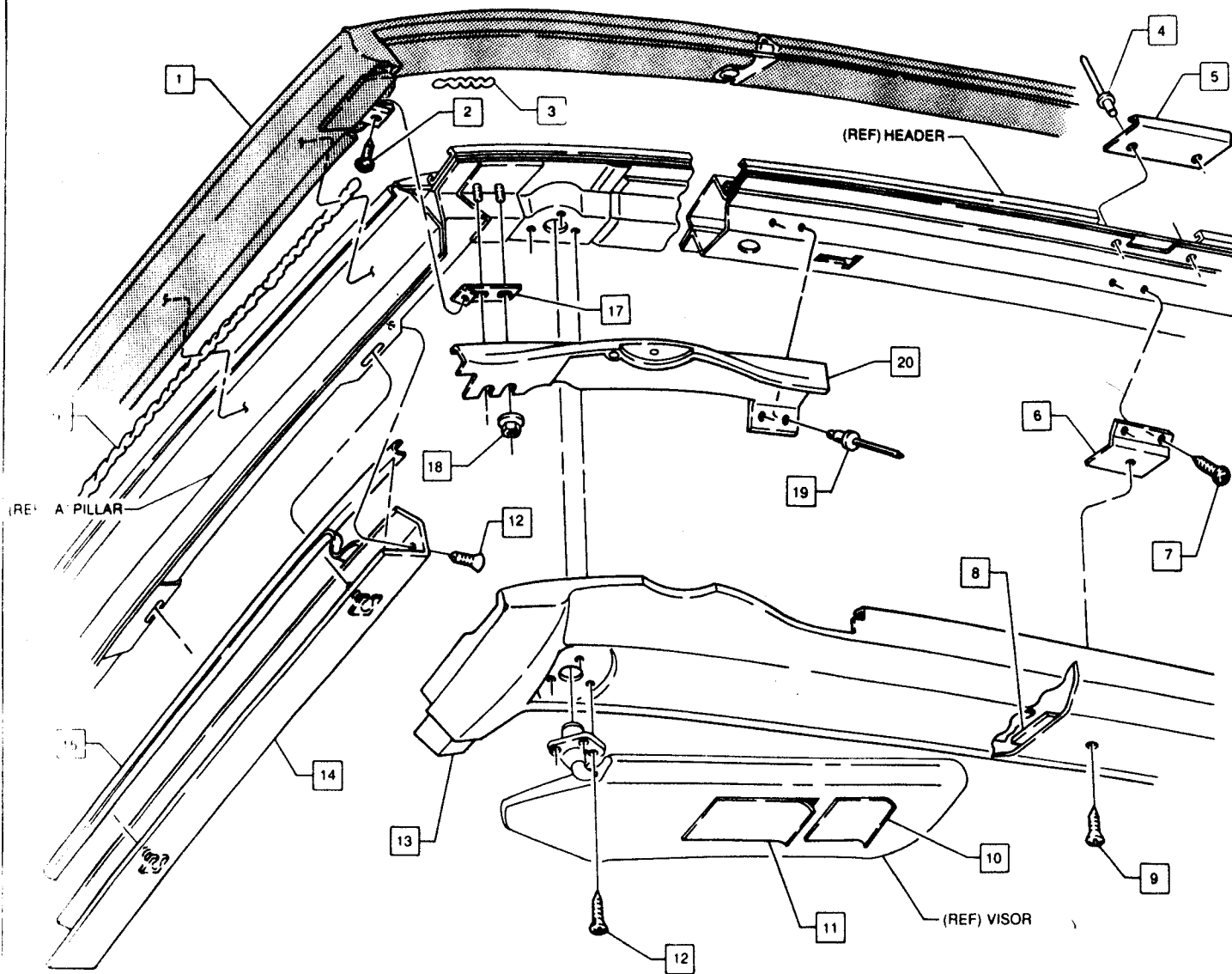
Ref	ASC Part No	Description	GM
1	A - 27X0 - 7950	CARPET - INNER REAR QTR PNL (RH)	12500946
	A - 27X0 - 7951	(LH)	12500947
2	V - 27X0 - 2118	TRIM PNL ASSY CARGO FR1 (RH)	12500222
	A - 27X0 - 2319	(LH)	12500223
3	Z - 0080 - 2825 - XXXX	RETAINER	20387349



VIEW A



PCR	LET	DRAWING RELEASED		1-25-91	MS	DATE	DR	CK	APP
		REVISIONS							
		1991.5 "F" BODY CONVERTIBLE TRUNK TRIM (FIREBIRD)							
A-27X0-4960-AXXX		9HEF1		5J					
				1-25-91		M BEGLAU			
						MONTGOMERY			
						C WEBER			
						S BEMMON			

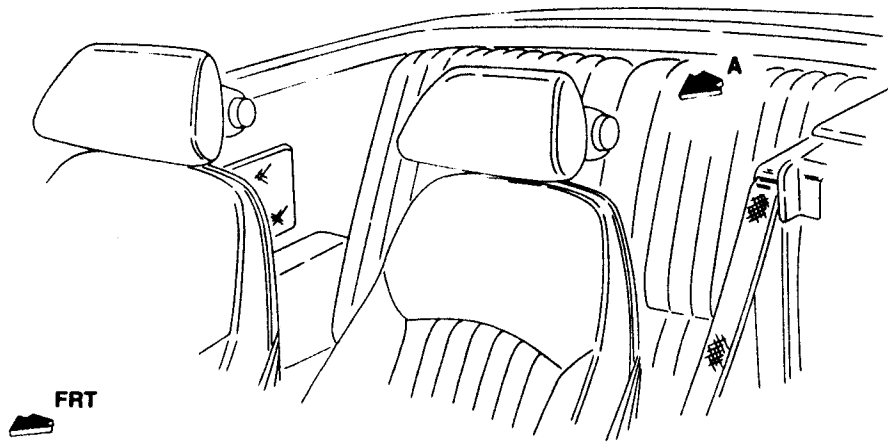
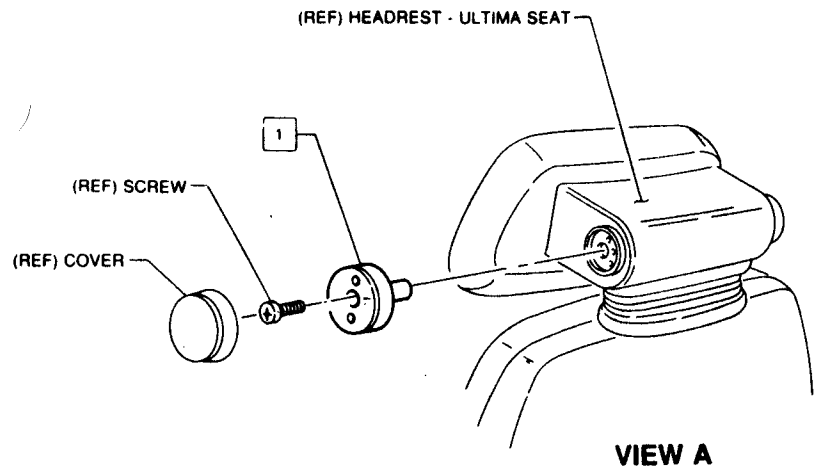


Ref	ASC Part No	Description	GM
1	A - 27X0 - 3400	SEAL HEADER A PLR	
2	X - 0090 - 0090 - XWNS	SCREW (8 - 18 x 62)	12906281
3	X - 0090 - 0120 - AXXX	CAULKING	
4	X - 0090 - 0180 - XXXX	RIVET (18 x 375)	
5	T - 27X0 - 2801	BRKT - W S HEADER FILLER	12331723
6	V - 27X0 - 0002	BRKT - HDR GARNISH ATTACHING	12501717
7	X - 0050 - 0173 - XWSX	SCREW (8 - 18 x 50)	20504108
8	X - 0090 - 0195 - BXXX	TAPE - FOAM	
9	X - 0090 - 0701 - XZTX	SCR & WSHR ASSY (M4.2 x 1.41 x 13.0)	11505156
10	W - 27X0 - 1439	LABEL - INFLATABLE RST SYSTEM	10125254
11	T - 27X0 - 7062	LABEL - VISOR INSTRUCTIONS	
12	X - 0050 - 1954 - XZTX	SCR & WSHR ASSY (8 - 18 x 1.25)	12505391
13	A - 27X0 - 3285	GARNISH - HEADER INNER	12509311
14	V - 27X0 - 1130	GARNISH - A PLR INNER (RH)	12331750
15	V - 27X0 - 1131	(LH)	12331751
16	X - 0090 - 0057 - DXXX	TAPE - FOAM	
17	X - 0090 - 0180 - AXXX	ADHESIVE - W STR	
18	V - 27X0 - 1335	BRKT - A-5 SEAL JOINT ATTACH	12399881
19	X - 0090 - 0282 - XZZX	NUT & WSHR ASSY	
20	V - 27X0 - 0854 - XXXX	RIVET (25 x 625)	
20	V - 27X0 - 9084	PLATE ASSY - HOUSING HDR LATCH (RH)	12508208
	V - 27X0 - 9085	(LH)	12508207

DRAWING RELEASED

PCB (LET)	REVISIONS	DATE	BY	CHK	TAPP
asc		ASC Incorporated Graphics Department Engineering Center Springdale, Michigan 49783		1-25-91 J. KING	
FILE 1991.5 "F" BODY CONVERTIBLE HEADER ASSEMBLY				DESIGNED BY C. ALLEN	
PART NUMBER A-27X0-4960-AXXX SHEET 5K				CHECKED BY C. WOODRIF A. BISHOP	

Ref	ASC Part No	Description	GM
1	A-2700-3698	KNOB HEADREST	20426164



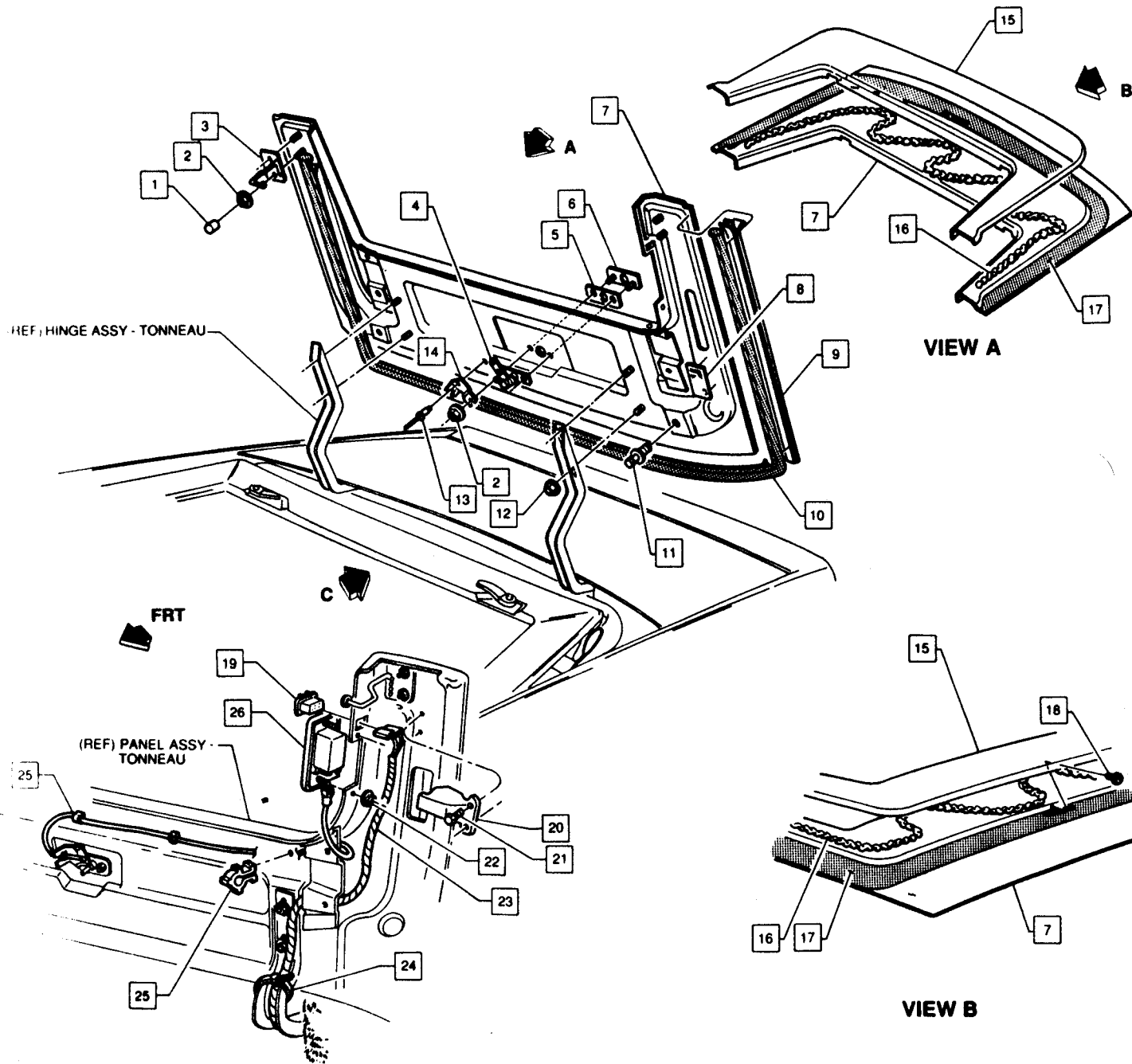
DRAWING RELEASED

PCB	LET	REVISIONS	DATE	DR	CR	APP
			1-25-01			
asc						
1991.5 "F" BODY CONVERTIBLE						
KNOB ADJUSTMENT - HEADREST (PIREBRO)						
A-27X0-4960-AXXX SHEET 5L						

M. L. DATE	1-25-01
D. HEARN	
D. VILLAROSA	
C. WISER	
S. BEMONE	

SHEET	TITLE
6	CONTENTS - EXTERIOR TRIM
6A	TONNEAU ASSEMBLY
6B	DECK LID LABELS AND HINGE ASSEMBLY - TONNEAU
6C	DECK LID ASSEMBLY (CAMARO)
6D	DECK LID ASSEMBLY (FIREBIRD)
6E	SPOILER AND QUARTER BELT MOLDING ASSEMBLY (CAMARO)
6F	SPOILER AND QUARTER BELT MOLDING ASSEMBLY (FIREBIRD)
6G	PENCIL BRACE INSTALLATION
6H	ROCKER MOLDINGS (CAMARO)
6J	ROCKER MOLDINGS (FIREBIRD)

DRAWING RELEASED		1-28-91	CV	1-28-91
FOR	DATE	BY	CHK	APP
ASC Incorporated Graphics Department Engineering Center Southgate Michigan 48186	1-28-91	C. WEBER		
1991.5 "F" BODY CONVERTIBLE CONTENTS - EXTERIOR TRIM				APPROVED BY S. BRIDGEMAN
A-27X0-1960-AYVY SHEET 6				

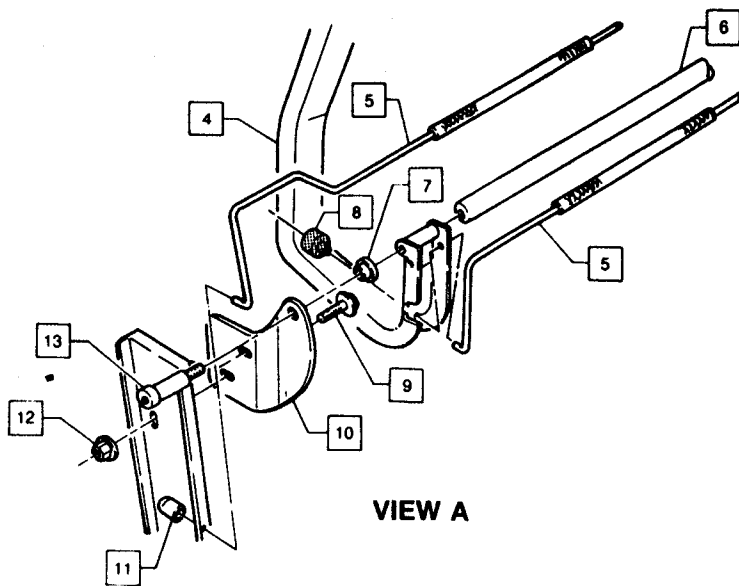
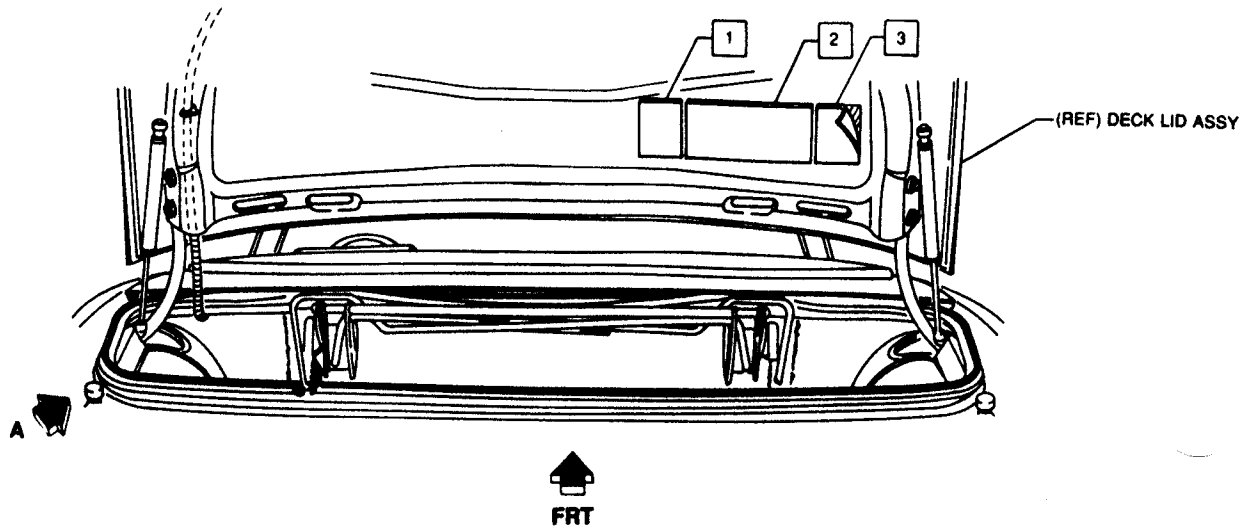


Ref	ASC Part No	Description	GM
1	X-6080-1863-XXXX	CAP	12388717
2	X-6080-0282-KZXX	NUT & WSHR ASSY	
3	T-27X0-7504	STKR ASSY - STOWAGE COMPT LID (FR)	12331730
		(LH)	12331734
4	T-27X0-7252	LATCH ASSY - NO S BOW	12388818
5	A-27X0-7280	ISOLATOR - NO S BOW LATCH	
6	A-27X0-2770	BEZEL - NO S BOW RECEIVER PIN	
7	A-27X0-2187	PANEL ASSY - TONNEAU	12389148
8	V-27X0-8639	LABEL - TONNEAU RELEASE	
9	X-6080-0134-XXXX	TAPE	
10	A-27X0-0632	SEAL - TONNEAU PANEL	
11	V-27X0-2428	STPKR - LATCH	16407907
12	X-6080-1736-KZXX	NUT & WSHR ASSY	
13	X-6080-2484-KZDX	RIVET (1/8 x .187)	
14	V-27X0-2835	BRKY - NO S BOW RELEASE	12388821
15	A-27X0-2832	APPLIQUE ASSY - TONNEAU OUTER	12608201
16	X-6080-0186-AXXX	ADHESIVE - WEATHERSTRIP	
17	A-27X0-2840	PROTECTOR - LID FOLD/DOWN TOP	
18	X-6080-0071-KYXX	SCR & WSHR ASSY (8 - 18 x .78)	
19	W-27X0-2680	SWTCH - TONNEAU RELEASE	12900474
20	A-27X0-7268	COVER - SWITCH TONNEAU RELEASE	12510073
21	X-6080-1716-KZTX	SCREW (M4.2 x 1.41 x 11.0)	20423380
22	X-6080-1108-XXXX	NUT	
23	A-27X0-0707	HARNSS ASSY - TONNEAU RELEASE	
24	X-6080-2813-XXXX	STRAP	
25	X-6080-2480-XXXX	CLIP - TUBE	12388834
26	A-27X0-8881	HANDLE ASSY - NO S BOW RELEASE	12388833

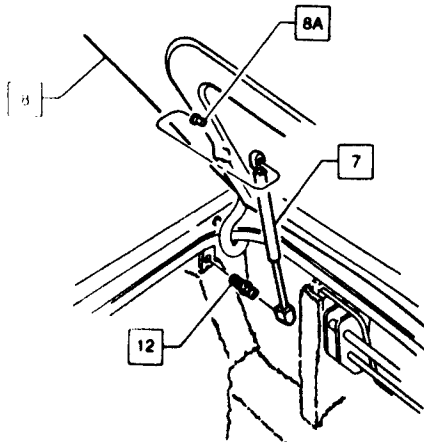
DRAWING RELEASED 1-25-91

PCN	LEV	REVISIONS	DATE	DR	CK	APP
		ASC Incorporated Graphics Department Engineering Center Southgate (Birmingham) 48116		1-25-91 J. BIRD MONTGOMERY C. WEBB S. BRADSHAW		
1991.5 "F" BODY CONVERTIBLE TONNEAU ASSEMBLY						
A-27X0-4960-AXXX SHEET 6A						

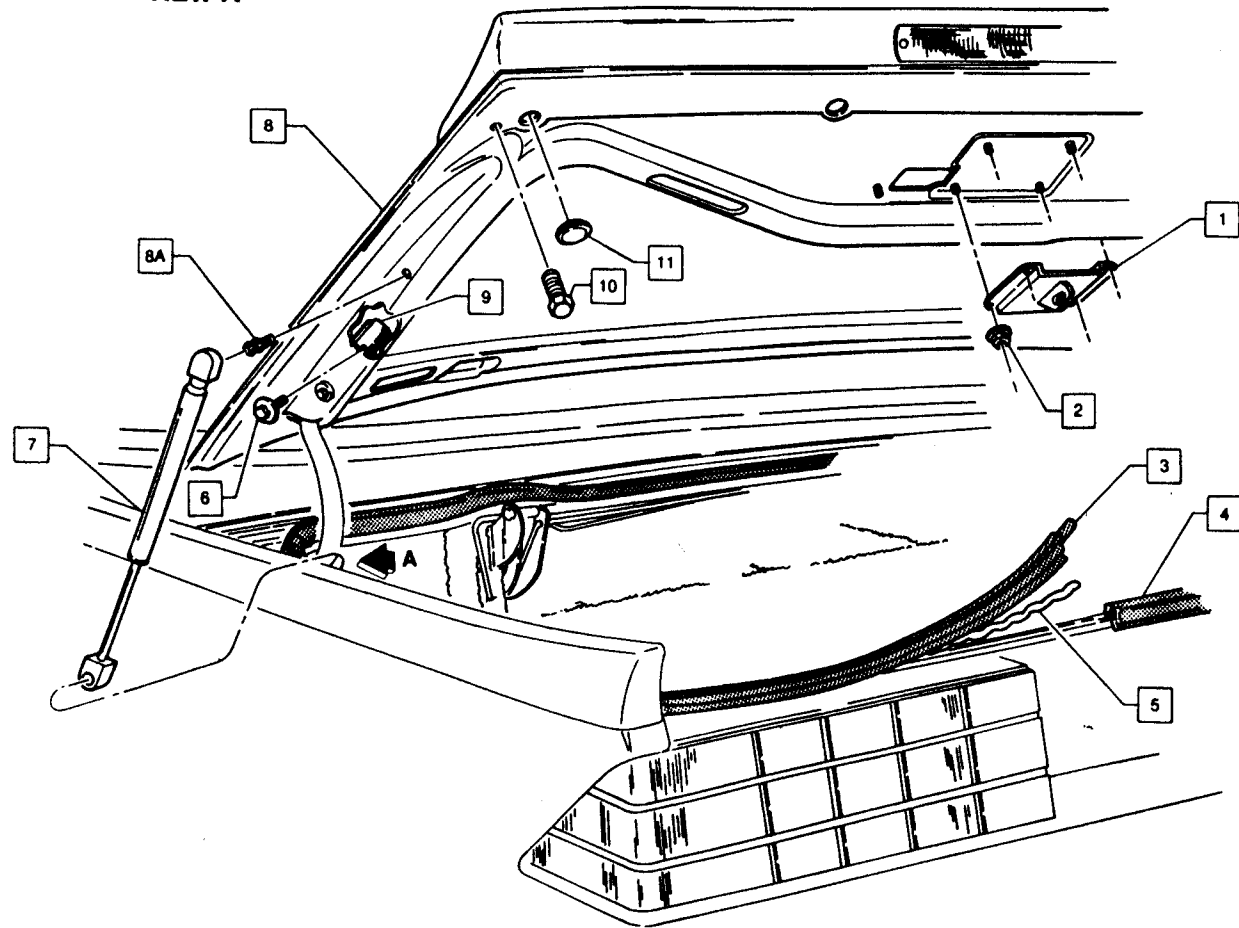
Ref	ASC Part No	Description	GM
1	S - 27X0 - 2410	LABEL - DECK LID OPENING	12207630
2	Z - 27X0 - 2404	LABEL - JACK INSTRUCTIONS	10078384
3	A - 27X0 - 5199	LABEL - SPARE TIRE CYR REMOVAL	
4	T - 27X0 - 0532	HNGE ASSY - TONNEAU PANEL	12204821
5	U - 27X0 - 2482	TORS BAR ASSY - TONNEAU HOE (RH)	12206620
	U - 27X0 - 2483	(LH)	12206621
6	T - 27X0 - 3069	BAR - TONNEAU PNL ASSY HNGE	12231737
7	X - 0080 - 1800 - KZZX	BUSHING	12000630
8	X - 0080 - 1971 - KXXX	BUMPER - RUBBER	
9	X - 0080 - 1728 - KZZX	BOLT (1/4 - 20 X .82)	
10	T - 27X0 - 0356	PLATE - TONNEAU HNGE MYO (RH)	12331726
	T - 27X0 - 0357	(LH)	12331726
11	X - 0080 - 1963 - KXXX	CAP	12200717
12	X - 0080 - 0282 - KZZX	NUT & WSHR ASSY	
13	X - 0080 - 1804 - KZTX	BOLT (M8 X 8.0 X 80.0)	12000637



PCN	LET	REVISIONS	DATE	DR	CHK	APP
			1-25-01	JK		
		ASC Incorporated Graphics Department Engineering Center Southgate, Michigan 48196	1-25-01 J. KING C. ALLEN C. WEBER S. WISNIEWSKI			
1991.5 "F" BODY CONVERTIBLE DECK LID LABELS AND HNGE ASSEMBLY - TONNEAU						
A-27X0-4960-AXXX			SHEET 6B			



VIEW A



Ref	ASC Part No	Description	GM
1	Z - 27X0 - 0200	STRUTTER - DECK LID	20478002
2	X - 0090 - 0282 - KZZX	NUT & WSHR ASSY	
3	W - 27X0 - 0252	PLUG - DECK LID (OPTIONAL)	12904728
4	B - 27X0 - 0030	BEAL - DECK LID PANEL	12331744
5	X - 0090 - 0180 - AXXX	ADHESIVE - WEATHERSTRIP	
6	X - 0090 - 1725 - XWTX	SCR & WSHR ASSY (5/16 - 18 x 1.00)	
7	W - 27X0 - 3185	GAS STRUT ASSY - DECK LID SUPPORT	12904781
8	W - 27X0 - 7219	PANEL ASSEMBLY - DECK LID	
A	X - 0090 - 1138 - XZUX	STUD - BALL (M9.85 x 5/16 - 18)	12380000
9	X - 0090 - 1681 - XZZX	NUT - U TYPE	
10	A - 27X0 - 2678	BUMPER - DECK LID OVERSLAM	10110656
11	X - 0090 - 1294 - XXXX	PLUG - FLUSH BUTTON	20523521
12	X - 0090 - 1138 - XZUX	STUD - BALL (M9.85 x 5/16 - 18)	12380000

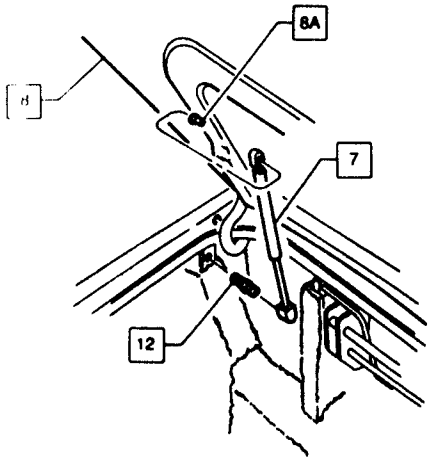
DRAWING RELEASED
 1-28-91 JK
 DATE DR CK APP

asc. ASC Incorporated
 Graphics Department
 Engineering Center
 Sault Ste. Marie, Michigan 49783

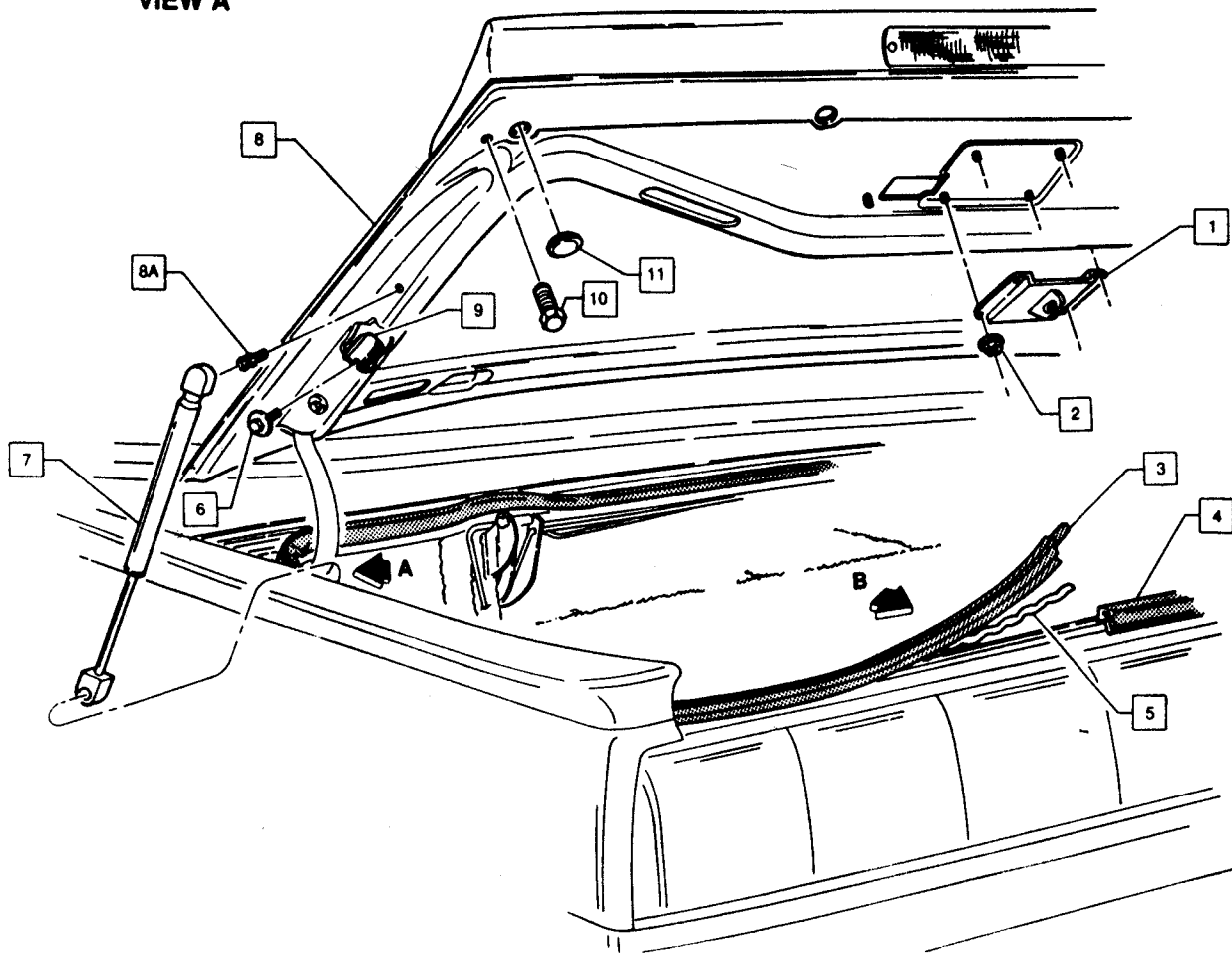
TITLE
**1991.5 "F" BODY CONVERTIBLE
 DECK LID ASSEMBLY (CAMARO)**

SHEET NUMBER
A-27X0-4050-AXXX SHEET 6C

FORM & TECH DATA
 1-85-91
 AUTHORIZED BY
 E. BOWEN
 CHECKED BY
 MONTY GOSNEY
 APPROVED BY
 C. WISNER
 5. BOWEN



VIEW A



Ref	ASC Part No	Description:	GM
1	2 - 27X0 - 0000	STRIKER - DECK LID	2947692
2	X - 0000 - 0200 - XZXX	NUT & WSHR ASSY	
3	W - 27X0 - 0200	PLUG - DECK LID (OPTIONAL)	12904728
4	S - 2F20 - 0030	SEAL - DECK LID PANEL	12331744
5	X - 0000 - 0100 - AXXX	ADHESIVE - WEATHERSTRIP	
6	X - 0000 - 1720 - XWXX	SCR & WSHR ASSY (5/16 - 18 ± 1.0)	
7	W - 27X0 - 3100	GAS STRUT ASSY - DECK LID SUPPORT	12504761
8	W - 27X0 - 7210	PANEL ASSY - DECK LID	
A	X - 0000 - 1130 - XZUX	STUD - BALL (M8.05 x 5/16 - 18)	12200005
8	X - 0000 - 1001 - XZXX	MUT - U TYPE	
10	A - 27X0 - 2070	BUMPER - DECK LID OVERBLAM	10110656
11	X - 0000 - 1204 - XXXX	PLUG - FLUSH BUTTON	20003021
12	X - 0000 - 1130 - XZUX	STUD - BALL (M8.05 x 5/16 - 18)	12200005

DRAWING RELEASED

PCR	LET	REVISIONS	DATE	DR	CK	APP

1-28-91

ASC Incorporated
Graphs & Department
Engineering Center
Troy, Michigan 48068

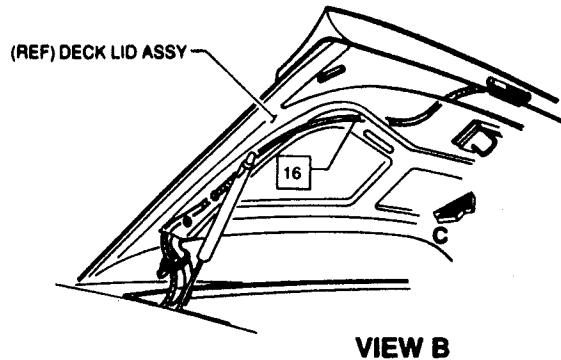
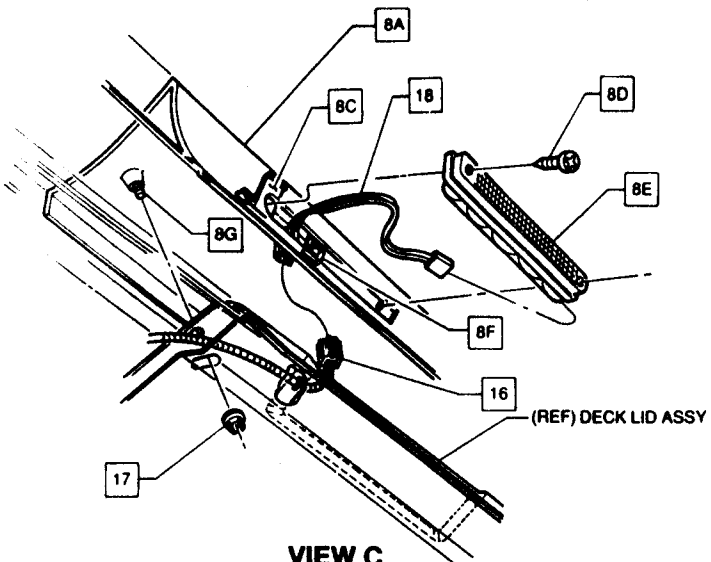
COMPLETED BY
1-28-91
J. KING

TITLE
**1991.5 "F" BODY CONVERTIBLE
DECK LID ASSEMBLY (FINE BIRD)**

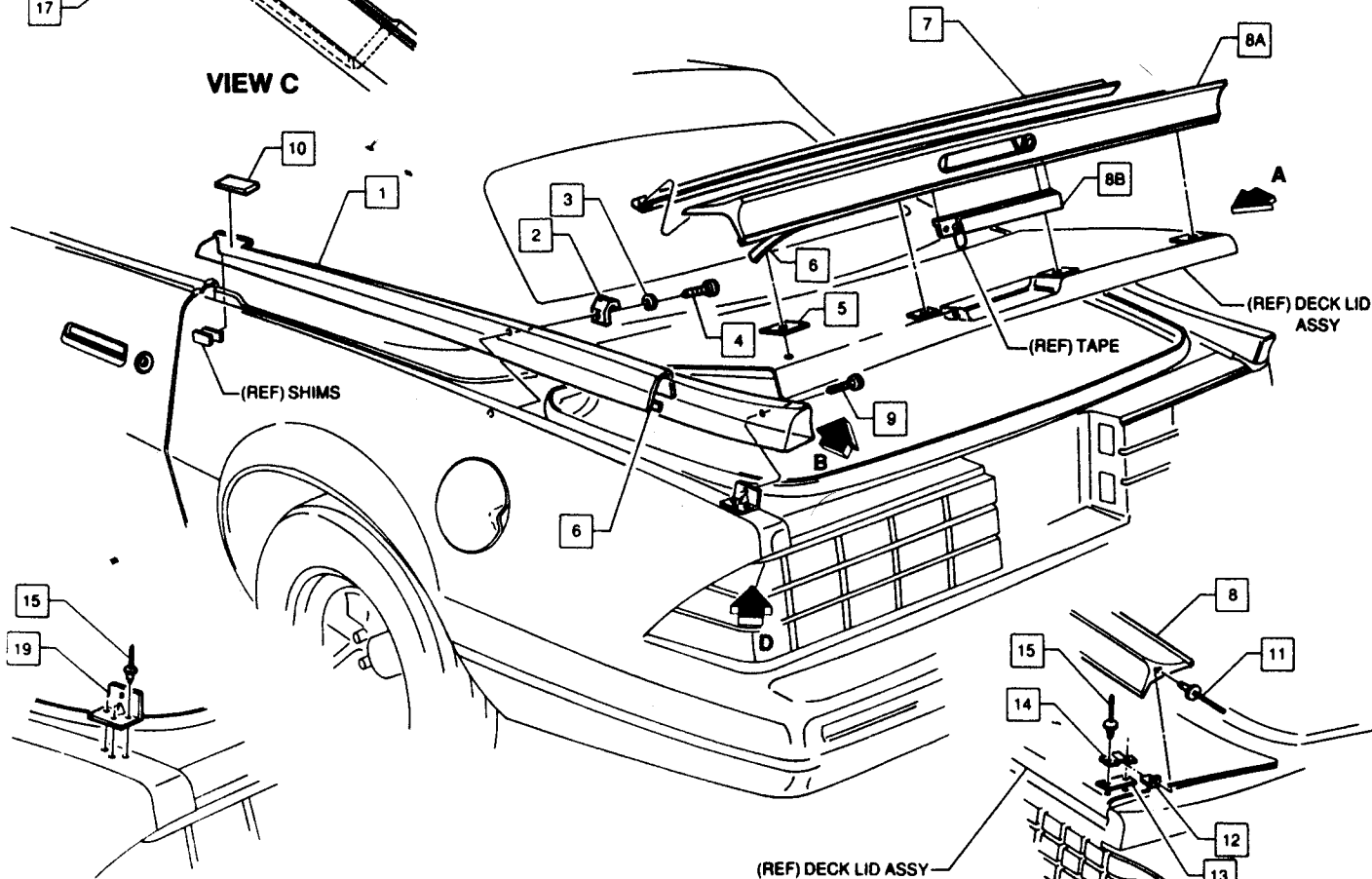
DESIGNED BY
C. WEBER

DRAWN BY
S. BRADSHAW

A-27X0-0960-AYXX SHEET 6D



VIEW C



VIEW D

VIEW B

VIEW A

Ref	ASC Part No	Description	GM
1	W - 27X0 - 0630	CAP - QTR BELT MLDG (RH)	
2	W - 27X0 - 0631	(LM)	
3	T - 27X0 - 2679	BUMPER - DECK LID PANEL STABILIZER	12231747
4	X - 0090 - 0207 - XYXX	WASHER	114906 L/F
5	X - 0090 - 1864 - XZXX	SCR & WSHR ASSY (8 - 18 x 1.25)	12906391
6	X - 0090 - 0376 - AKXX	SOUND PAD - MORTELL	
7	X - 0090 - 0363 - CKXX	TAPE - ACRYLIC	
8	V - 27X0 - 8906	WELT - SPOILER ISOLATOR	12231909
9	V - 27X0 - 7896	SPOILER ASSY - DECK LID	
A	V - 27X0 - 7895	SPOILER ASSY - PRIMED	
B	U - 27X0 - 2272	REINF - CHMSL STRAP	
C	U - 27X0 - 0518	BRKT - CHMSL MTO	
D	X - 0090 - 0094 - XYXX	SCREW (8 - 18 x 1.25)	
E	T - 27X0 - 0482	LAMP ASSY - CHMSL	919872
F	X - 0090 - 0867 - XZXX	NUT - "U" TYPE	03634821
G	V - 27X0 - 7488	STUD ASSY - SPOILER MTO	
X	X - 0090 - 0071 - XYXX	SCR & WSHR ASSY (8 - 18 x .75)	
10	A - 27X0 - 0602	PROTECTOR - STRIP (RH)	12509940
A	A - 27X0 - 0603	(LM)	12509961
11	X - 0090 - 3408 - XZDX	RIVET (1/8 x .250)	
12	V - 29X8 - 2187	BRKY - EXTENSION MTO END	
13	X - 0090 - 0390 - BXXX	TAPE - POLYURETHANE	
14	T - 21X4 - 8406	BRKT - ROOF CAP	12906189
15	X - 0090 - 0320 - XXXX	RIVET (1/8 x .125)	
16	U - 27X0 - 0701	HARNSS ASSY - CHMSL	12382206
17	X - 0090 - 0282 - XZXX	NUT & WSHR ASSY	
18	A - 27X0 - 0337	HARNSS - JUMPER WIRE CHMSL	
19	W - 27X0 - 3733	BRKT - QTR BELT MLDG CAP RR	12904784

SERVICE ONLY

W - 27X0 - 8963 KIT - SPOILER ATTACHMENT 12906119

CONSISTS OF:

W - 27X0 - 8548 INSTRUCTION - SPOILER ATTACHMENT

8 11 12 13 14 18

W - 27X0 - 8996 KIT - SPOILER W/ATTACHMENTS 12906390

CONSISTS OF:

W - 27X0 - 8663 KIT - SPOILER ATTACHMENTS 12906119

8A

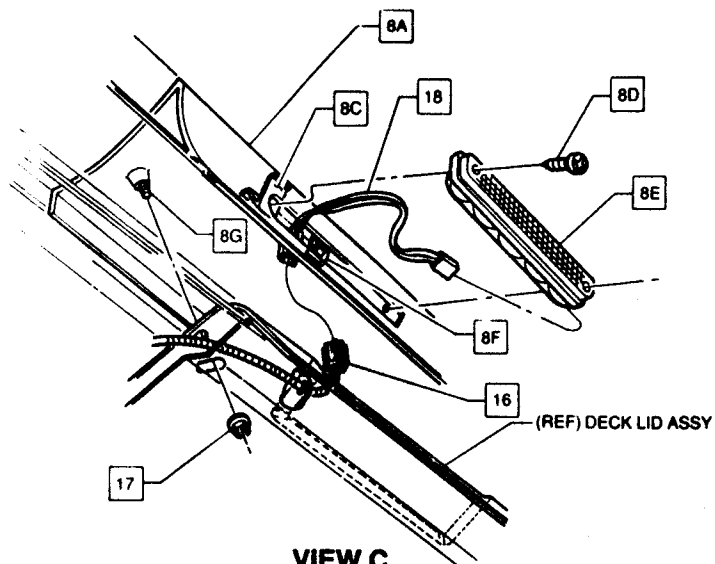
DRAWING RELEASED 1-25-91

asc
ASC Incorporated
Graphics Department
Engineering Center
Southgate, Michigan 48196

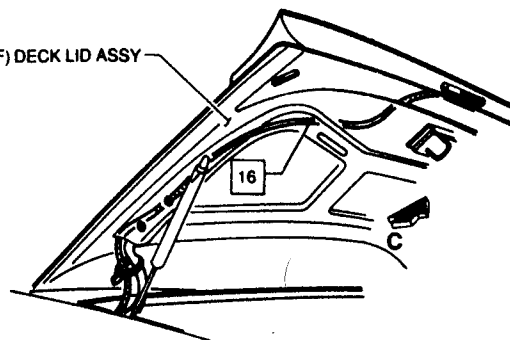
1991.5 "F" BODY CONVERTIBLE
SPOILER AND QUARTER BELT MOLDING ASSEMBLY (CAMARO)

A-27X0-4960-AXXX SHEET 6E

1-25-91
M. BOULAU
C. WOOD
S. DEWANE

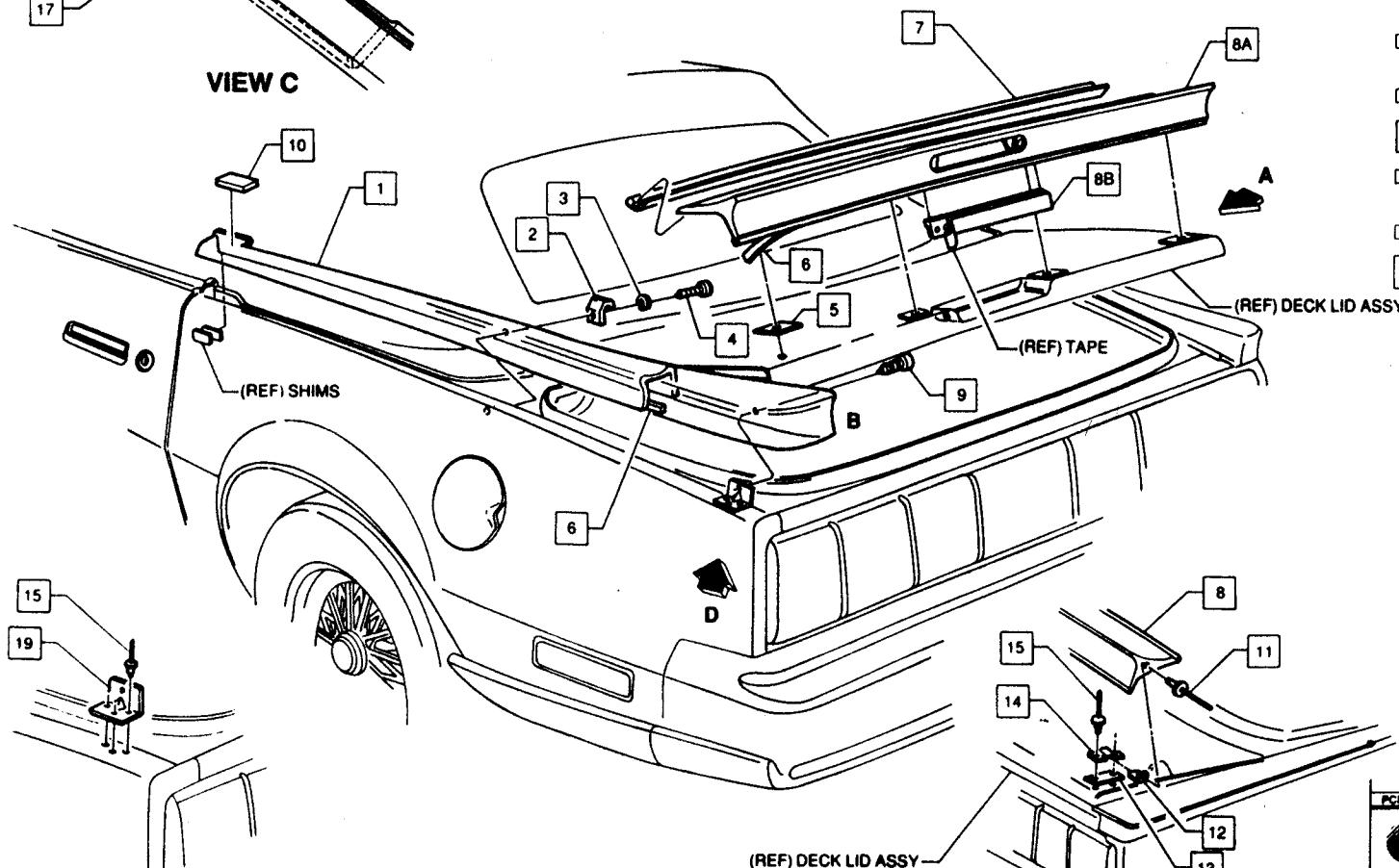


(REF) DECK LID ASSY



VIEW B

VIEW C



VIEW D

(REF) DECK LID ASSY

VIEW A

Ref	ASC Part No	Description	GM
1	A-27X0-0630	CAP - QTR BELT MLDG (RH)	12616612
	A-27X0-0631	(LH)	12616612
2	T-27X0-2679	BUMPER - DECK LID PANEL STABILIZER	12331747
3	X-0080-0007-KWYX	WASHER	114988 L/P
4	X-0080-1864-KZTX	SCR & WSHR ASSY (8 - 18 x 1.25)	
5	X-0080-0375-AXXX	SOUND PAD - MORTELL	12606391
6	X-0080-0383-CRXX	TAPE - ACRYLIC	
7	V-27X0-8606	WELT - SPOILER ISOLATOR	12331886
8	V-27X0-7686	SPOILER ASSY - DECK LID	
A	V-27X0-7695	SPOILER ASSY - PRIMED	
B	U-27X0-2272	REINF - CHMSL STRAP	
C	U-27X0-0518	BRKT - CHMSL MTG	
D	X-0080-0094-KWYX	SCREW (8 - 18 x 1.25)	
E	T-27X0-0482	LAMP ASSY - CHMSL	918672
F	X-0080-0667-KZXX	NUT - U TYPE	03634621
Q	V-27X0-7498	STUD ASSY - SPOILER MTG	
9	X-0080-0071-KYXX	SCR & WSHR ASSY (8 - 18 x .75)	
10	A-27X0-0802	PROTECTOR - STRIP (RH)	12509960
	A-27X0-0803	(LH)	12509961
11	X-0080-3400-KZDX	RIVET (1.0 x .250)	
12	V-29X0-3167	BRKT - EXTENSION MTG END	
13	X-0080-0260-BXXX	TAPE - POLYURETHANE	
14	T-2114-8206	BRKT - ROOF CAP	12506106
15	X-0080-0320-KXXX	RIVET (1.0 x .188)	
16	U-27X0-0701	HARNESB ASSY - CHMSL	12609208
17	X-0080-0282-KZXX	NUT & WSHR ASSY	
18	A-27X0-0337	HARNESB - JUMPER WIRE CHMSL	
19	W-27X0-3733	BRKT - QTR BELT MLDG CAP RR	12604764

SERVICE ONLY

W-27X0-8563 KIT - SPOILER ATTACHMENT 12508119

CONSISTS OF:

W-27X0-8665 INSTRUCTION - SPOILER ATTACHMENT

6 11 12 13 14 15

W-27X0-8566 KIT SPOILER W ATTACHMENTS 12509368

CONSISTS OF:

W-27X0-8563 KIT - SPOILER ATTACHMENTS 12508119

8A

DRAWING RELEASED

PCB	LET	REVISIONS	DATE	DR	CK	APP

1-28-91

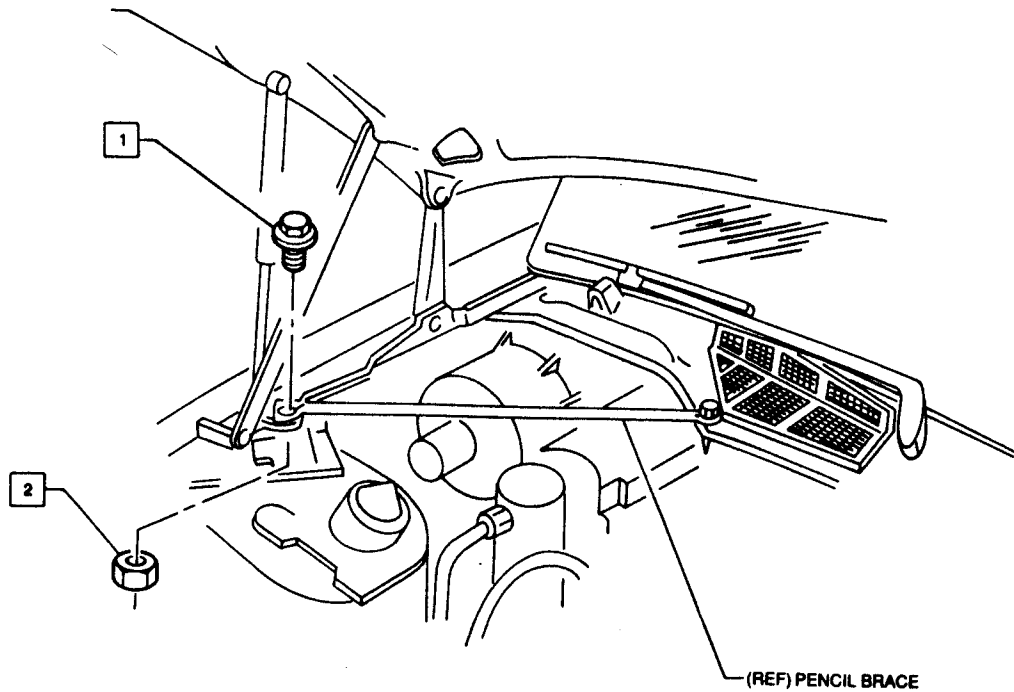
asc. ASC Incorporated
 Graphics Department
 Engineering Center
 Southfield, Michigan 48034

1991.5 "F" BODY CONVERTIBLE
 SPOILER AND QUARTER BELT MOLDING ASSEMBLY (FINISHED)

A-27X0-4960-AXXX SHEET 6F

APPROVED BY: C. WISNER
 S. GORMON

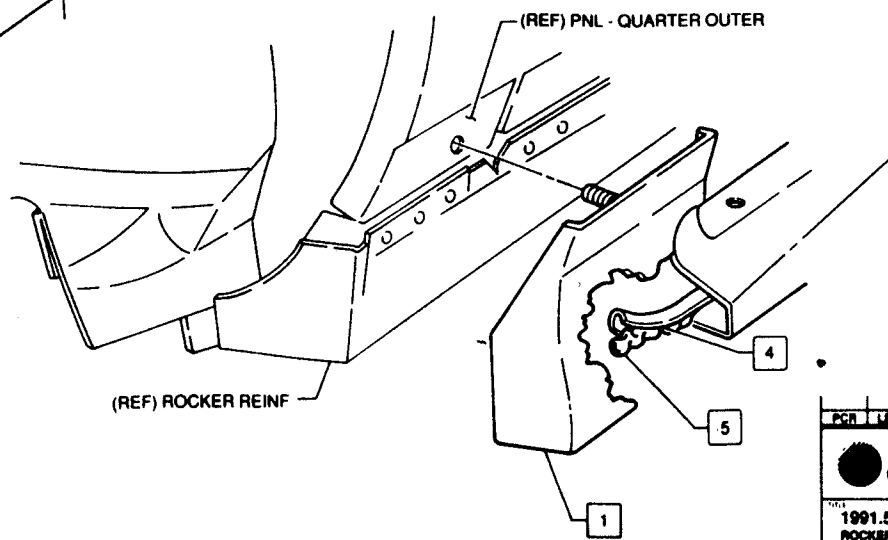
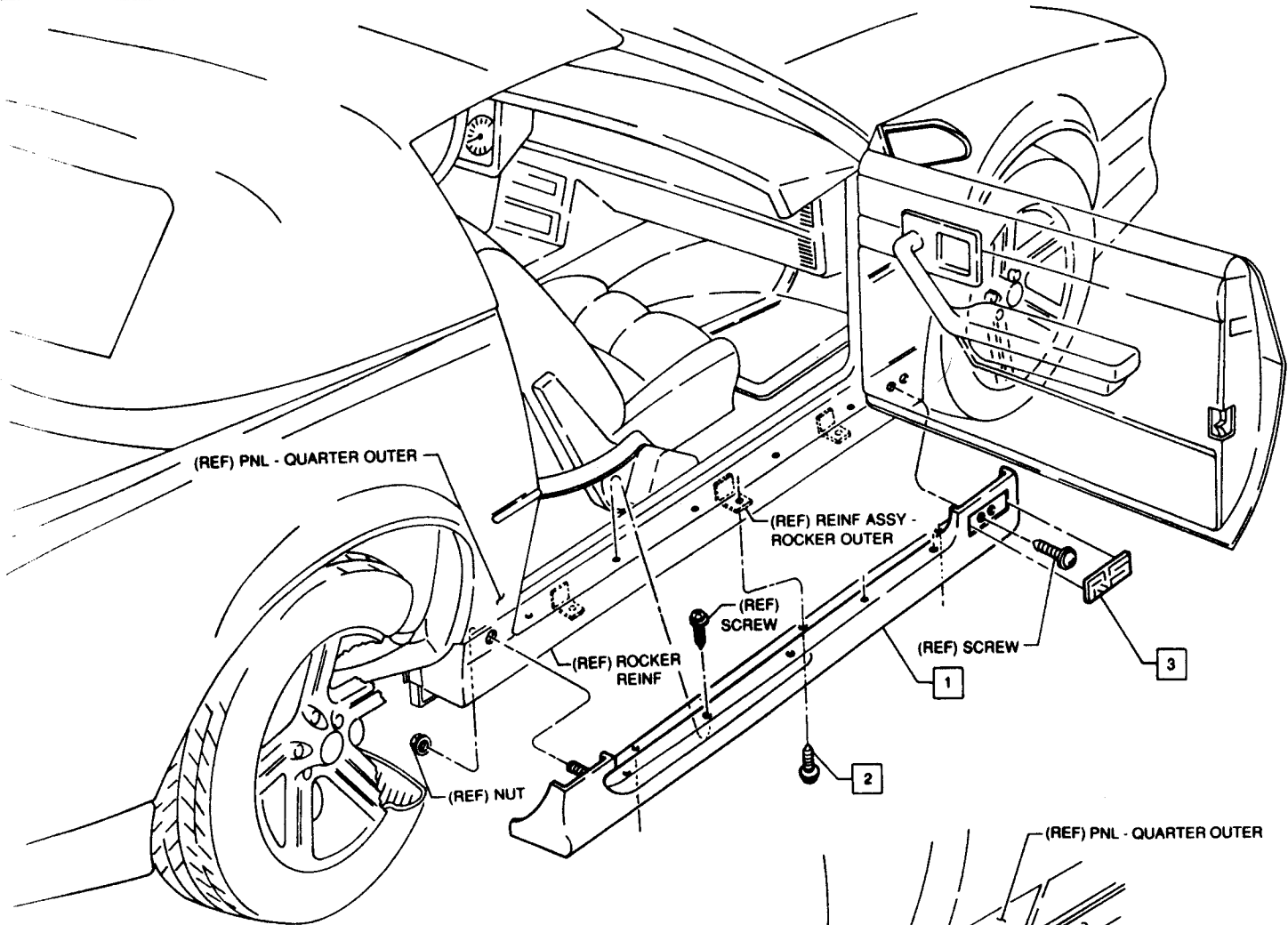
Ref	ASC Part No	Description	GM
1	X - 0060 - 0924 - XWYX	SCR & WSHR ASSY (M6 x 7.0 x 14.0)	12506306
2	X - 0080 - 1658 - XWXX	NUT & WSHR ASSY	11962322



FRT

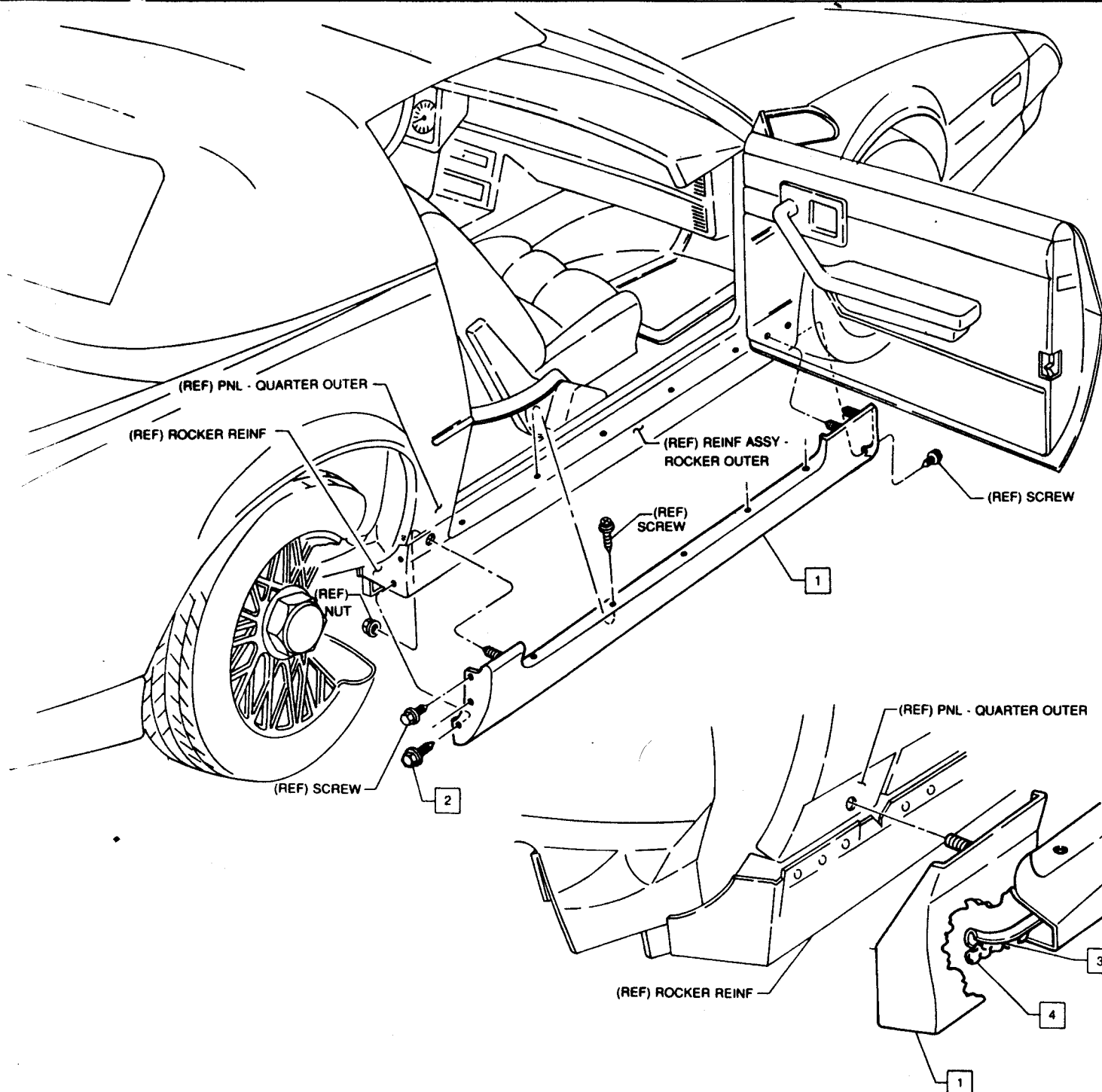
DRAWING RELEASED		1-28-01	JK
REV	DATE	BY	CHK
asc.		ASC Incorporated Originals Department Engineering Center Bloomington, Michigan 48106	
1991.5 "F" BODY CONVERTIBLE PENCIL BRACE INSTALLATION		J. RING	1-28-01
A-27X0-4960-AXXX		C. WISSEN	11962322
SHEET 6G		S. BRONSON	

Ref	ASC Part No	Description	GM
1	A-2720-3294	MOLDING - ROCKER (RH)	
	A-2720-3296	(LM)	
2	X-6960-0173-KWBX	SCREW (8 - 18 x 50)	30004199
3	Z-2770-3023	EMBLEM ASSEY - RKR PNL (RH)	
4	X-6940-0142-CXXX	ISOLATOR - STRIP	
5	X-6960-0199-AXXX	ADHESIVE - W/RTA	



PCN	LET	DRAWING RELEASED		1-28-91	KS	REV
		REVISIONS	DATE	DR	CK	APP
		<small>ASC is a registered trademark of the ASC Corporation. Engineering Center, Lansing, Michigan 48916.</small>		<small>FORM 9100-001</small> <small>1-88-91</small> <small>ILLUSTRATED BY</small> <small>K. STOUT</small> <small>MADE IN THE US BY</small> <small>T. BILLYBORN</small> <small>DESIGNED BY</small> <small>C. WISBER</small> <small>APPROVED BY</small> <small>S. BERSON</small>		
1991.5 "F" BODY CONVERTIBLE ROCKER MOLDINGS (CAMARO)						
A-27X0-4960 AXXX					SHEET 6H	

Ref	ASC Part No	Description	GM
1	A-2700-3284	MOLDING - ROCKER (RH)	
	A-2700-3286	(LH)	
2	X-0090-0173-KWSX	SCREW (8-18 x .50)	20004100
3	X-0090-0142-C1RX	ISOLATOR - STRIP	
4	X-0090-0100-AXXX	ADHESIVE - W/STR	



PCR	LET	REV	DATE	DR	CR	APP
DRAWING RELEASED						
REVISIONS						
ASC Incorporated Graphical Engineering Northridge, CA 91324						
1991.5 "F" BODY CONVERTIBLE ROCKER MOLDINGS (PINEBRO)						
A-27X0-4960-AXXX SHEET 6J						
						1-25-01 K STOUT C WEBER S BRADSHAW