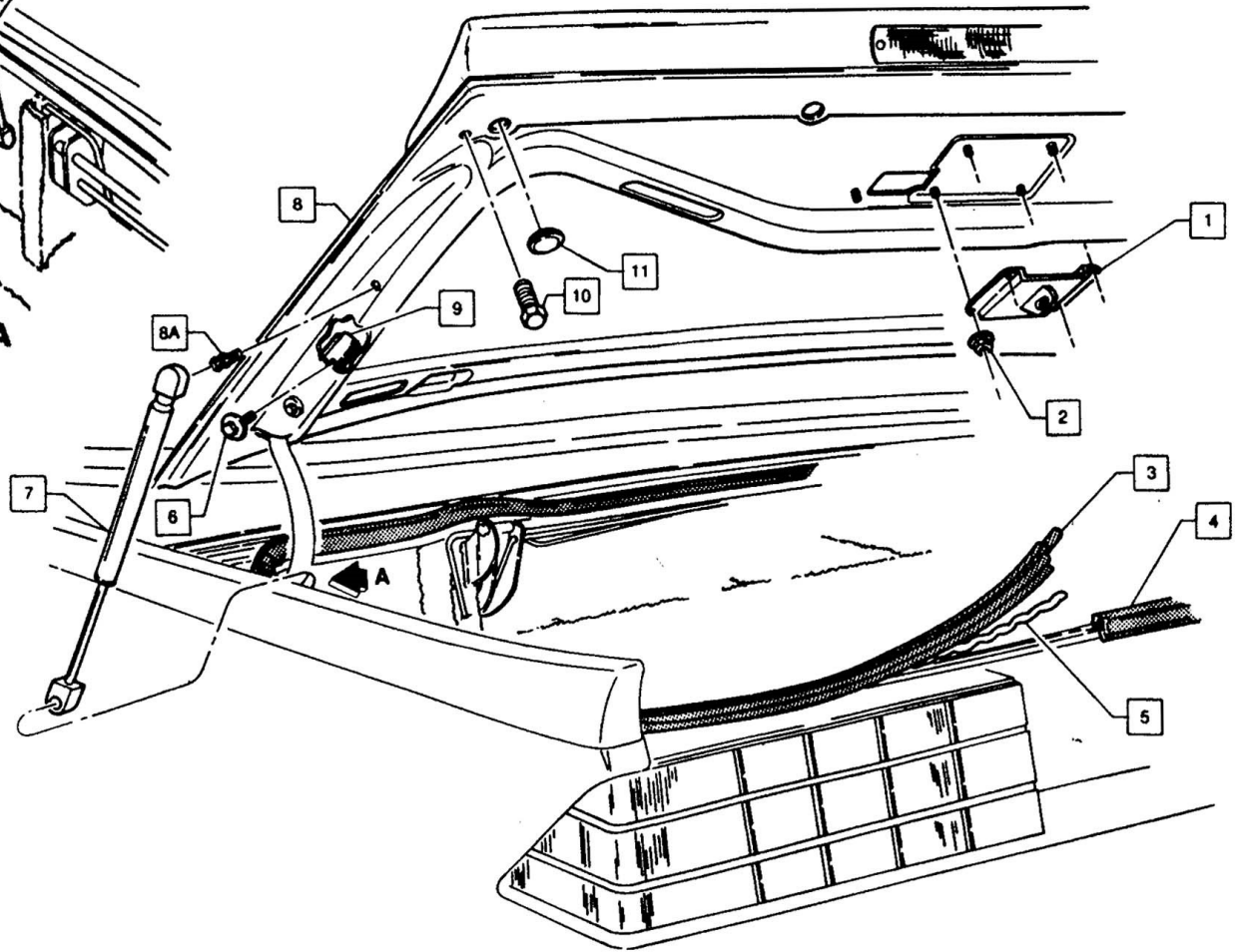


VIEW A



PCB	LET	DATE	DR	CHK	APP
DRAWING RELEASED					
REVISIONS					
		ASC - Incorporated Graphics Department Engineering Center Southfield, Michigan 48194		COMPLETE DATE 1-25-91	
TITLE <b>1991.5 "F" BODY CONVERTIBLE            DECK LID ASSEMBLY (CAMARO)</b>		DESIGNED BY J. BORG		CHECKED BY MONTGOMERY	
PART NUMBER <b>A 27X0-4050 AXXX SHEET 6C</b>		DRAWN BY C. WISNER		APPROVED BY S. BERNARD	

Ref	ASC Part No	Description	GM
1	2 - 27X0 - 6300	STRIKER - DECK LID	20478882
2	X - 0090 - 0292 - KZZX	NUT & WSHR ASBY	
3	W - 27X0 - 0253	PLUG - DECK LID (OPTIONAL)	12904728
4	8 - 27X0 - 0030	SEAL - DECK LID PANEL	12931744
5	X - 0090 - 0188 - AXXX	ADHESIVE - WEATHERSTRIP	
6	X - 0090 - 1725 - KWTX	SCR & WSHR ASBY (5/16 - 18 x 1.00)	
7	W - 27X0 - 3186	GAS STRUT ASBY - DECK LID SUPPORT	12904781
8	W - 27X0 - 7319	PANEL ASSEMBLY - DECK LID	
9	X - 0090 - 1138 - KXUX	STUD - BALL (M9.85 x 8/16 - 18)	12300888
10	X - 0090 - 1681 - KZZX	NUT - U TYPE	
11	X - 0090 - 1294 - KXXX	PLUG - FLUSH BUTTON	20623821
12	X - 0090 - 1129 - KXUX	STUD - BALL (M9.85 x 5/16 - 18)	12280888