

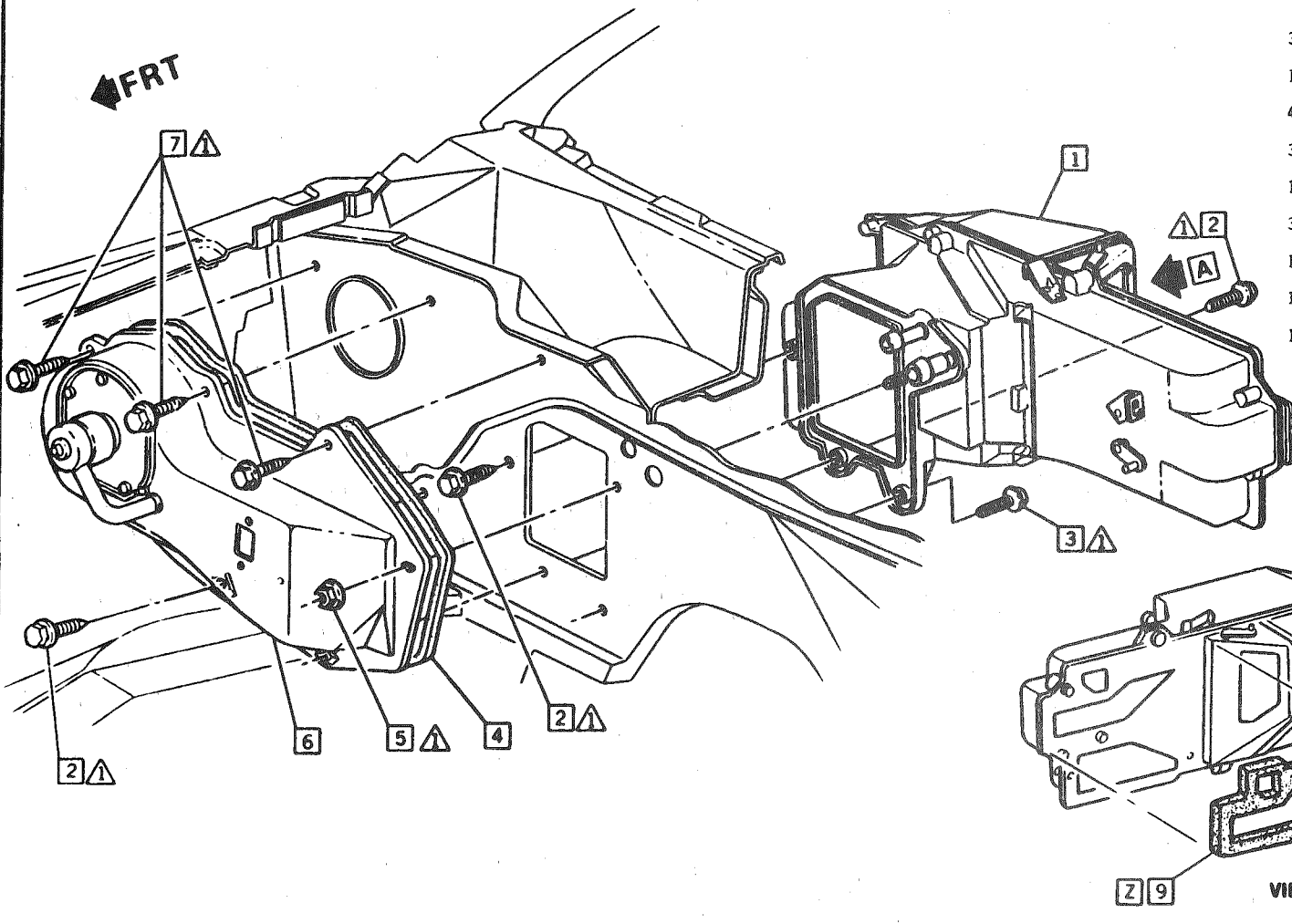


General Motors Corporation

CHEVROLET MOTOR DIVISION

PRODUCT DESCRIPTION MANUAL

□ ITEM REFERENCE ◇ PROCESS MATERIAL ▲ TORQUE ▣ EXISTING AS PART OF



- 3048114 1 HEATER ASM &C41
- 10018166 2 BOLT/SCREW
- 499558 3 BOLT/SCREW
- 3048270 4 GASKET
- 11505279 5 NUT
- 3056993 6 BLOWER & AIR INLET ASM
- 11504981 7 BOLT/SCREW
- 14052492 8 SEAL
- 14052491 9 SEAL

Z PEEL OFF BACKING PAPER & INSTALL TO 1

DYNAMIC (Instal) N·m	HAND (Insp.) N·m	DATE	SYM	REVISION	AUTH	DR	CK	APP	DATE	DIV	TITLE	REF	UPC	SHEET
▲ 2.2 - 4.6									05DER4	CHEVROLET	1986 F PASSENGER 14089402	ECA 41600	11-22916 (S)	1A2H C6
									J. HEMPSEED/TE		HEATER ASM & BLOWER ASM	C/O 06DE84	11-31797 (S)	
									McKammAM					
									(S)					

▲ FULLY DRIVEN, SEATED & NOT STRAPPED

C O P Co