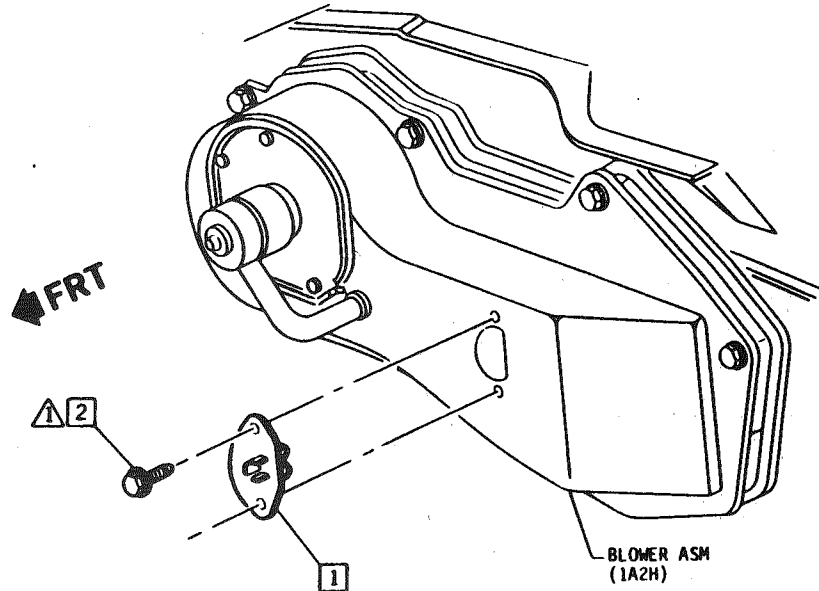


□ ITEM REFERENCE    ◊ PROCESS MATERIAL    ▲ TORQUE    ▣ EXISTING AS PART OF

- ① 14090309    1 RESISTOR FP00 &C41
- 526897        1 FS00 &C40
- 11502835     2 BOLT/SCREW



DYNAMIC (Instal) Rpm	HAND (Instal) Rpm	DATE	SYN	REVISION	AUTH	DR	CK	ASM	APP	DATE	DIV	TITLE
		20DEC84	1	WAS 14052305 RESISTOR	43659	EJM				25OCP4	CHEVROLET	1986 F PASSENGER 14089402
	1.8 - 2.2									DR J. HEMPSEED/TE		RESISTOR-HEATER & BLOWER MOTOR
										CK J. Mc Kenna M:		FA00 &C40/C41
										APPR (S)		
										APPR		
										APPR	REF ECA 41600	L 29859 (S)
										APPR	C/O 250C84	L L L L
												UPC 1A2J
												SHEET C9

▲ FULLY DRIVEN, SEATED & NOT STRIPPED

H C  K O P