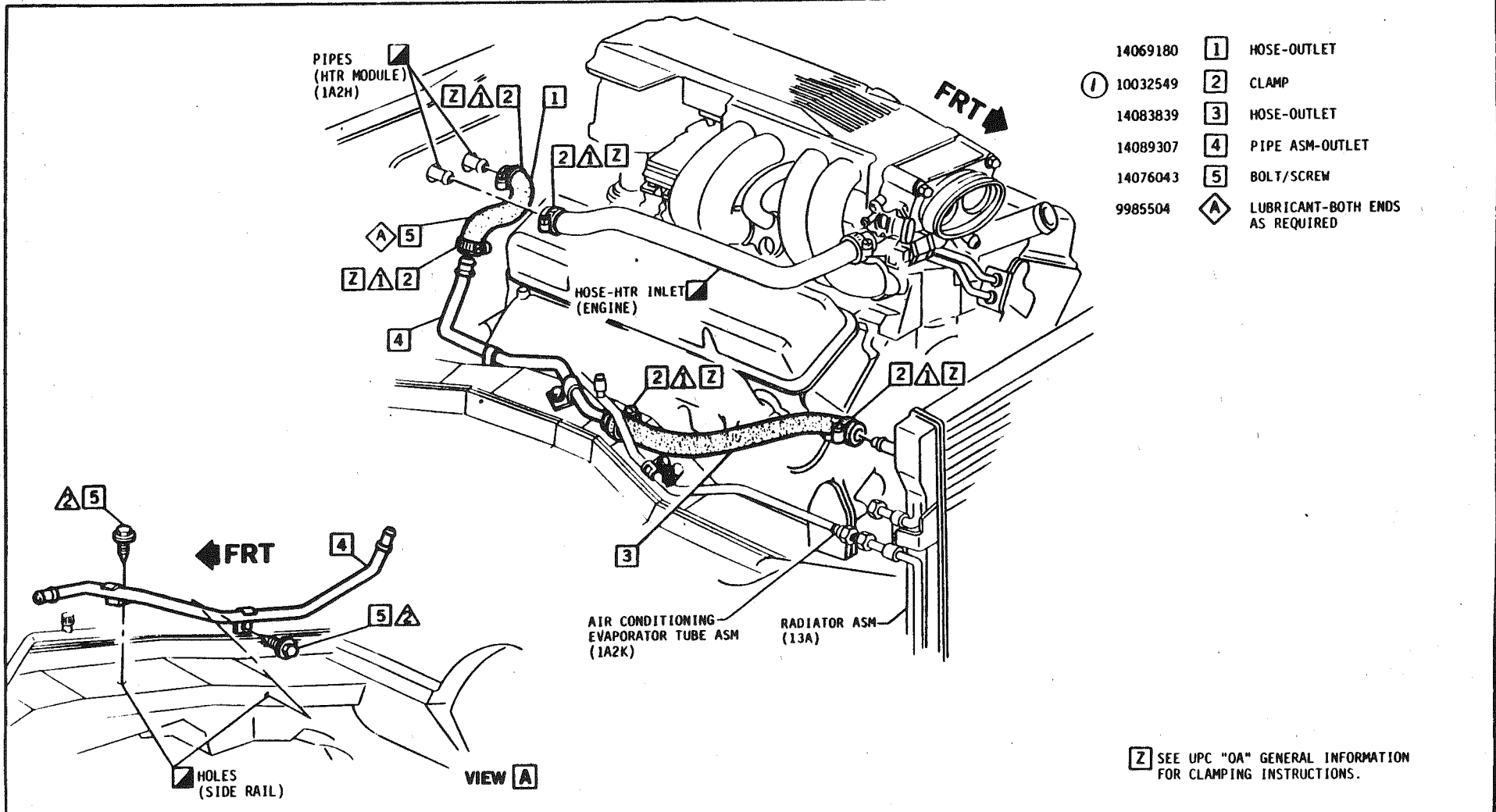


□ ITEM REFERENCE ◇ PROCESS MATERIAL △ TORQUE ▣ EXISTING AS PART OF



- 14069180 1 HOSE-OUTLET
- ① 10032549 2 CLAMP
- 14083839 3 HOSE-OUTLET
- 14089307 4 PIPE ASM-OUTLET
- 14076043 5 BOLT/SCREW
- 9985504 ◇ A LUBRICANT-BOTH ENDS AS REQUIRED

▣ SEE UPC "0A" GENERAL INFORMATION FOR CLAMPING INSTRUCTIONS.

DYNAMIC (Instal) Ft-m	HAND (Instal) Ft-m	DATE	SYM	REVISION	AUTH	DR	CK	ASM CHG	APP	DATE	DIV	1986 F PASSENGER 14089402
		10/18/85	/	WAS 549589 CLAMP & TORQUE / WAS 1.4 - 2.0	43693	TE	RE	C		01NOB4	CHEVROLET	TITLE
										J. HEMPSEED/TE		HEATER HOSES & PIPE ASM
										CE A. McFarlane AM		FA00 & LB9
										(S)		REF ECA 41600
												C/O 250C84
												IL -33902(S)
												UPC
												1A2L
												SHEET
												C3

△ FULLY DRIVEN SEATED & NOT STRIPPED

R F M K O P M