

MF01-0082

**1987-1991 F ENGINE COOLANT FAN (LB9,L98,C60)  
1989 F ENGINE COOLANT FAN (LC2)**

1.	N.S.	FAN , CLNT (INCL 2-6)	.....	
2.	1.055	NUT ,ENG COOL FAN(PART OF 1)	.....	22082538
3.	1.055	SCREW KIT ,ENG COOL FAN(ELEC)(PART OF 1)(1988-91)	.....	22034870
4.	1.055	FAN KIT ,ENG COOL (ELEC)(PART OF 1)(1988-91)	.....	22098787
5.	1.055	MOTOR KIT , ELEC CLG FAN (PART OF 1)(1987-89)	.....	22074969
	1.055	MOTOR KIT ,ENG COOL FAN (ELEC)(PART OF 1)(1990-91)	.....	22088786
6.	1.055	BRACKET KIT ,ENG COOL FAN (ELEC)(PART OF 1)	.....	22073435
7.	8.900	BOLT ,HEX W/CON WA M8X1.25X25 9.8 POR TYPE A HRD PT(AR)	.....	11508764
8.	8.977	SCREW ,HWH TAP W/FL WA M6.3X1.81X25 POR(AR)	.....	11505023
9.	8.950	CLIP ,CLSD STEEL 7/16 X 5/16 ZC TYP1 NAT(AR)	.....	25526629
10.	1.055	BRACKET ,ENG COOL FAN	.....	10055083
11.	8.921	NUT ,U-TYPE,6.3X1.81,13.5 REACH,25.8X 16.5,0.65-3.8 PNL RNG,PZOR(AR)	.....	11509582
12.	8.921	NUT ,SPG U-SHAPE MULTI-THD M8X1.25 0.8 TO 40 PNL(AR)	.....	12337966
13.	1.270	PANEL , RAD MT UPR(1987)	.....	14107328
	1.270	PANEL ,RAD UPR MTG(1988-91)	.....	10069174
14.	1.219	RADIATOR ,COOLANT(CODE A7,DT,DU)(* 1)	.....	52453813

NOTE 1: SEE CHART IN GROUP FOR USAGE.

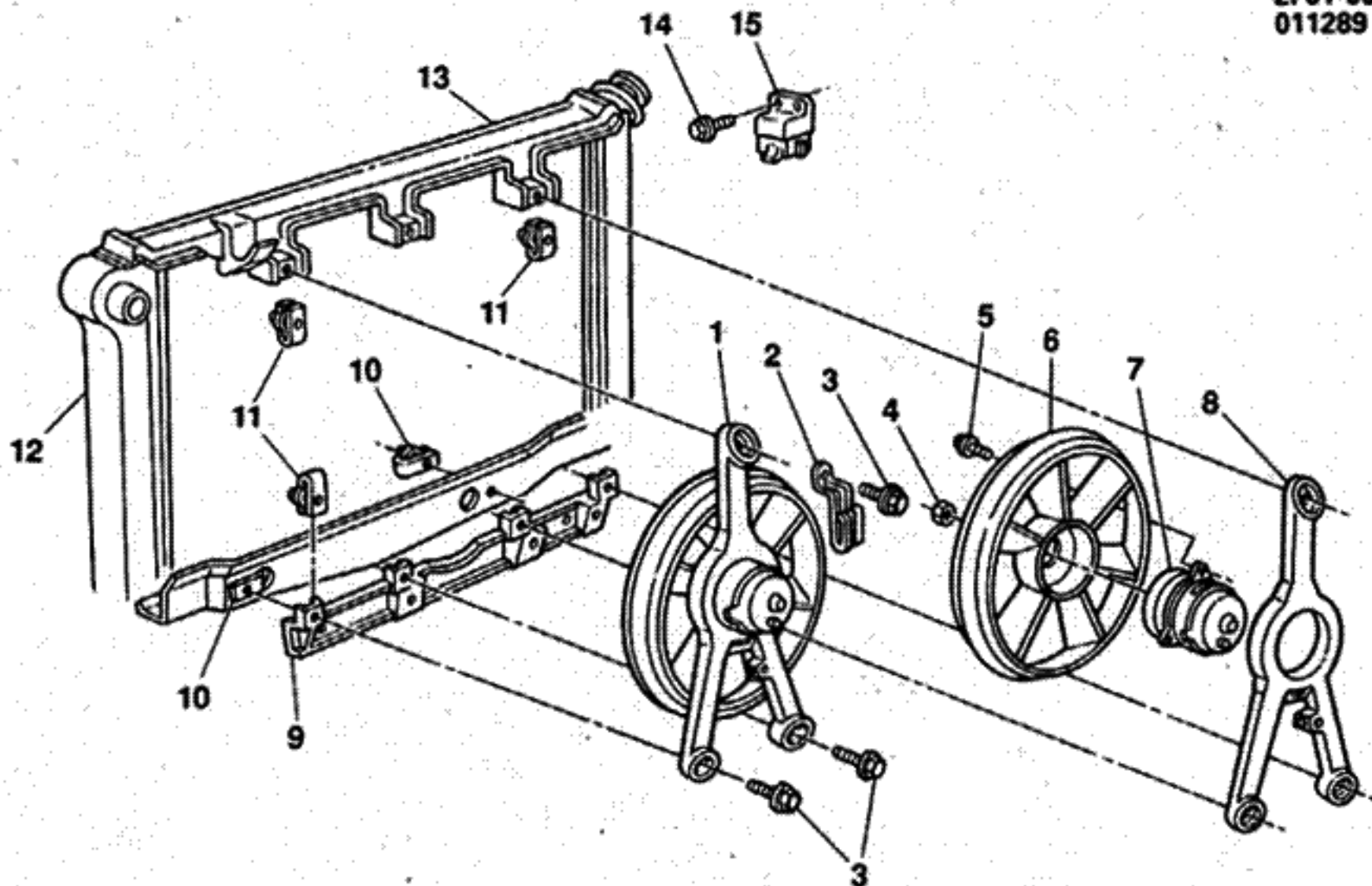
**RPO DEFINITIONS**

C60 - AIR CONDITIONER,FRONT,MANUAL CONTROLS

LB9 - ENGINE,5.0L(5.0F),V8 FI

LC2 - ENGINE,3.8L(3.8-7),V6(TURBO)

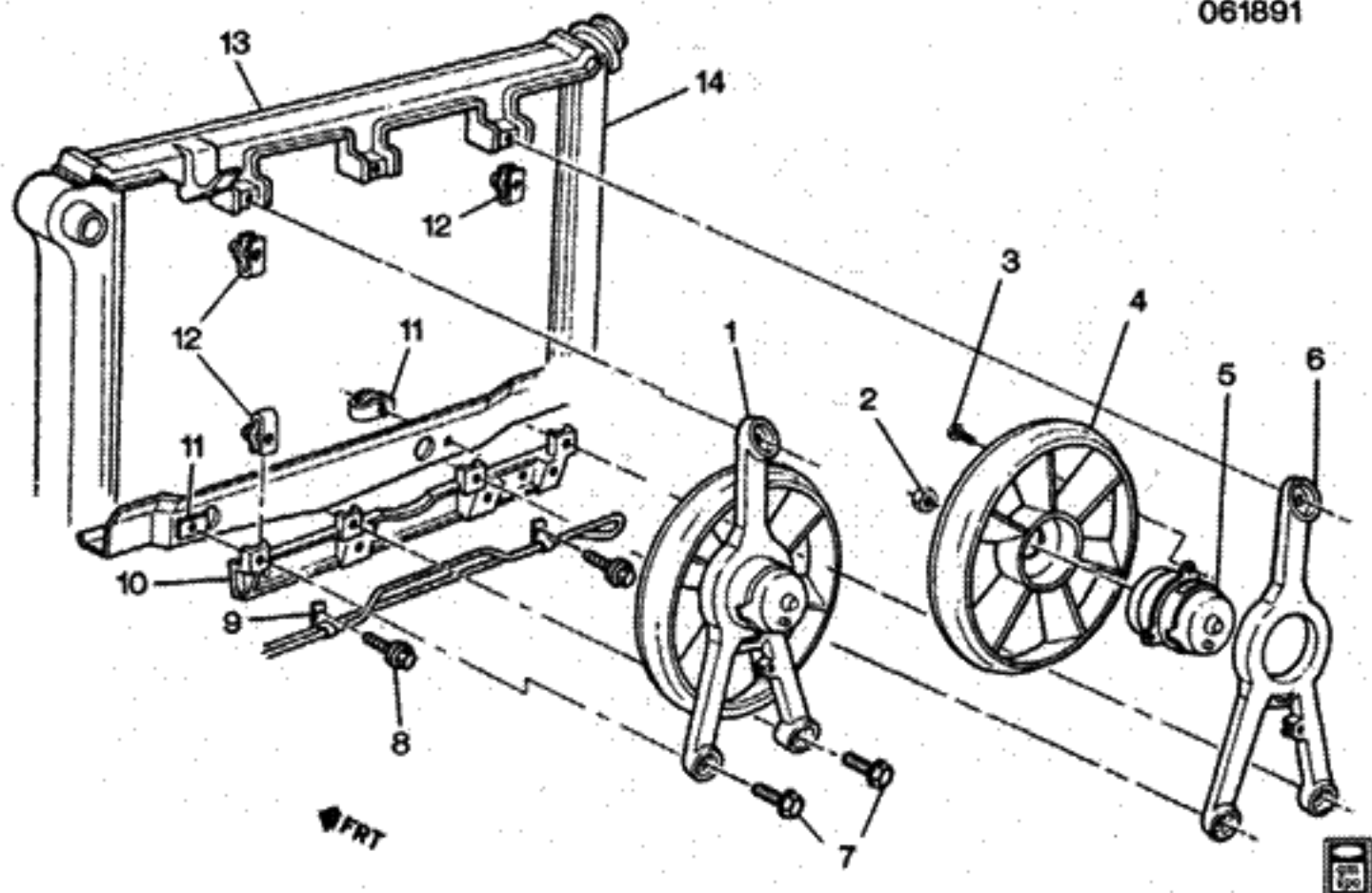
L98 - ENGINE,5.7L(5.7-8),V8(M.F.I.)



2F01-003

**1989 F ENGINE COOLANT FAN-3.8L V6 (LC2/3.8-7)**

1.	N.S.	FAN ASM , ENG COOL (INCL'S 5,6,7,8)	10077216
2.	9.242	CLIP , CMPR & CNDSR HOSE	11508764
3.	8.900	BOLT , HEX W/CON WA (M8X1.25X25) 9.8 POR	22082538
4.	1.055	NUT , ELEC CLG FAN	22034870
5.	1.055	SCREW , ELEC CLG FAN-W/WA KIT	22098787
6.	1.055	FAN KIT , ELEC CLG (PART OF 1)	22074989
7.	1.055	MOTOR KIT , ELEC CLG FAN (PART OF 1)	22073435
8.	1.055	BRACKET KIT , ELEC CLG FAN (PART OF 1)	10055083
9.	1.055	BRACKET , ENG COOL FAN	11509582
10.	8.921	NUT , U TYPE (M6.SX1.81,13.5 REACH)	12337966
11.	8.921	NUT , SPG U SHAPE (M8X1.25) STL	52453594
12.	1.219	RADIATOR	10069174
13.	1.270	PANEL , RAD MT (UPR)	11504646
14.	8.977	SCREW , PAN HD TORX TAP (M4.2X1.41X13) SST	14089936
15.	1.055	RELAY , ENG CLG FAN	



MF01-0081

**1992 F ENGINE COOLANT FAN (LB9,L98,C60)**

1.	N.S.	FAN ,CLNT(INCL 2-6)		
2.	1.055	NUT ,ENG COOL FAN BLADE TO MOTOR(PART OF 1)(M8X1.25 LEFT HAND THREAD)	92 F(LB9,L98)	1 22082538
3.	1.055	SCREW KIT ,ENG COOL FAN(ELEC)(PART OF 1)	92 F	1 22034870
4.	1.055	FAN KIT ,ENG COOL (ELEC)(PART OF 1)	92 F(LB9,L98)	1 22098787
5.	1.055	MOTOR KIT ,ENG COOL FAN (ELEC)(PART OF 1)	92 F(LB9,L98)	1 22088786
6.	1.055	BRACKET KIT ,ENG COOL FAN (ELEC)(PART OF 1)	92 F(LB9,L98)	2 22073435
7.	8.900	BOLT ,HEX W/CON WA M8X1.25X25 9.8 POR TYPE A HRD PT	92	AR 11508764
8.	8.977	SCREW ,HWH TAP W/FL WA M6.3X1.81X25 POR	92	AR 11505023
9.	8.950	CLIP ,CLSD STEEL 7/16 X 5/16 ZC TYP1 NAT(3.880)	92	AR 25526629
10.	1.055	BRACKET ,ENG COOL FAN	92 F(LB9,L98)	1 10055083
11.	8.921	NUT ,U-TYPE,6.3X1.81,13.5 REACH,25.8X 16.5, 0.65-3.8 PNL RNG,PZOR	92	AR 11509582
12.	8.921	NUT ,SPG U-SHAPE MULTI-THD M8X1.25 0.8 TO 40 PNL	92	AR 12337966
13.	1.270	PANEL ,RAD UPR MTG	92 F(LB9,L98)	1 10069174
14.	1.219	RADIATOR ,COOLANT(CODE AB)	92 F(L98,MD8)	1 52453958
	1.219	RADIATOR ,COOLANT(CODE A7,DT)	92 F(LB9,MK6,M39, MD8)	1 52453813

**RPO DEFINITIONS**

C60 - AIR CONDITIONER,FRONT,MANUAL CONTROLS

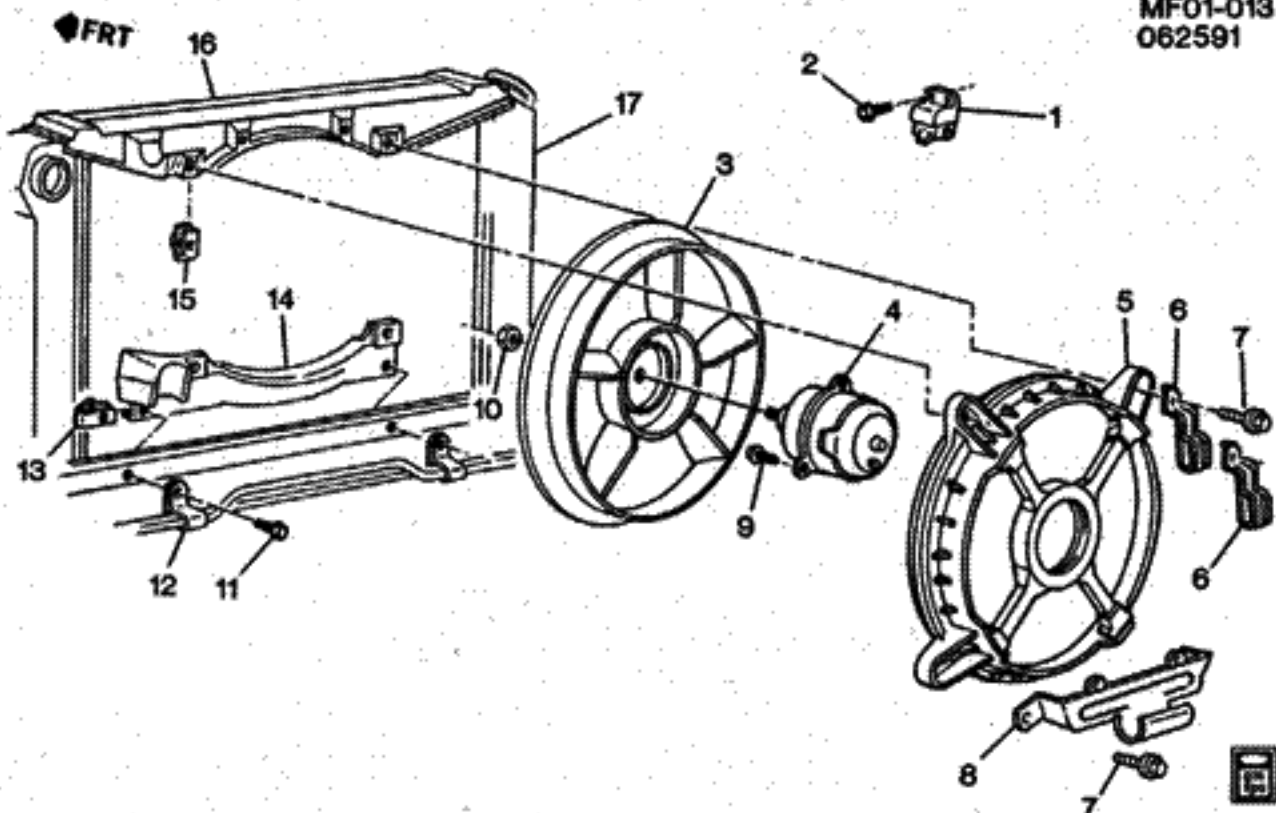
LB9 - ENGINE,5.0L(5.0F),V8 F1

L98 - ENGINE,5.7L(5.7-8),V8(M.F.I)

MD8 - TRANSMISSION,AUTOMATIC 4-SPEED(THM700R4/4L60)

MK6 - TRANSMISSION,MANUAL 5-SPEED(BORG-WARNER)

M39 - TRANSMISSION,MANUAL 5-SPEED(BORG-WARNER)



MF01-013F

## 1992 F ENGINE COOLANT FAN C41(LB9,L98,L03,LH0)

1.	1.055	RELAY ,ENG COOL FAN	92	F	AR	14089938
2.	8.977	SCREW ,PAN HD TORX TAP M4.2X1.41X13 CB	92		AR	11504848
3.	1.055	FAN KIT ,ENG COOL (ELEC)	92	F(LB9,L98)	1	22088787
	1.055	FAN KIT ,ENG COOL (ELEC)	92	F(LH0,L03)	1	22088793
4.	1.055	MOTOR KIT ,ENG COOL FAN (ELEC)	92	F(LH0,L03)	1	22088773
	1.055	MOTOR KIT ,ENG COOL FAN (ELEC)	92	F(LB9,L98)	1	22088786
5.	1.277	SHROUD KIT ,ENG COOL FAN(ELEC)	92	F(LH0,L03)	1	22040195
6.	2.483	BRACKET ,MULTIUSE RLY	92	F(LB9,LH0,L98,L03)	1	10098517
7.	8.900	BOLT ,HEX W/CON WA M8X1.25X25 9.8 POR TYPE A HRD PT	92		AR	11508764
8.	1.166	BRACKET ,RAD OTLT HOSE	92	F(LH0)	1	10100137
9.	1.055	SCREW KIT ,ENG COOL FAN(ELEC)	92	F	1	22034870
10.	1.066	NUT ,ENG COOL FAN BLADE TO MOTOR(M8X1.25 LEFT HAND THREAD)	92	F(LB9,L98)	1	22082538
	1.055	NUT ,ENG COOL FAN BLADE TO MOTOR(M8X1.25 LEFT HAND THREAD)	92	F(LH0,L03)	1	22082538
11.	8.977	SCREW ,HWH TAP W/FL WA M6.3X1.81X25 POR	92		AR	11505023
12.	8.950	CLIP ,CLSD STEEL 7/16 X 5/16 ZC TYP1 NAT(3.880)	92		AR	25528629
13.	8.921	NUT ,U-TYPE,6.3X1.81,13.5 REACH,25.8X 16.5, 0.65-3.8 PNL RNG,PZOR	92		AR	11509582
14.	1.055	BRACKET ,ENG COOL FAN	92	F(LB9,L98)	1	10055083
	1.055	BRACKET ,ENG COOL FAN	92	F(LH0,L03)	1	14076063
15.	8.921	NUT ,SPG U-SHAPE MULTI-THD M8X1.25 0.8 TO 40 PNL	92		AR	12337966
16.	1.270	PANEL ,RAD UPR MTG	92	F(LB9,L98)	1	10069174
	1.270	PANEL ,RAD UPR MTG	92	F(L03)	1	14089301
	1.270	PANEL ,RAD UPR MTG	92	F(LH0)	1	14089301
17.	1.219	RADIATOR ,COOLANT(CODE AB)	92	F(L98,MD8)	1	52453958
	1.219	RADIATOR ,COOLANT(CODE AF)	92	F(LH0,MD8)	1	52455839
	1.219	RADIATOR ,COOLANT(CODE AN,AS)	92	F(LH0,MB1)	1	52453812
	1.219	RADIATOR ,COOLANT(CODE A7,DT)	92	F(LB9,MK6,M39, MD8)	1	52453813
	1.219	RADIATOR ,COOLANT(CODE SF,SA)	92	F(L03,M39,MD8)	1	3092186

## RPO DEFINITIONS

LB9 - ENGINE,5.0L(5.0F),V8 FI