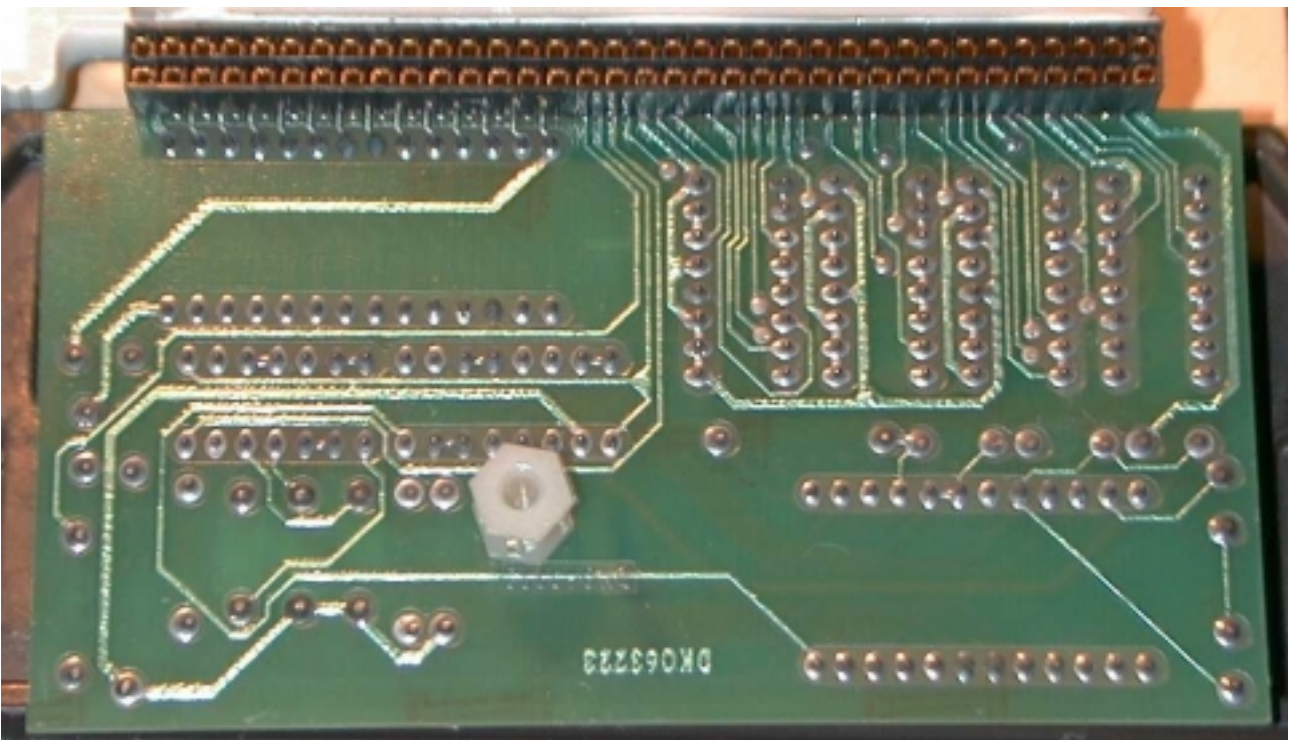
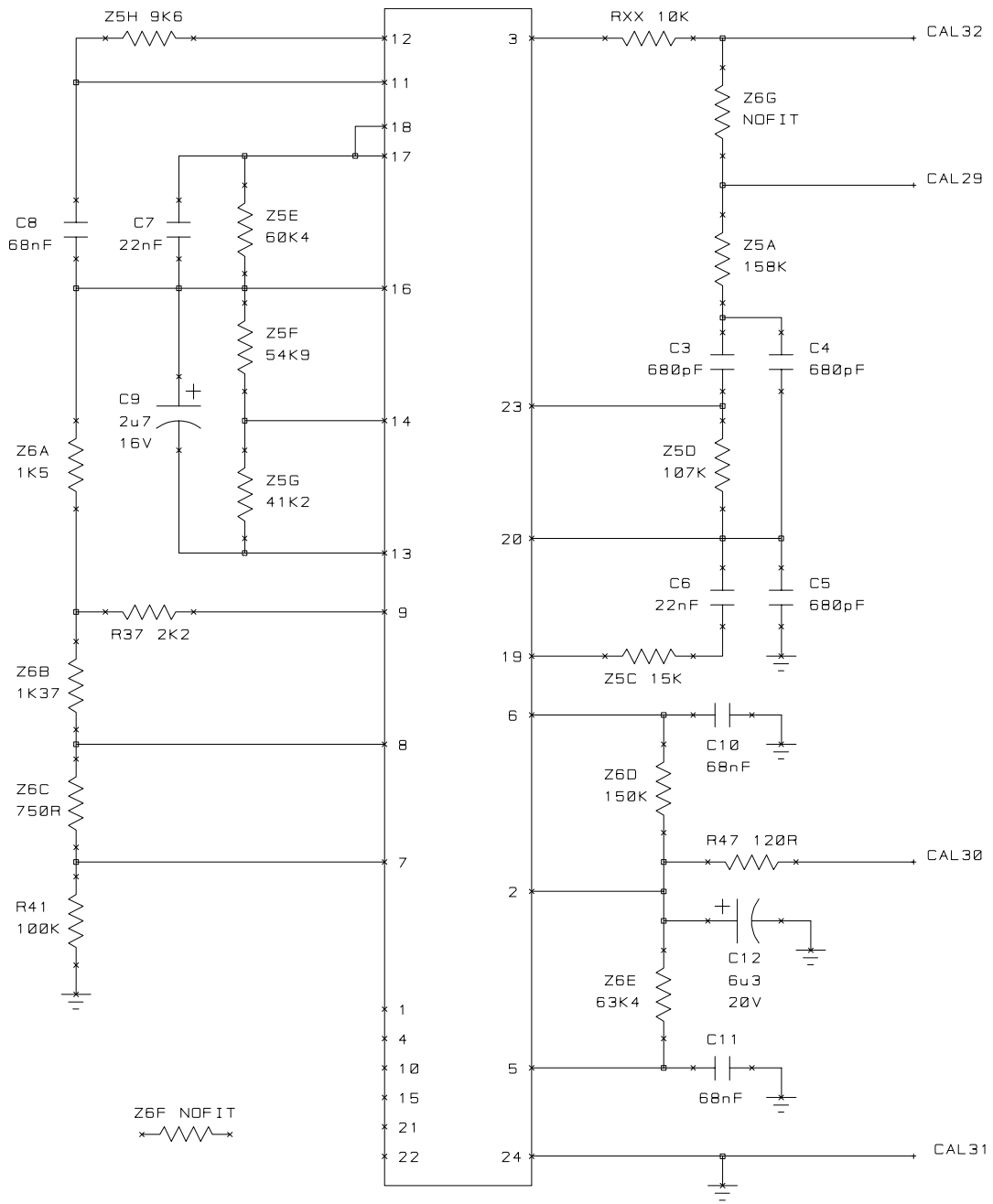


Topside Layout



Bottom Side Layout

26500



CONTRACT NO.		COMPANY NAME WWW.LOTUS-CARLTON.FSNET.CO.UK			
APPROVALS	DATE	DWG MEMCAL ELECTRONIC SPARK CONTROL (ESC)			
DRAWN		SIZE A	FSCM NO.	DWG NO.	REV. A
CHECKED		SCALE 1 : 1		ESC.CSD	SHEET 1 of 1
ISSUED					

