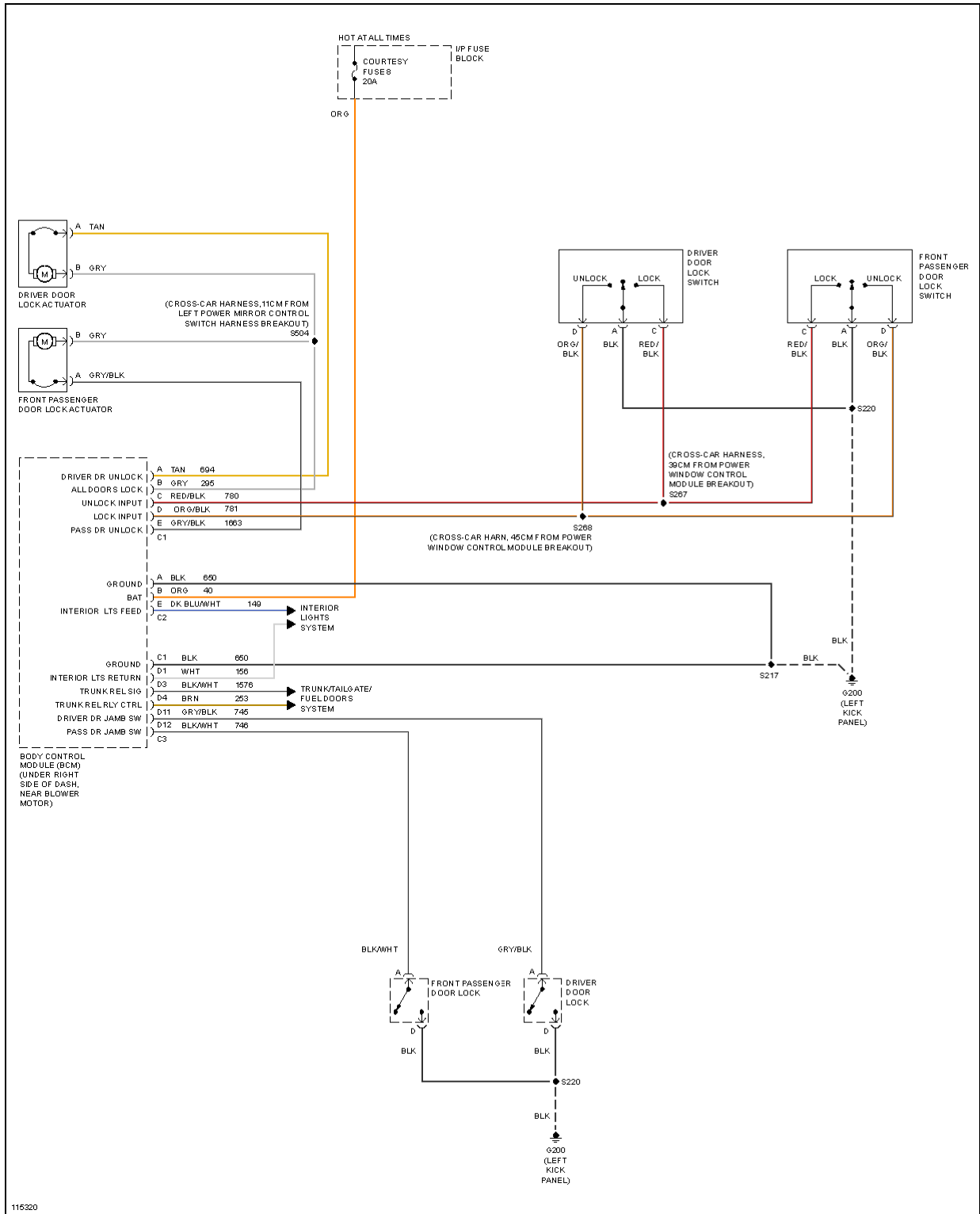


2001 Pontiac Firebird Trans Am

SYSTEM WIRING DIAGRAMS Fig. 39: Power Door Lock Circuit



115320