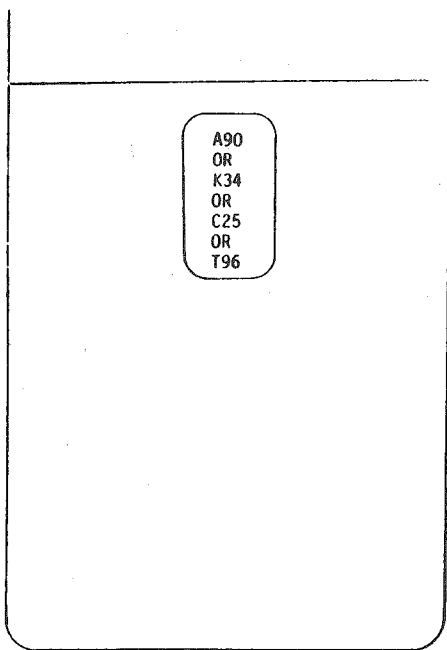


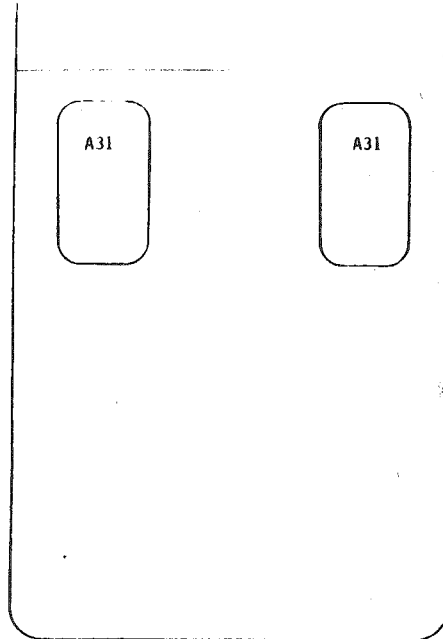


ITEM REFERENCE  PROCESS MATERIAL  TORQUE  EXISTING AS PART OF



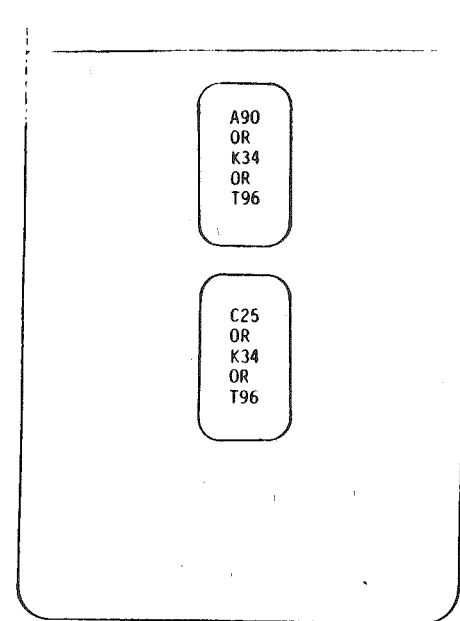
CONDITION 1 POSSIBILITIES

AS SHOWN ONLY



CONDITION 2 POSSIBILITIES

POWER WINDOWS ONLY



CONDITION 3 POSSIBILITIES

A90 OR A90 OR K34  
K34 OR C25 OR C25

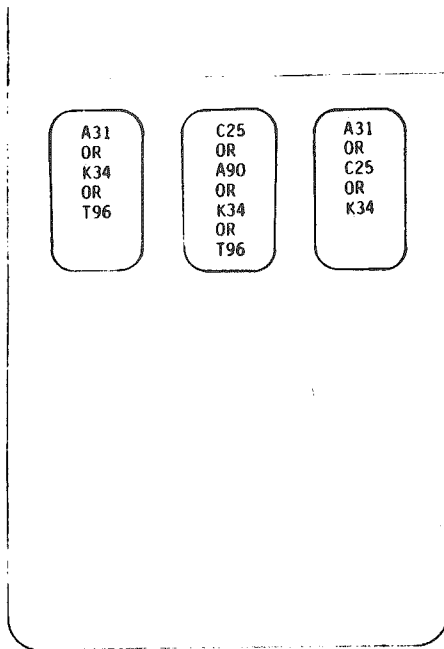
A90 OR T96 OR T96  
T96 OR K34 OR C25

DYNAMIC (Inch-lb)	HAND (Inch-lb)	DATE	SYM	REVISION	AUTH	DR	CK	ASM	APP	DATE	DIV	TITLE	UPC	SHEET
										08/10/84	CHEVROLET	1986 F PASSENGER 14089402		
										R. MOORE/TE		FLOOR CONSOLE SWITCH PIERCING ARRANGEMENT (CONTINUED)		
										CLA. Mc Kown AM		FSB7 ALL		
										APP				
										APP				
										APP				
										APP				
											REF ECA 41600 NEW 07/NOB4		1A2E	C8.1

FULLY DRIVEN SEATED & NOT STRIPPED

B C K O P

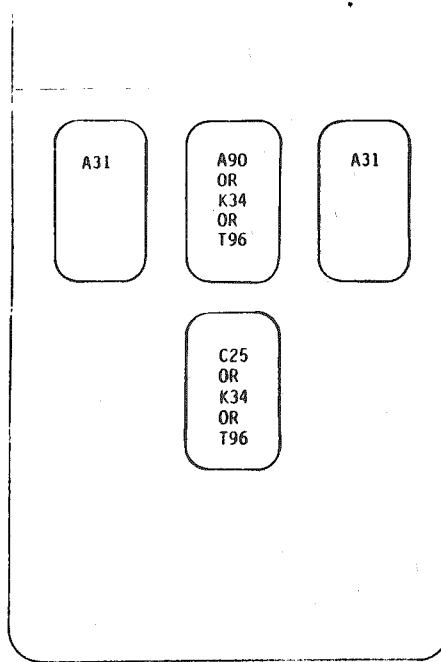
ITEM REFERENCE  PROCESS MATERIAL  TORQUE  EXISTING AS PART OF



CONDITION 4 POSSIBILITIES

A31 OR A31 OR A31 OR K34  
 C25 OR A90 OR K34 OR A90  
 C25

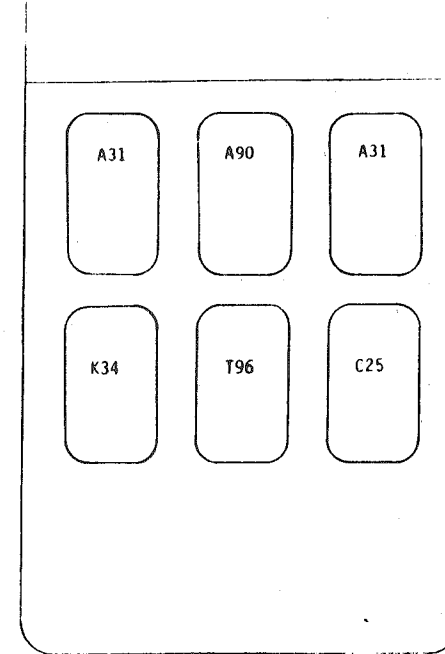
A31 OR K34 OR T96 OR T96  
 T96 OR A90 OR A90  
 C25 C25 K34



CONDITION 5 POSSIBILITIES

A31 A31 A31  
 A90 OR K34 OR A90  
 C25 C25 K34

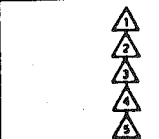
A31 A31 OR A31  
 A90 OR T96 OR T96  
 T96 K34 C25



CONDITION 6 POSSIBILITIES

AS SHOWN ONLY

DYNAMIC (Instal.) No.	HAND (Instal.) No.	DATE	SYM	REVISION	AUTH	DR	CK	ASM CHS	APP	DATE	DIV	TITLE	REF	L L L	UPC	SHEET
										08NOB4	CHEVROLET	1986 F PASSENGER 14089402	ECA 41600 NEW 07NOB4		1A2E	C8.2
										R. MOORE/TE		FLOOR CONSOLE SWITCH PIERCING ARRANGEMENT (CONTINUED) FS87 ALL				
										CK McKeown AM						



FULLY DRIVEN, SEATED & NOT STRIPPED

