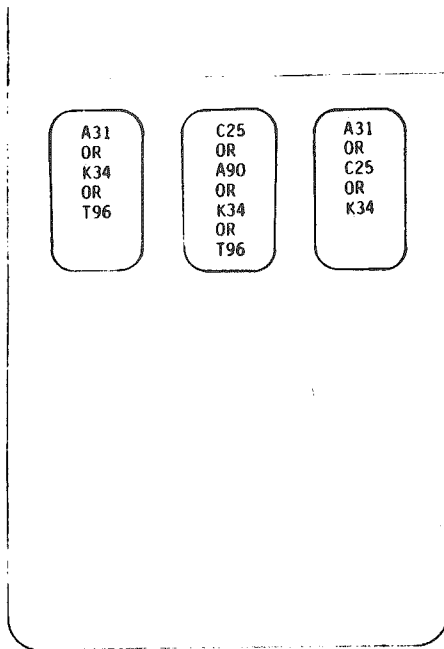


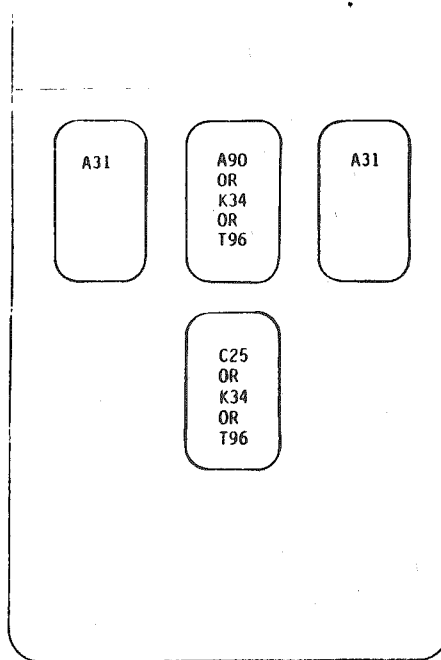
ITEM REFERENCE PROCESS MATERIAL TORQUE EXISTING AS PART OF



CONDITION 4 POSSIBILITIES

A31 OR A31 OR A31 OR K34
 C25 OR A90 OR K34 OR A90
 C25

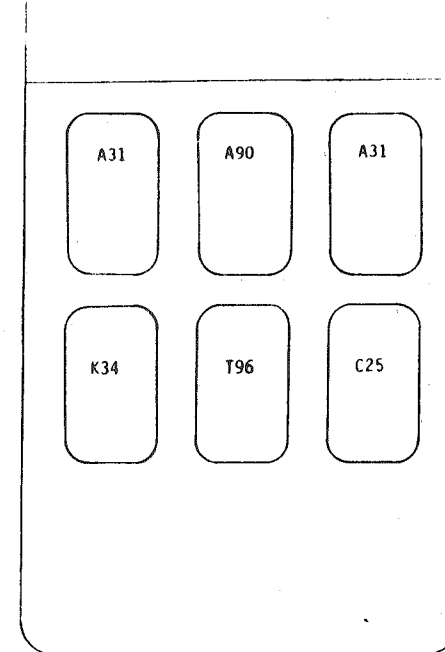
A31 OR K34 OR T96 OR T96
 T96 OR A90 OR A90
 C25 C25 K34



CONDITION 5 POSSIBILITIES

A31 A31 A31
 A90 OR K34 OR A90
 C25 C25 K34

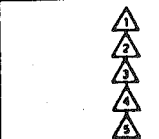
A31 OR A31 OR A31
 A90 OR T96 OR T96
 T96 K34 C25



CONDITION 6 POSSIBILITIES

AS SHOWN ONLY

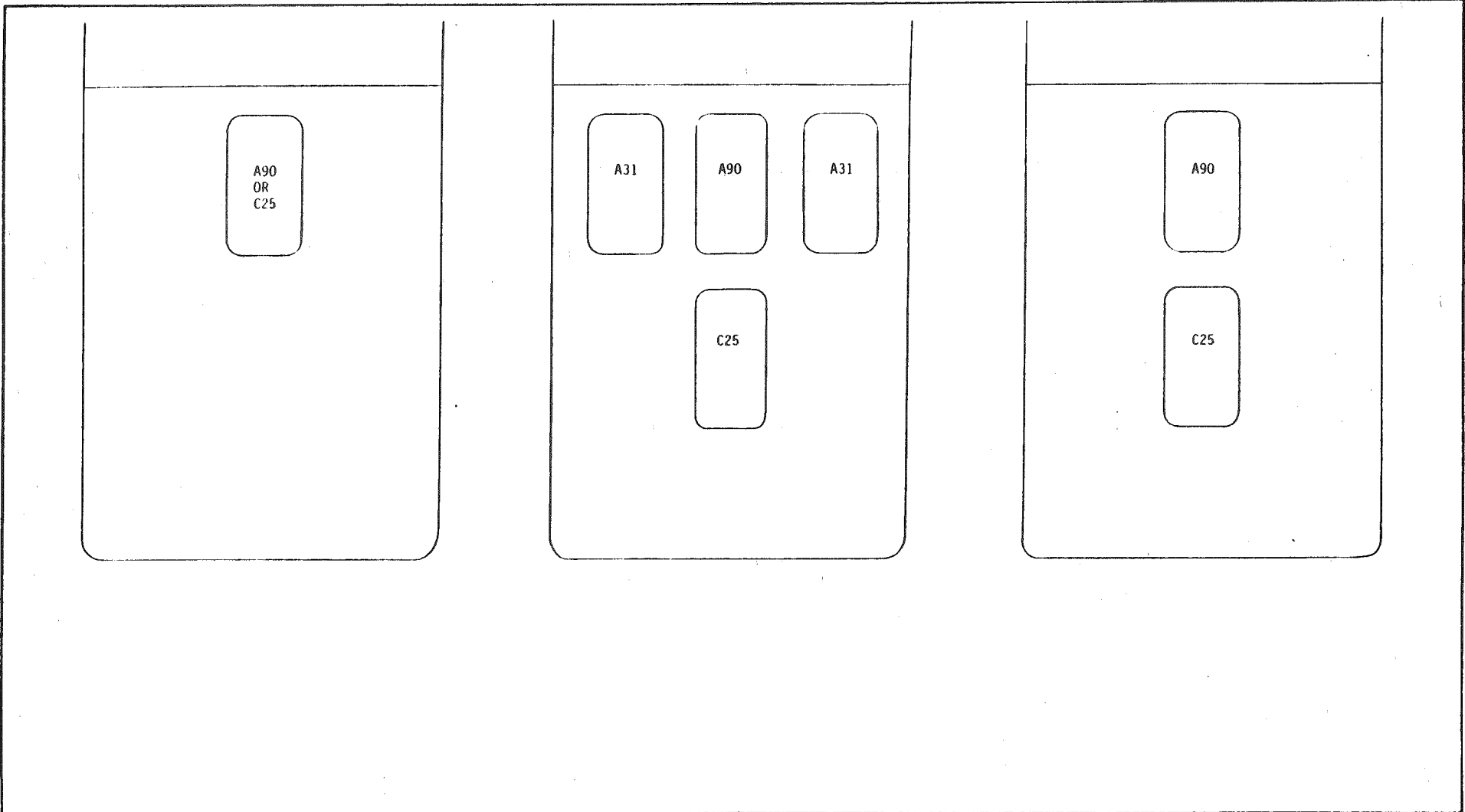
DYNAMIC (Instal.) No.	HAND (Instal.) No.	DATE	SYM	REVISION	AUTH	DR	CK	ASM CHS	APP	DATE	DIV	TITLE	REF	L L L	UPC	SHEET
										08NOB4	CHEVROLET	1986 F PASSENGER 14089402	ECA 41600 NEW 07NOB4		1A2E	C8.2
										R. MOORE/TE		FLOOR CONSOLE SWITCH PIERCING ARRANGEMENT (CONTINUED) FS87 ALL				
										CK McKeown AM						



FULLY DRIVEN, SEATED & NOT STRIPPED



ITEM REFERENCE PROCESS MATERIAL TORQUE EXISTING AS PART OF



DYNAMIC (Instal) N·m	HAND (Instal) N·m	DATE	SYM	REVISION	AUTH	DR	CK	ASM CHG	APP	DATE	DIV	TITLE	REF	UPC	SHEET
										08/10/84	CHEVROLET	1986 F PASSENGER 14089402	ECA 41600 NEW 07N084	1A2E	C8.3
										DR R. MOORE / TE		FLOOR CONSOLE SWITCH PIERCING ARRANGEMENT FPOO ALL			
										SK A. McKeown AM					
										APPR					
										APPR					
										APPR					
										APPR					

FULLY DRIVEN SEATED & NOT STRIPPED

B C H O P