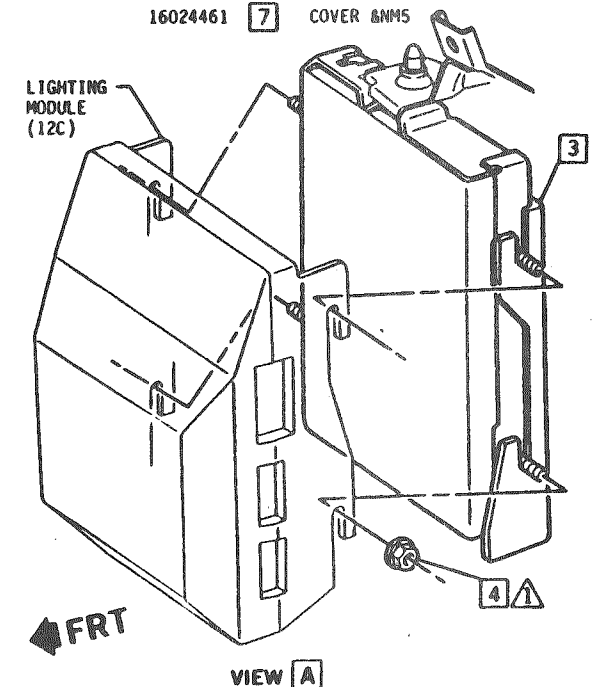
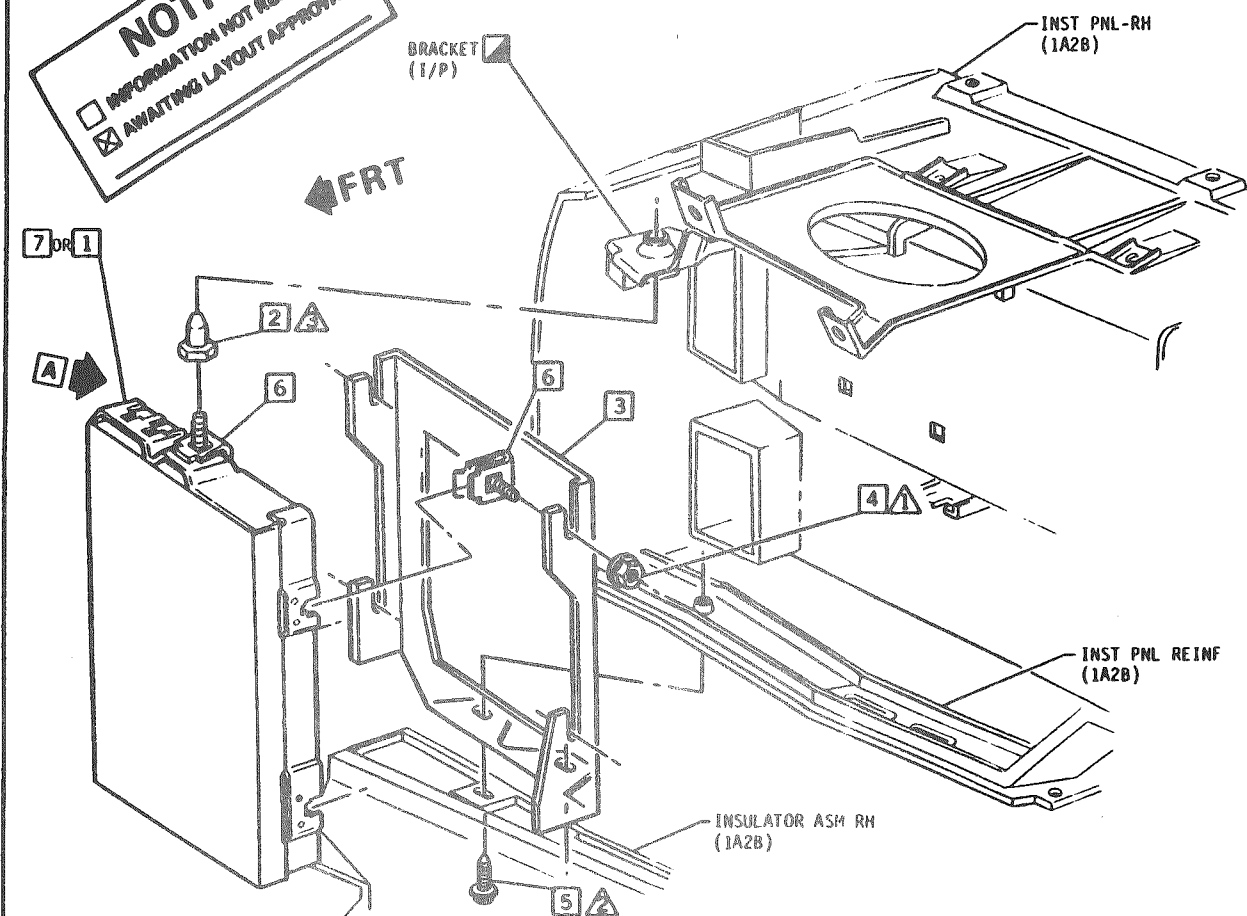




ITEM REFERENCE  
  PROCESS MATERIAL  
  TORQUE  
  EXISTING AS PART OF

**NOTICE**  
 INFORMATION NOT RELEASED  
 AWAITING LAYOUT APPROVAL

- 16037081  1 MODULE ASM (SHOWN) FOR SPECIFIC RELEASING & ADDITIONAL PARTS NUMBERS, SEE PARTS LIST.
- 10027015  2 RETAINER
- 14073420  3 BRACKET
- 11503647  4 NUT
- 11503396  5 BOLT/SCREW
- 14073459  6 BOLT/SCREW
- 16024461  7 COVER & NMS



DYNAMIC (Instel) D-m	HARD (Instp.) D-m	DATE	SYN	REVISION	AUTH	DR	CE	REV	DATE	DIV	TITLE	SHEET
									250C84	CHEVROLET	1986 F PASSENGER	14089402
									DR R. KOCH		ELECTRONIC FUEL CONTROL MODULE	
									CR J. Mc Brown AM		FAO0 8NA5/NB2/NM5	
									APPR NS			
									APPR			
									APPR	REF ECA 41600	11-25000 (S)	UPC 6M1
									APPR	C/O 180C84	11-31729 (NS)	SHEET C6
									APPR			

FULLY DRIVEN, SEATED & NOT STRIPPED  
 C  
  D  
  O  
  P  
  Co