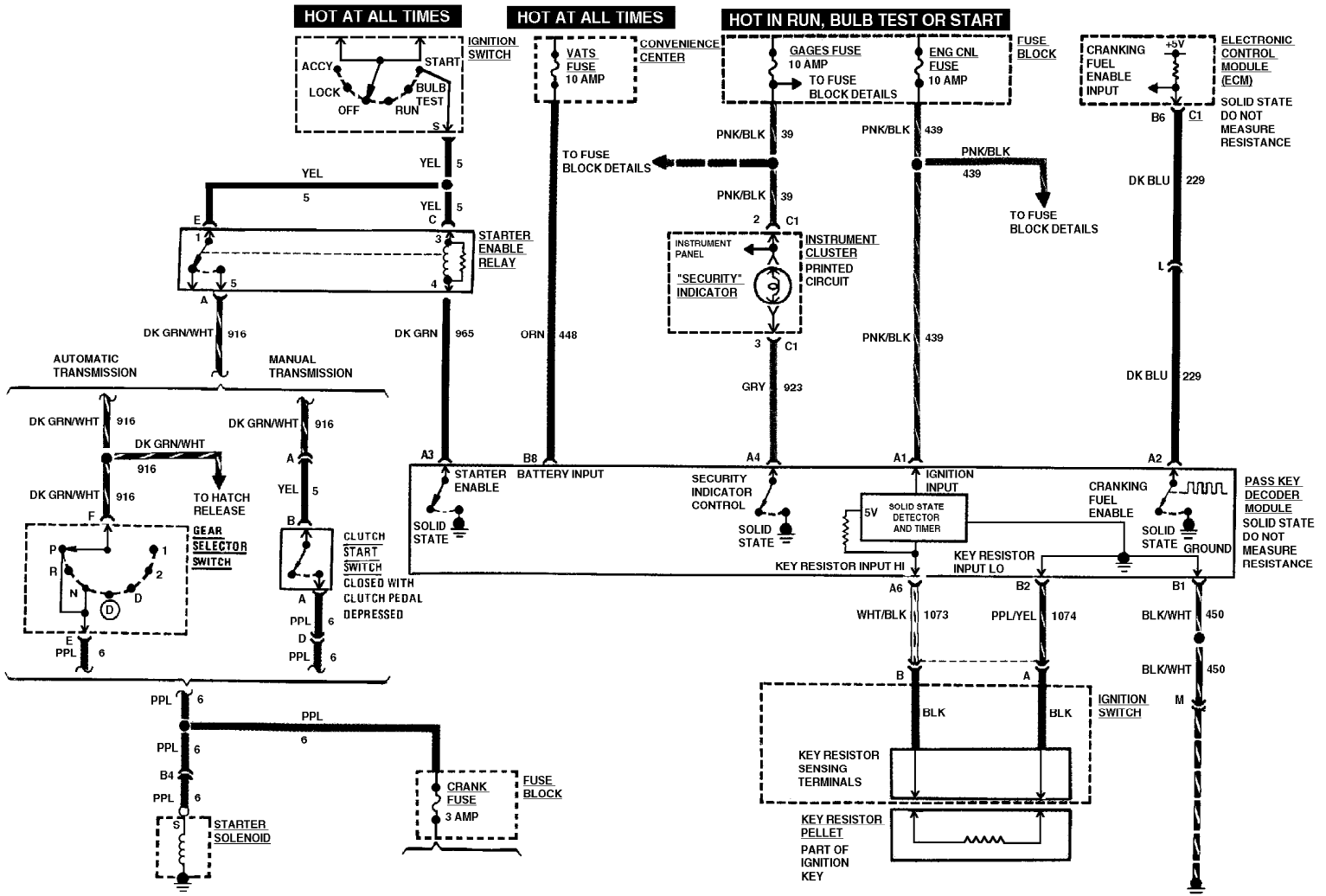


# ANTI-THEFT SYSTEM

**Fig. 1: Anti-Theft System Wiring Diagram - 1989 Print For Best Results**

1989 Pontiac Firebird Trans Am GTA



50B15561