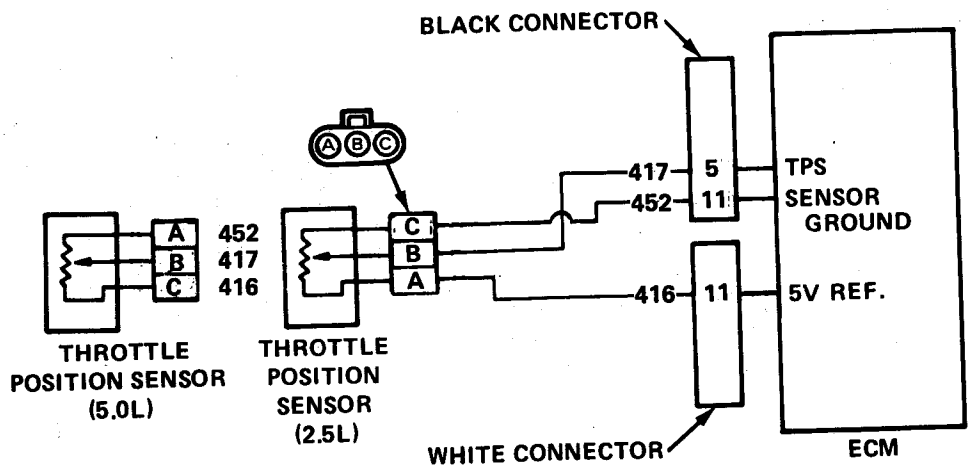
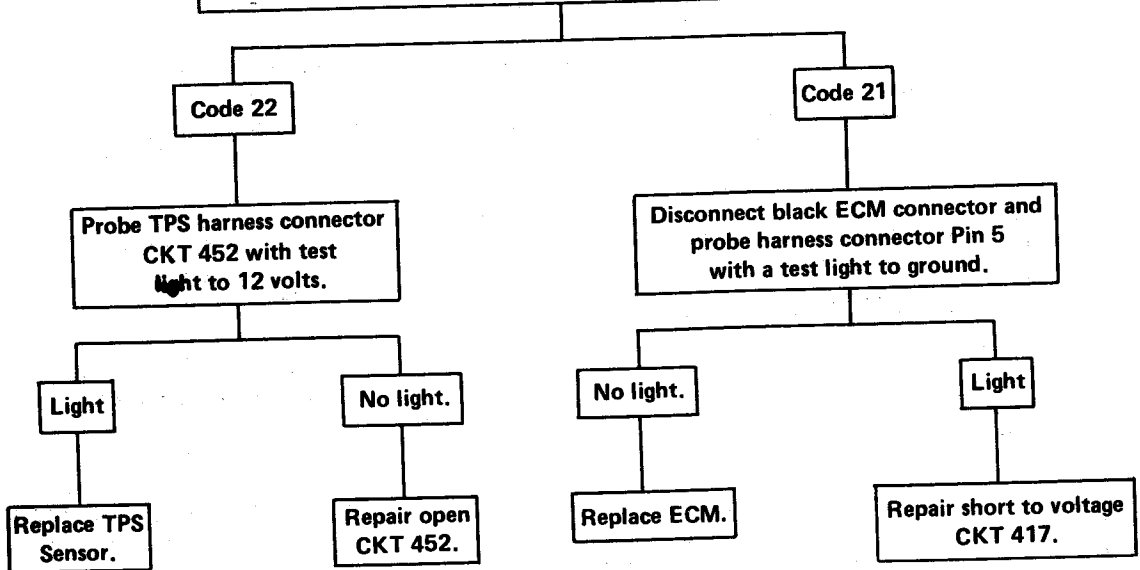


CODE 21

FUEL INJECTION  
THROTTLE POSITION SENSOR  
(SIGNAL VOLTAGE HIGH)

- Diagnostic terminal not grounded.
- Clear codes.
- Disconnect TPS sensor.
- Start engine and idle for 1 minute or until "Check Engine" light comes on.
- Ignition "ON" engine stopped.
- Ground Diagnostic Terminal and Note Code.



Clear codes and confirm "Closed Loop" operation and no "Check Engine" light.

K2181

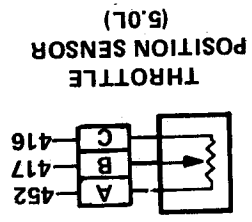
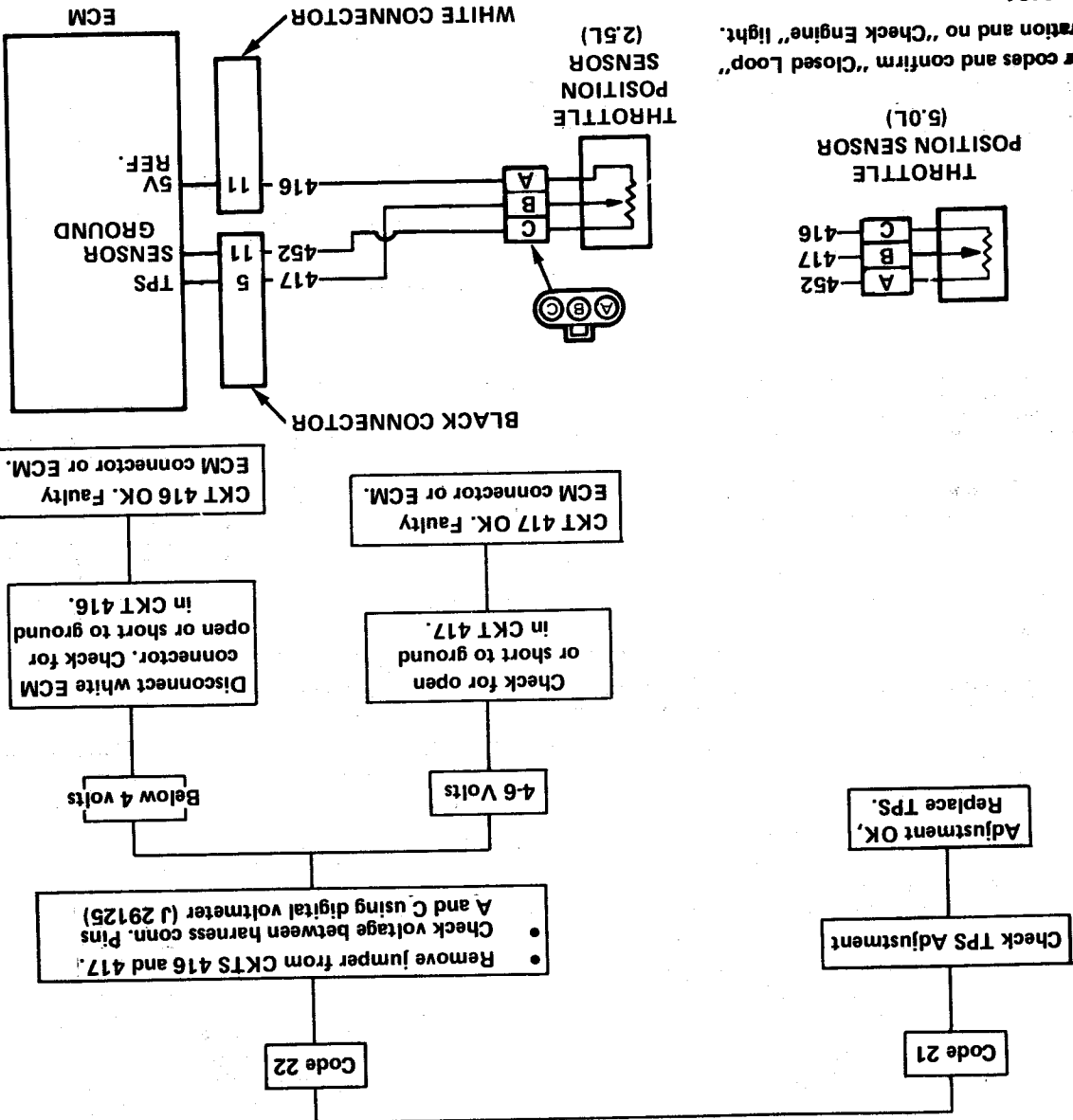
G1081

210515

Fig. 6E2-55 T.P.S. Check

**CODE 22**  
**1982 FUEL INJECTION**  
**THROTTLE POSITION SENSOR**  
**(SIGNAL VOLTAGE LOW)**

- Diagnostic terminal not grounded.
- Clear codes.
- Disconnect TPS and jumper CKTS 416 and 417.
- Start engine and idle for 1 minute or until "Check Engine" light comes on.
- Ignition "ON," engine stopped. Ground Diagnostic Terminal and Note Code.



codes and confirm "Closed Loop" condition and no "Check Engine" light.

K2181

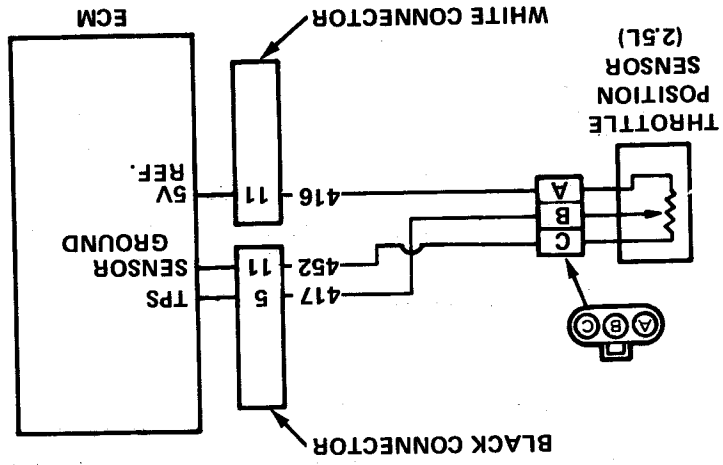


Fig. 6E2-56 T.P.S. Check

210516

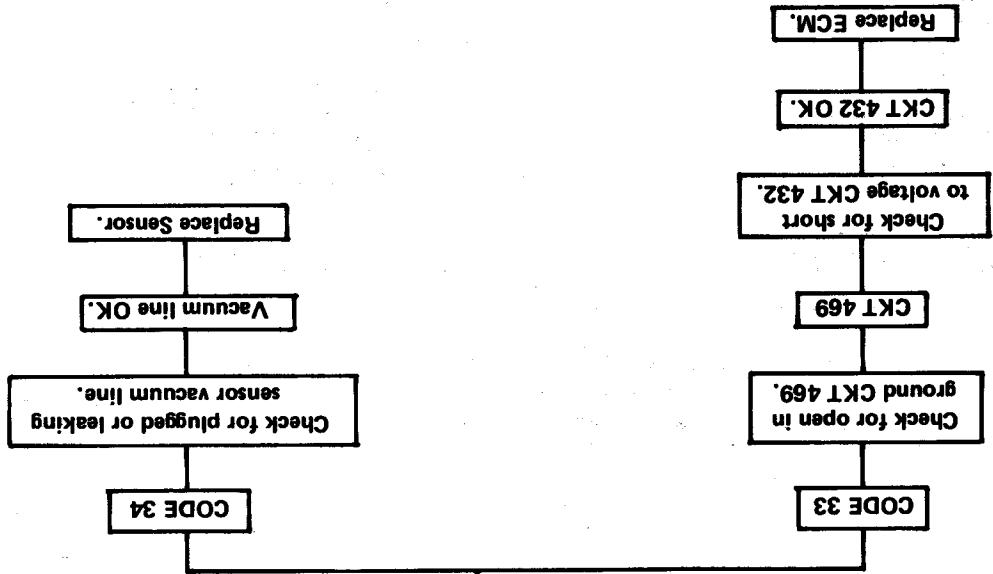
CODE 33

FUEL INJECTION

MAP SENSOR

(SIGNAL VOLTAGE HIGH)

- Ignition "OFF," clear codes.
- Disconnect MAP sensor connector.
- Diagnostic terminal not grounded.
- Start engine and run for 1 minute or until "Check Engine" light comes on.
- Ignition "ON," engine stopped.
- Ground diagnostic terminal and note code.



K2181

Clear codes and confirm "Closed Loop" operation and no "Check Engine" light.

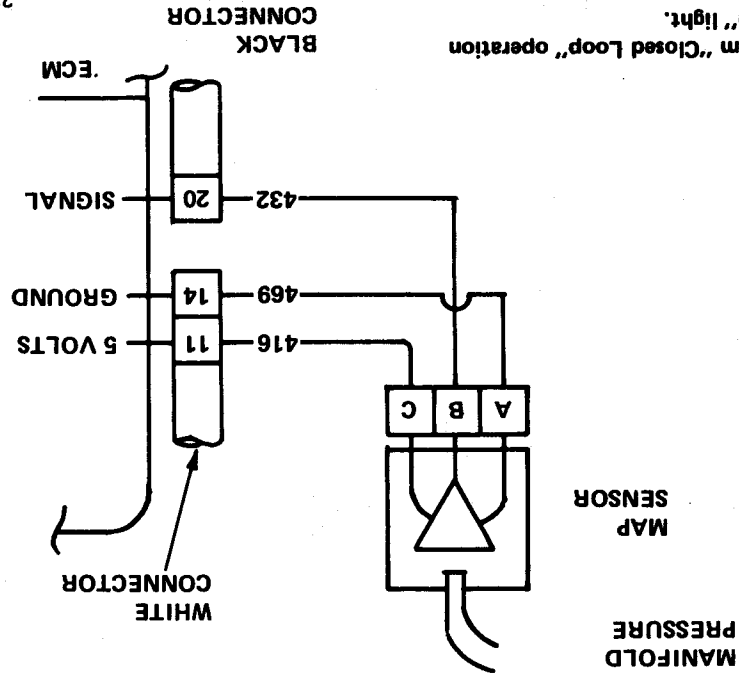
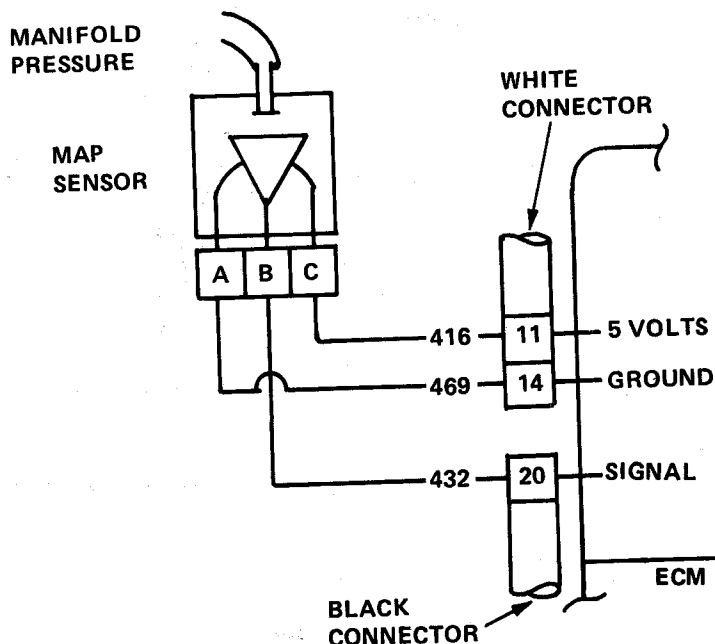
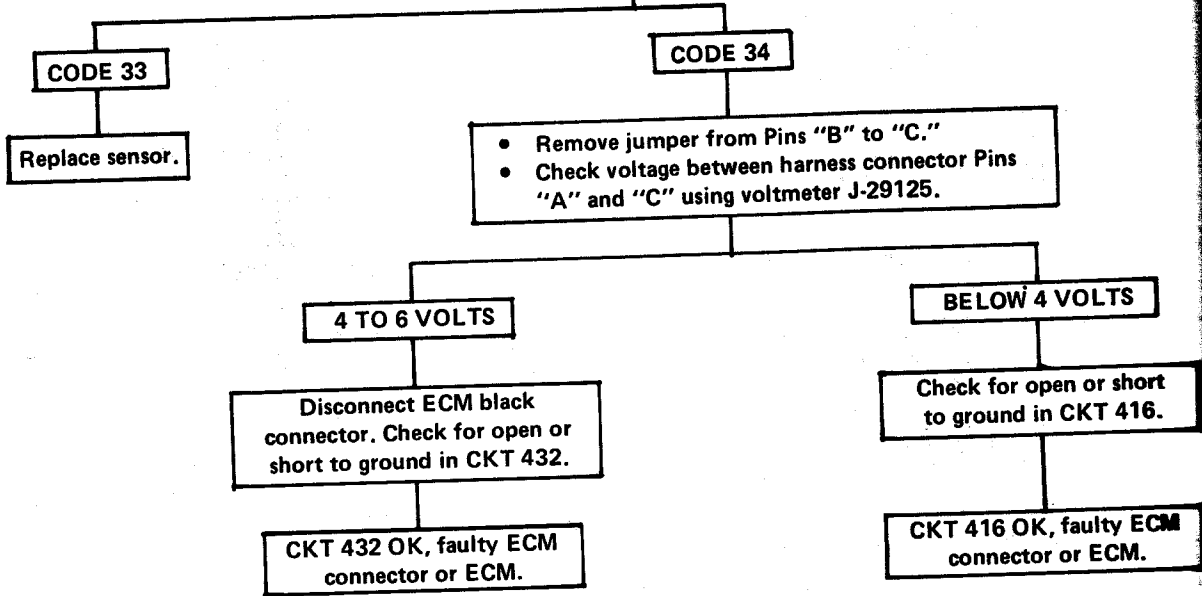


Fig. 6E2-58 Code 33

211280

**CODE 34  
FUEL INJECTION  
MAP SENSOR**

- Ignition "OFF," clear codes.
- Disconnect MAP sensor and jumper harness connector pins "B" to "C."
- Diagnostic terminal not grounded.
- Start engine and run for 1 minute or until "Check Engine" light comes on.
- Ignition "ON," engine stopped.
- Ground diagnostic terminal and note code.



G1781

Clear codes and confirm "Closed Loop" operation and no "Check Engine" light.

211281

Fig. 6E2-59 Code 34