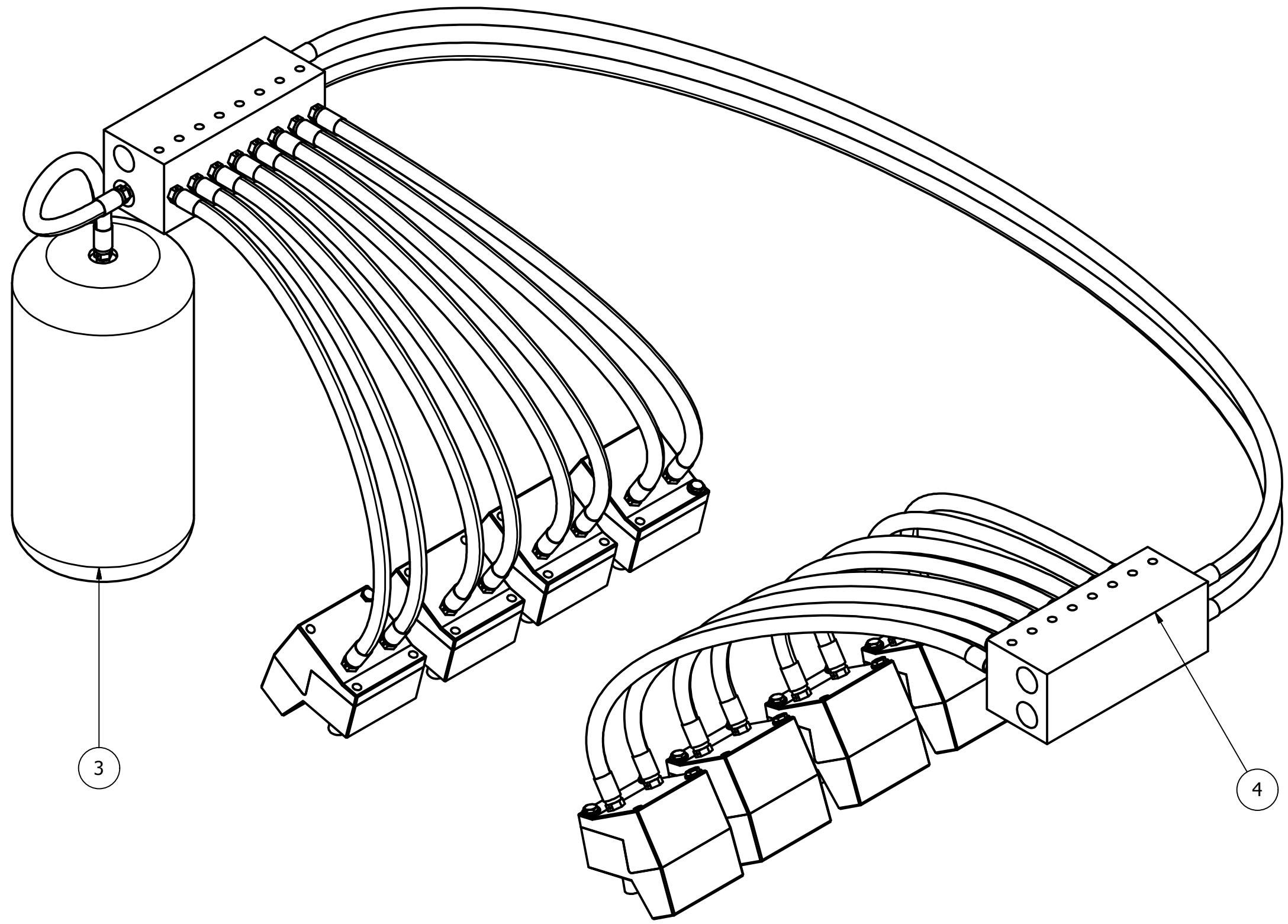
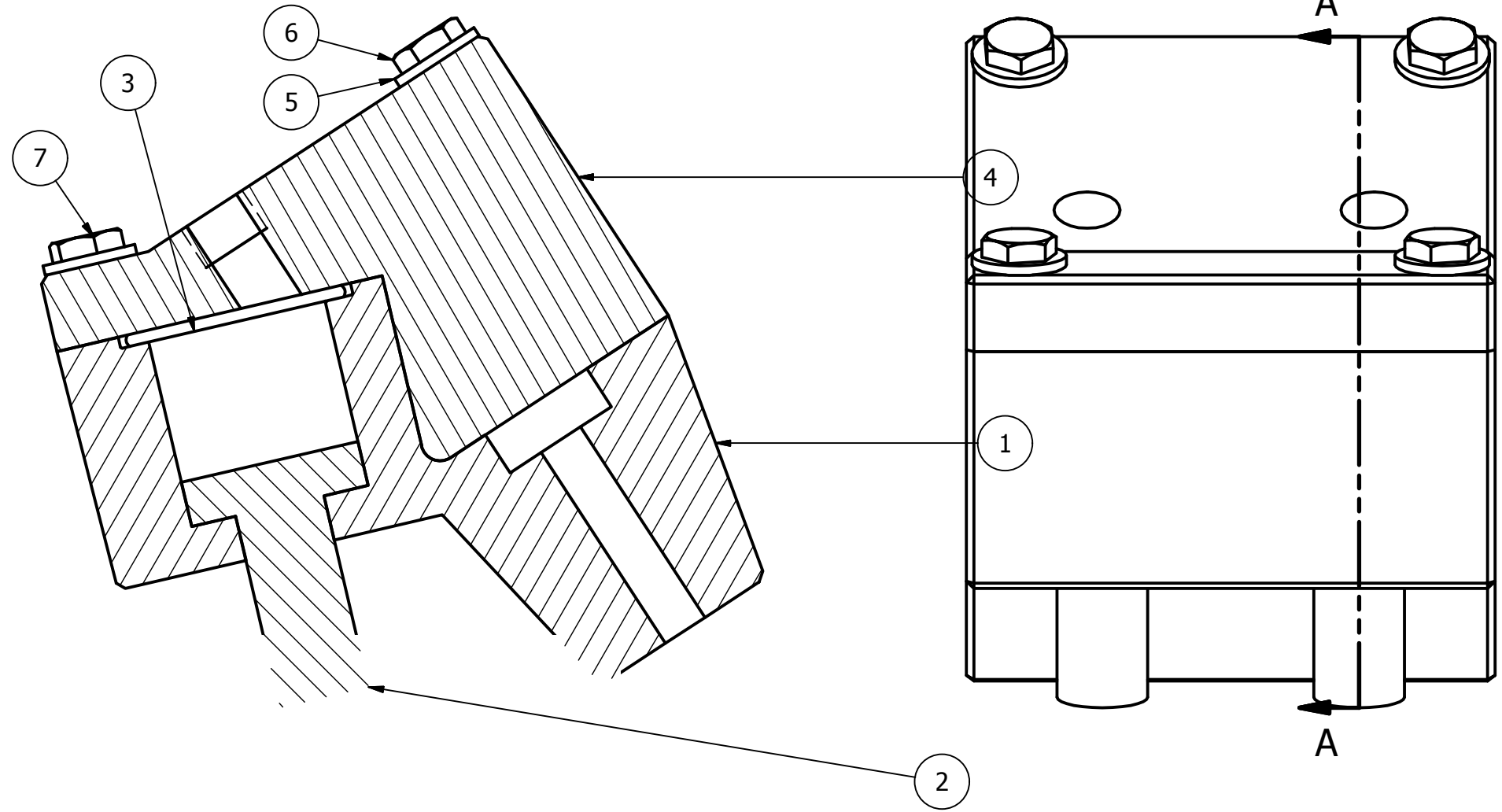


PARTS LIST			
ITEM	QTY	PART NUMBER	DESCRIPTION
1	1	Valve Piston Housing	
2	2	Valve Piston	
3	2	ISO 3601-1 - B 0325 G	Fluid power systems - O-ring
4	1	Valve Piston Housing Cap	
5	4	ANSI B18.22.1 - 1/4 - narrow - Type A	Plain Washer (Inch)Type A and B
6	2	ANSI B18.2.1 - 1/4-28 UNF - 2.5	Hex Cap Screw
7	2	ANSI B18.2.1 - 1/4-28 UNF - 0.625	Hex Cap Screw



PARTS LIST			
ITEM	QTY	PART NUMBER	DESCRIPTION
1	1	Valve Solenoid Manifold	
2	8	Valve Piston Assembly	
3	1	Valve Fluid Reservoir	
4	1	Valve Solenoid Manifold Assembly	
5	1	Run01	

DRAWN Alex	10/29/2009	TITLE		
CHECKED				
QA				
MFG				
APPROVED		SIZE C	DWG NO CCVT Assembly	REV
		SCALE	SHEET 1 OF 1	