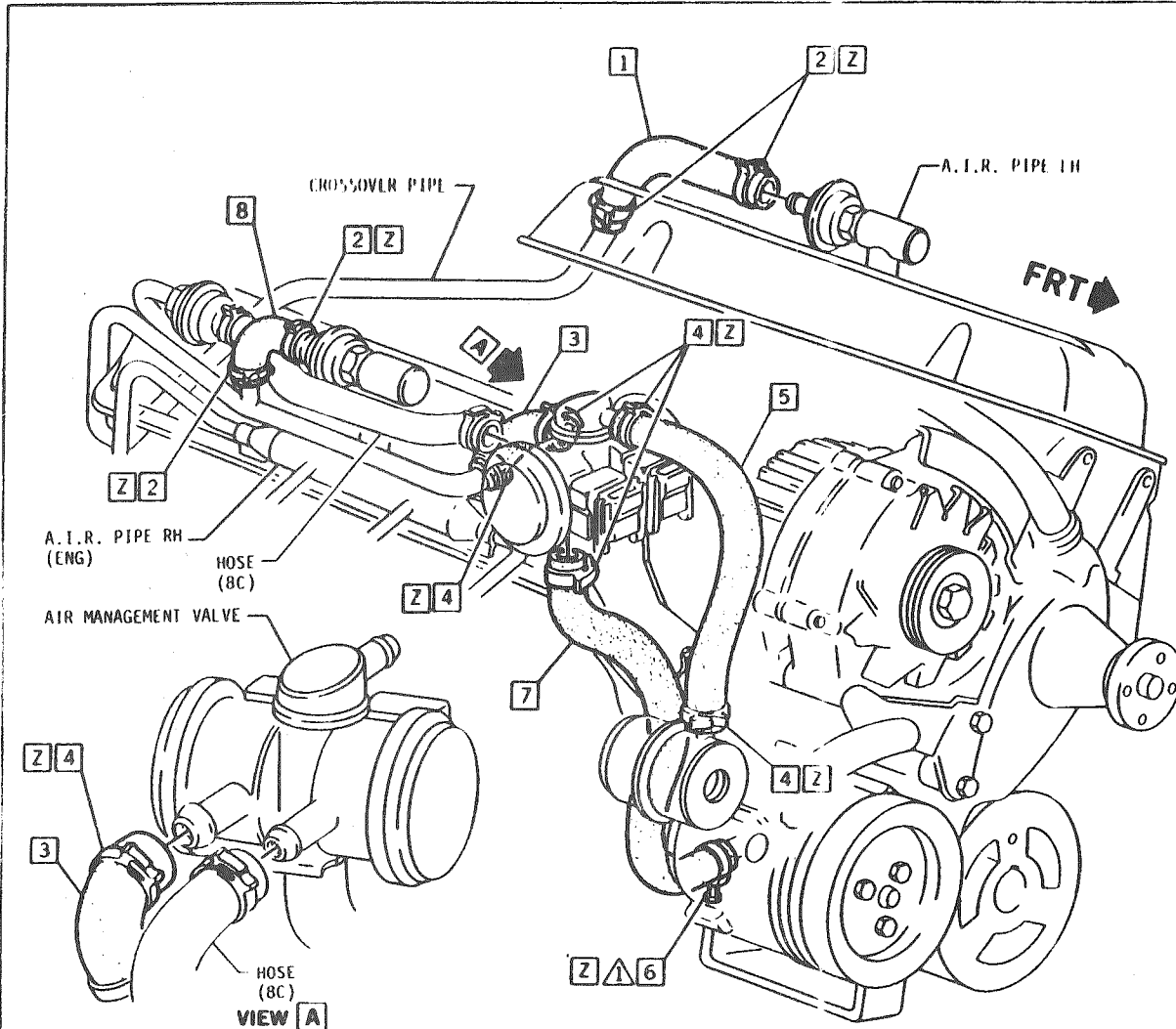


ITEM REFERENCE  PROCESS MATERIAL  TORQUE  EXISTING AS PART OF



- 14088810  HOSE
- 1622742  CLAMP
- 14082497  HOSE
- 14091591  &NMB
- 1620395  CLAMP
- 14082498  HOSE
- 14091592  &NMB
- 14054896  CLAMP
- 14082499  HOSE
- 14082496  HOSE

**NOTICE**  
 INFORMATION NOT RELEASED  
 AWAITING LAYOUT APPROVAL

SEE UPC "0A" FOR "HOSE CLAMPING INSTRUCTIONS".

DYNAMIC (Model) N <sup>o</sup>	HAND (loop) N <sup>o</sup>	DATE	SYM	REVISION	AUTH	DR	CK	ASST CHG	APP	DATE	DIV	TITLE	REF	UPC	SHEET	
	3.0-3.2									08NO84	CHEVROLET	1986 F PASSENGER 14089402	ECA 41600 C/O 290C84	L-32939 (NS) L- L- L-	6T	C6
										R. KOCH		A.I.R. HOSES & CLAMPS FA00 & LB9				
										CKA McKeown						
										NS						

FULLY DRIVEN, SEATED & NOT STOPPED

B C  K O P