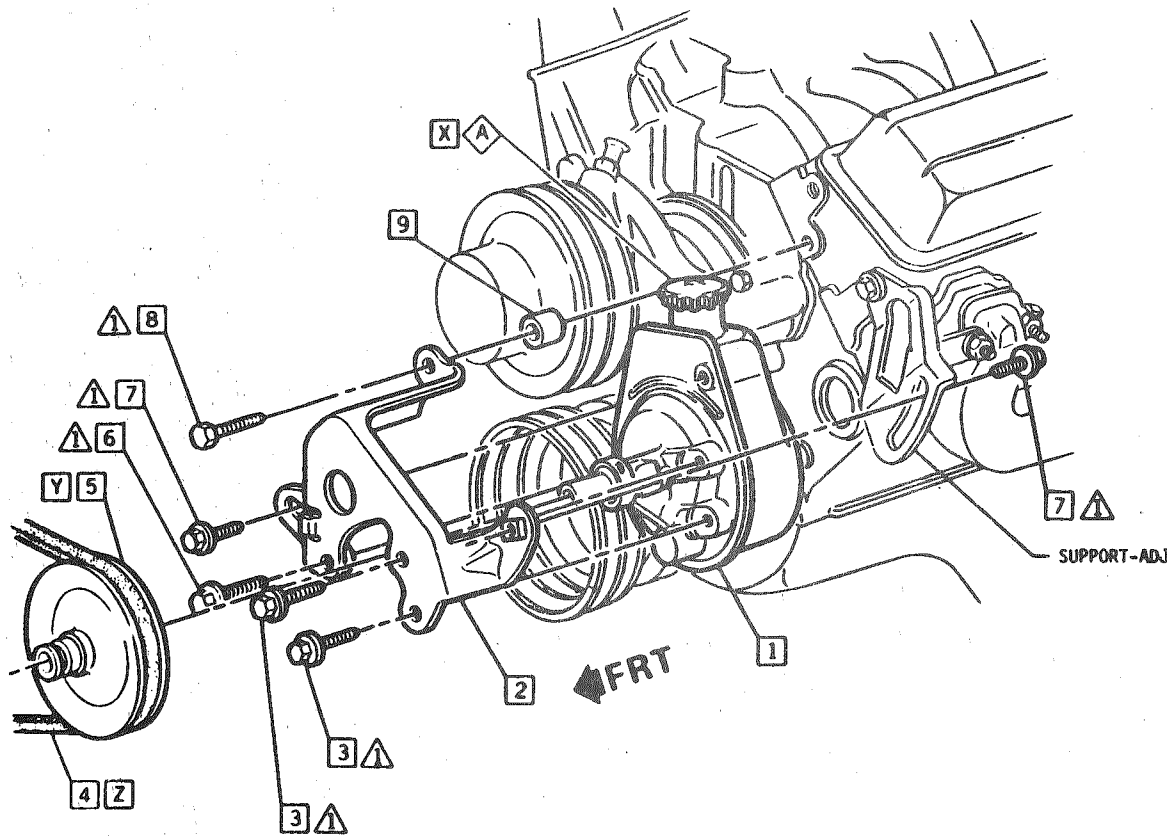




General Motors Corporation  
CHEVROLET MOTOR DIVISION

PRODUCT DESCRIPTION MANUAL

ITEM REFERENCE    PROCESS MATERIAL    TORQUE    EXISTING AS PART OF



- 7847642  1 PUMP ASM
- 14081277  2 BRACKET ASM-PUMP PIVOT
- 11508581  3 BOLT/SCREW
- 469583  4 BELT & LG4 & K79
- 464632  4 BK64
- 14023172  5 PULLEY ASM
- 11508251  6 BOLT/SCREW
- 9439905  7 BOLT/SCREW
- 9418994  8 BOLT/SCREW
- 3983422  9 SPACER
- 9985010  A FLUID (0.606 L)

- X SEE UPC 9E-C6 FOR POWER STEERING FILL PROCEDURE.
- Y SEE UPC 9Z-06 FOR INSTALLATION OF PULLEY ASM TO PUMP.
- Z SEE UPC 6Z FOR BELT ROUTING & TENSIONING.

DYNAMIC (Instal) N m	HAND (Instp) N m	DATE	SYM	REVISION	AUTH	DR	EN	ASD	DATE	DIV	TITLE
	26 - 40								27 SE 84	CHEVROLET	1986 F PASSENGER 14089402
									R.M. CLOS		POWER STEERING PUMP
									<i>H. Blushby</i> LMS		FA00 8LB9/LG4 & C40/C41
									S J		
										DEF ECA 41600	L-16720 (S)
										C/O 31AUB4	9E
											C2

FULLY DRIVEN, SEALED & NOT STRIPPED

Ch X B O P Co