

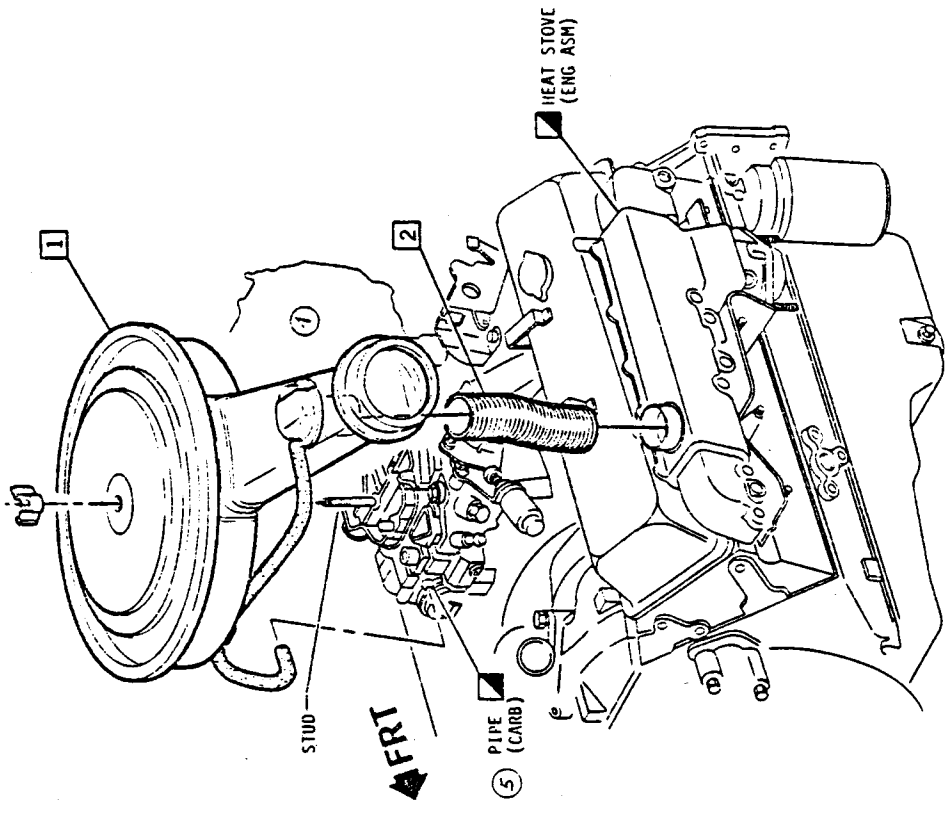


General Motors Corporation
CHEVROLET MOTOR DIVISION

PRODUCT DESCRIPTION MANUAL

ITEM REFERENCE PROCESS MATERIAL TORQUE EXISTING AS PART OF

- ① CLEANER ASM-AIR
- ② TUBE ASM-HEAT
- ③ NUT



NOTICE
 INFORMATION NOT RELEASED
 AWAITING LAYOUT APPROVAL

DYNAMIC (Instel) Wm	HAND (Instel) Wm	DATE	SYM	REVISION	DATE	DR	DATE	DIV	TITLE
		3/1/71	1	PART NO. ADDED	1/27/71	1	1-26626	CHEVROLET	1982 "F" CHEV 14036164
			2	PART NO. ADDED					AIR CLEANER & HEAT TUBE
			3	PART NO. ADDED					FA00 & LCA
			4	AIR CLEANER Dwg. REVISED					1-26626 (NS)
			5	"CARB PIPE" REV. ADDED					6M
			6	"WAS EXCLUDED CLEANER ASM"					C4.1

FULLY DRAWN, SLATED & NOT STRIPPED

C X B O P X G