

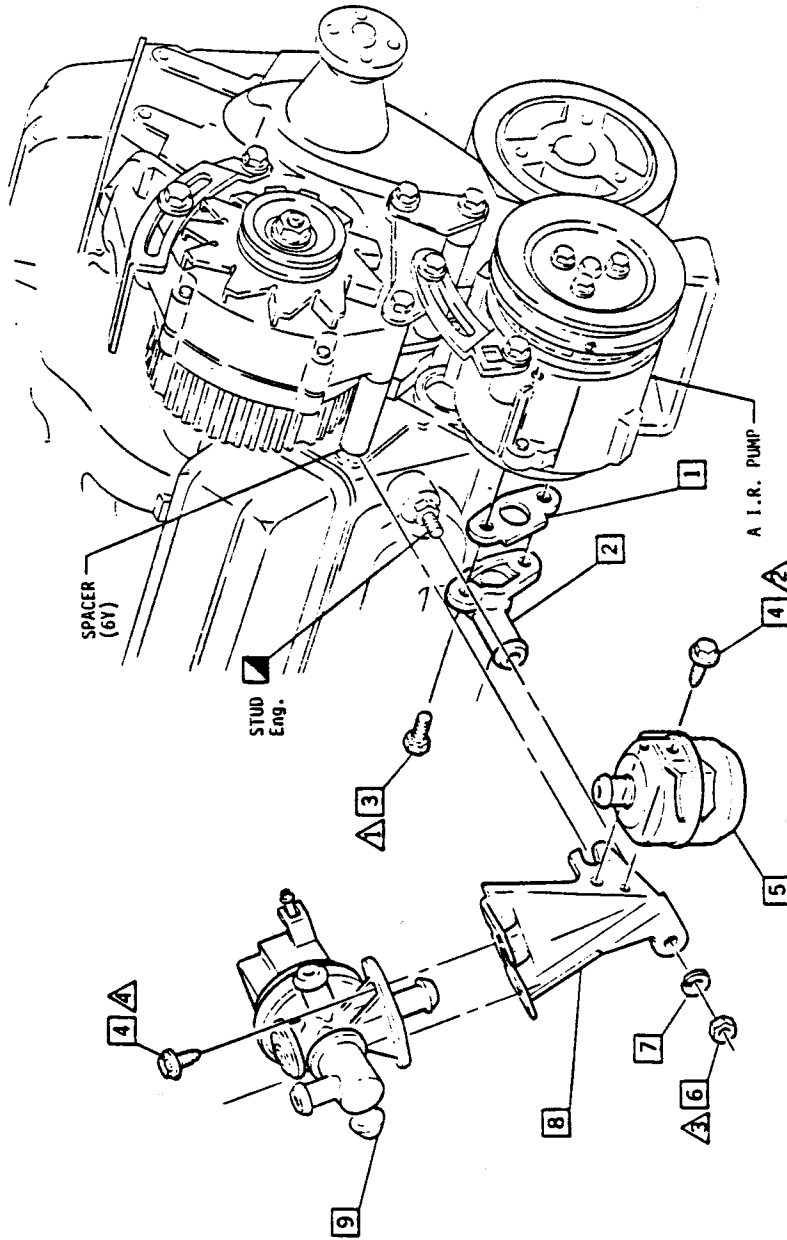


General Motors Corporation
CHEVROLET MOTOR DIVISION

PRODUCT DESCRIPTION MANUAL

ITEM REFERENCE PROCESS MATERIAL EXISTING AS PART OF

- | | | |
|---|----------|-----------------------|
| 1 | 14023103 | SEAL |
| 2 | 14045849 | ADAPTER |
| 3 | 22509249 | BOLT/SCREW |
| 4 | 11500995 | BOLT/SCREW |
| 5 | 14045867 | SILENCER ASM |
| 6 | 9418931 | NUT |
| 7 | 103321 | WASHER |
| 8 | 14045864 | BRACKET |
| 9 | 17074084 | VALVE ASM-ATR CONTROL |



NOTICE
 INFORMATION NOT RELEASED
 Awaiting Layout Approval

DYNAMIC (last) Item HAND (last) Item 9-12 + 24-30 14-20	DATE	SYN	REVISION	AMT	DR	CE	DATE	DIV	1982 "F" CHEV 14036164	
							02/01/82	CHEVROLET	ATR MANAGEMENT VALVE & SILENCER ASM 292	
							DR R KOCH			
							APPR NS			
							APPR			
							APPR			
							APPR			
FULLY ORIGIN, SEALED & NOT STRIPPED										
C X B 0 1 X G										
								REF ECR 92184 NEW 05MR82	UPC 6T	SHEET C3.1

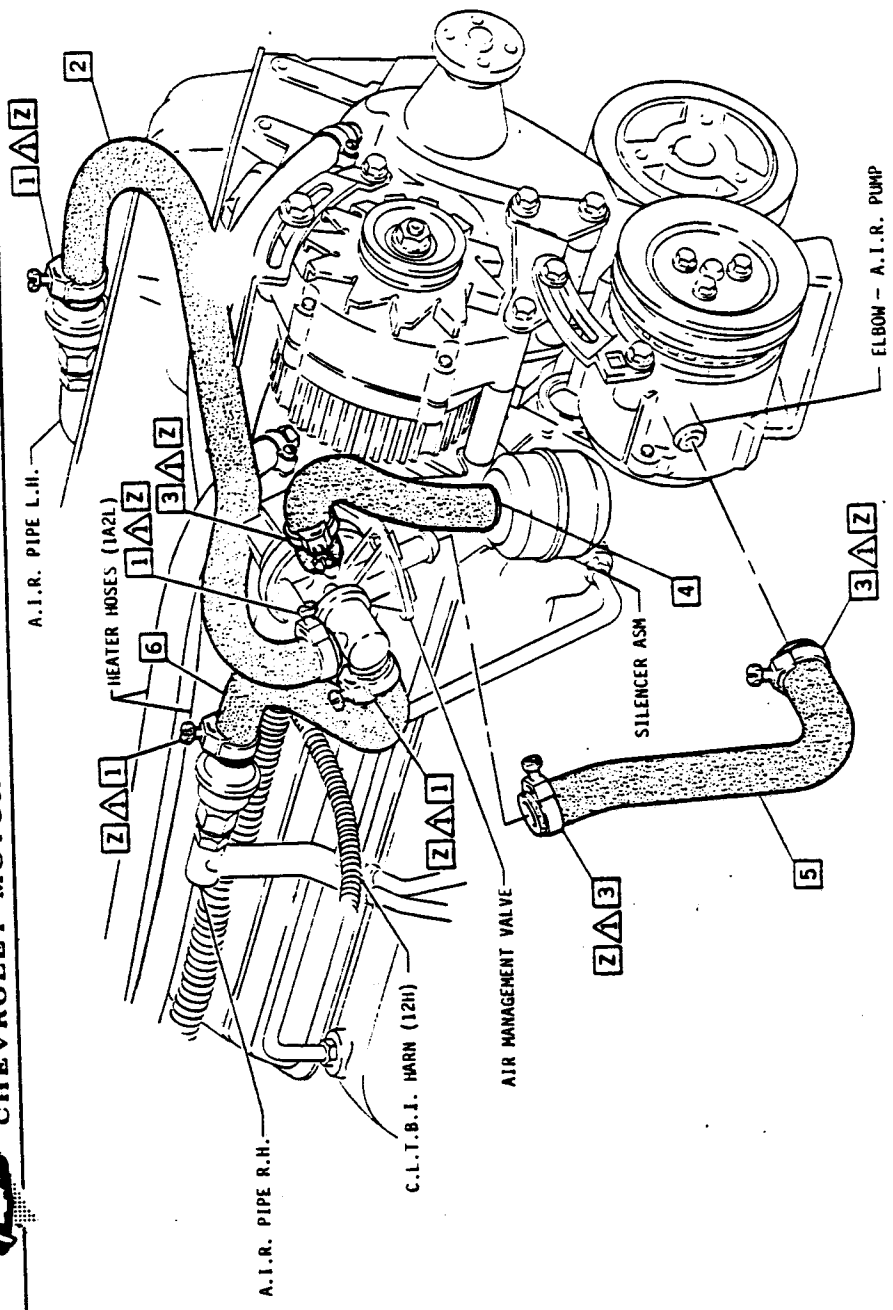


General Motors Corporation
CHEVROLET MOTOR DIVISION

PRODUCT DESCRIPTION MANUAL

ITEM REFERENCE PROCESS MATERIAL TORQUE EXISTING AS PART OF

- 14036075 1 CLAMP
- 14063719 2 HOSE
- 14036076 3 CLAMP
- 14045870 4 HOSE
- 14045871 5 HOSE
- 329668 6 HOSE



NOTICE
 INFORMATION NOT RELEASED
 AWAITING LAYOUT APPROVAL

Z SEE UPC "0A" FOR "HOSE CLAMPING INSTRUCTIONS".

DYNAMIC (Instructions)		DATE	BY	REV	MIN	DR	CE	DATE	DIV	TITLE	UPC	SHEET
1.4-2.0								23MR82	CHEVROLET	1982 "F" CHEV 14036164		295
A.I.R. HOSES & CLAMPS										A.I.R. HOSES & CLAMPS		
FA00 81.G4 84V9										FA00 81.G4 84V9		
FULLY DRAWN, SIGNED & NOT STAMPED												6T
												C6

FCI 101 17-161