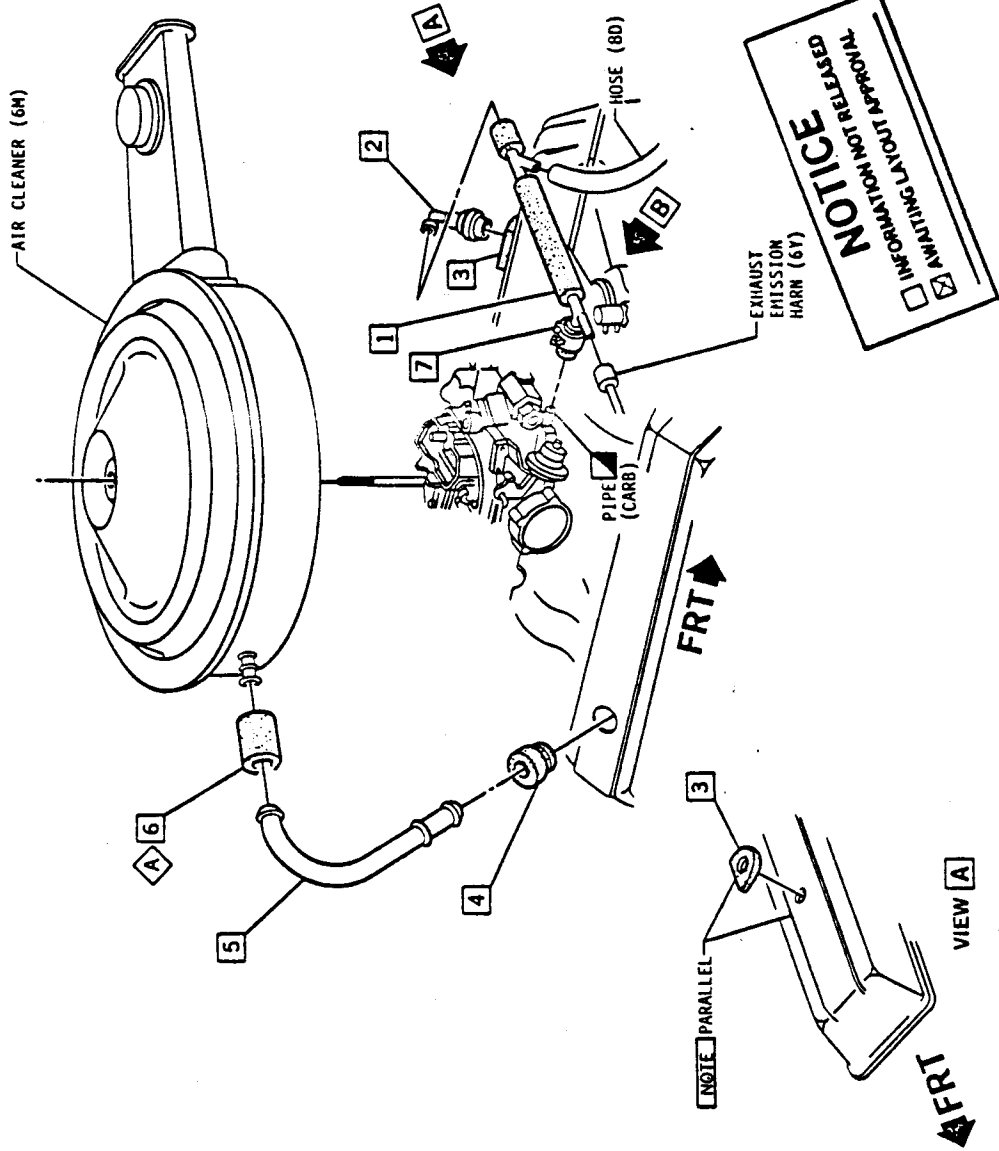


- 1 HOSE ASM 8N81
- 1 8N16
- 2 VALVE ASM
- 3 GROMMET
- 4 GROMMET
- 5 TUBE
- 6 HOSE
- 7 CLAMP
- A RUBBER LUBRICANT-
 APPLY TO HOSE ENDS
 AS NECESSARY.
 APPROX 0.008 L PER JOB.



NOTICE
 INFORMATION NOT RELEASED
 DRAWING LAYOUT APPROX

1982 "F" CHEV 14036164		TITLE		CRANKCASE VENTILATION FA00 BLG4; BLG4 8N16		202		SHEET		C2	
DIV		CHEVROLET		TRF ECR 91284 NEW 04FEB1		IPC		6H			
DATE	BY	CHK	APP	DATE	BY	CHK	APP	DATE	BY	CHK	APP
23FEB82	3	REDRAWN / REDESIGNED		19FEB81	RCTAYLOR						
<input type="checkbox"/> INFORMATION NOT RELEASED <input checked="" type="checkbox"/> DRAWING LAYOUT APPROX											

INITIALLY DRAWN, SKETCHED & NOT STRIPPED
 C X 0 0 1 7 X G