

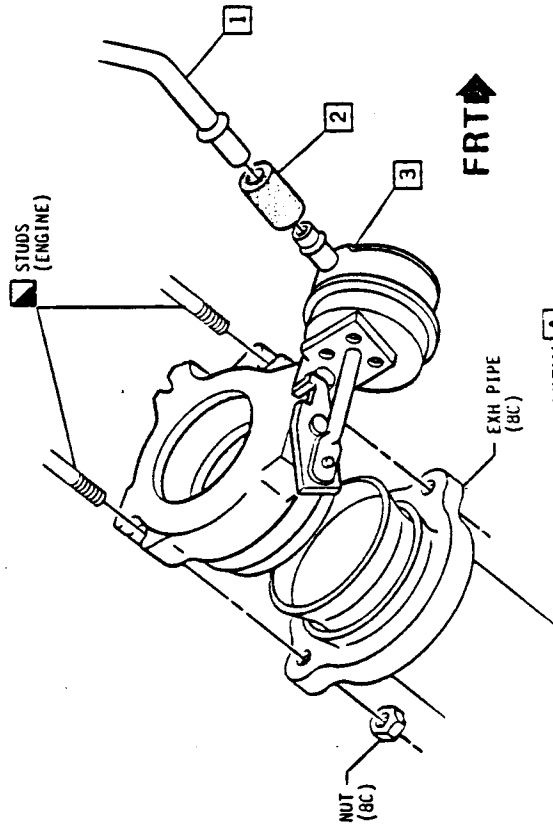
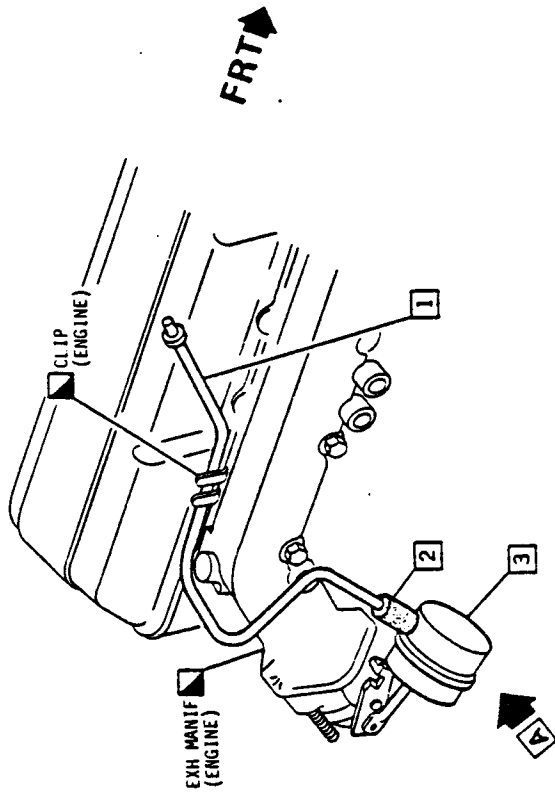


General Motors Corporation
CHEVROLET MOTOR DIVISION

PRODUCT DESCRIPTION MANUAL

ITEM REFERENCE PROCESS MATERIAL TORQUE EXISTING AS PART OF

- ① 14023130 ① PIPE ④
- ② 326560 ② HOSE
- ③ 5233650 ③ ACTUATOR ASM-EFE VALVE



NOTICE
 INFORMATION NOT TO BE RELEASED
 A MAINTENANCE INFORMATION

SYN	DATE	REVISION	AUTH	DE	CC	DATE	BY	DIV	TITLE
1	02/28/81	1403/34 PIPE REMOVED				02/28/81	R HULL	CHEVROLET	1982 "F" CHEV 14036164
2		523350 ACTR-EFE VALV (E) REMOVED							E.F.E. VALVE & ACTUATOR ASM
3		ACTR-EFE VALV (E) REMOVED	94/77	CV			NS		FA00 8L64
4		8 L39 REM	97/73	CV			NS		11-20397 (NS)
5	25/11/81	8 L39 REM							UPC
									6L
									C5
									SHEET

ONLY BUSHES, SEALS & WIRE STOPPED
 C U 0 P G