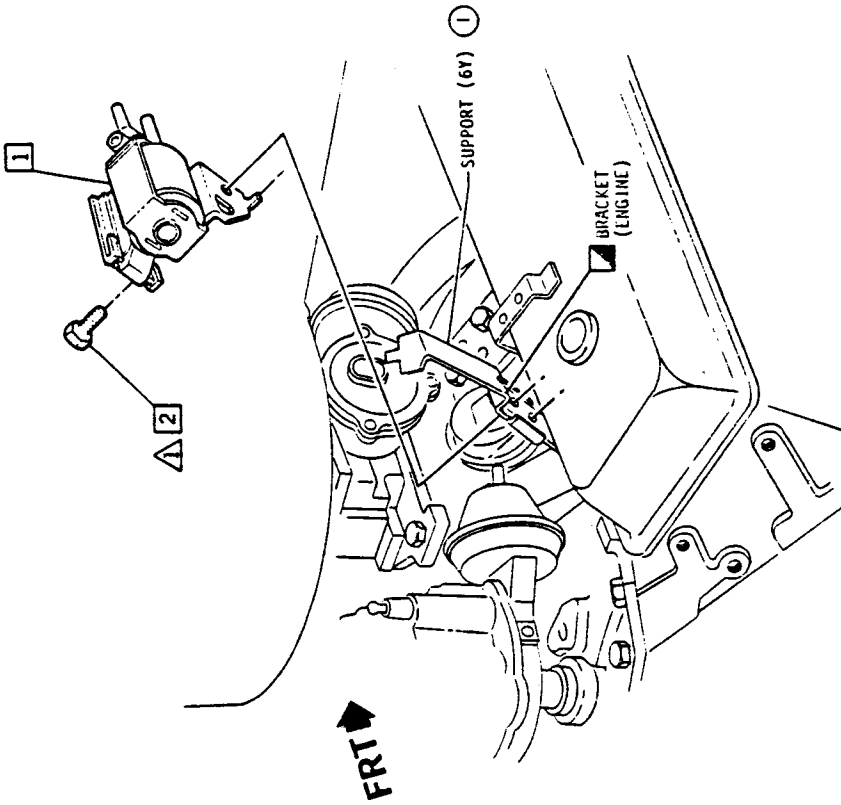


PRODUCT DESCRIPTION MANUAL

ITEM REFERENCE PROCESS MATERIAL TORQUE EXISTING AS PART OF

- 1997554 1 SOLENOID
- 11504361 2 BOLT/SCREW



NOTICE
 INFORMATION NOT RELEASED
 AWAITING LAYOUT APPROVAL

DATE	SYN	REVISION	AUTH	DR	CR	CHK	DATE	DIV	TITLE
03/07	1	"SHYR" (6Y) ADDED	7201	00	00	00	03/07	CHEVROLET	1982 "F" CHEV 14036164
	2	OPTS REM							EGR CONTROL VALVE RELAY SOLENOID
									FA00 & LG8 BHW9 BH81 (2)
									1-23128 (NS) WPC
									6L
									SMIT C8

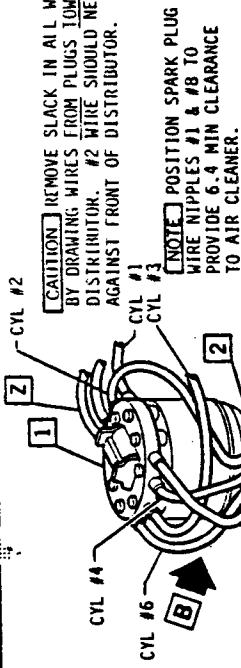
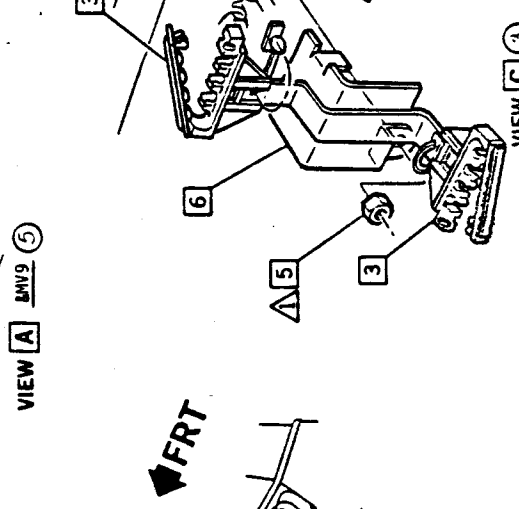
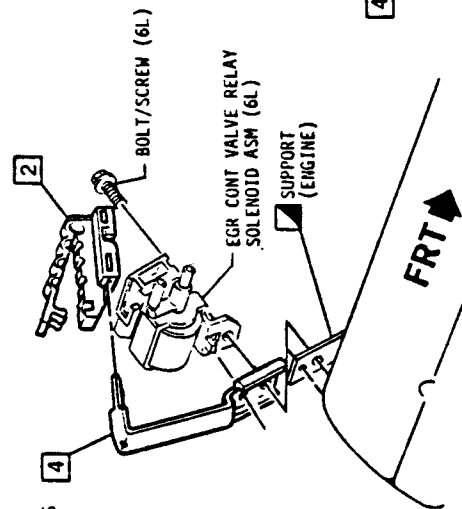
△ FULLY DRAWN, SEALED & NOT STRIPPED
 C X 1 0 0 1 X G

PRODUCT DESCRIPTION MANUAL

General Motors Corporation
CHEVROLET MOTOR DIVISION

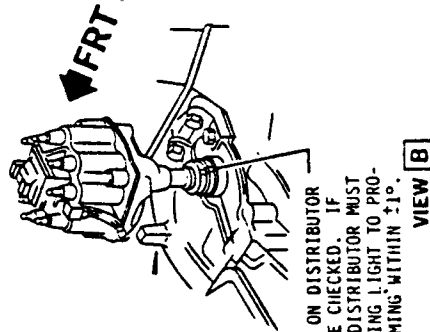
□ ITEM REFERENCE ◇ PROCESS MATERIAL △ TORQUE ■ EXISTING AS PART OF

- ① 112016202 HARNESS ASM
- ② 500014 RETAINER
- ③ 14045859 RETAINER
- ④ 14044601 SUPPORT
- ⑤ 4-488919 NUT
- ⑥ 14045831 SHIELD ASM



NOTE POSITION SPARK PLUG WIRE NIPPLES #1 & #8 TO PROVIDE 6.4 MIN CLEARANCE TO AIR CLEANER.

CAUTION REMOVE SLACK IN ALL WIRES BY DRAWING WIRES FROM PLUGS TOWARD DISTRIBUTOR. #2 WIRE SHOULD NEST AGAINST FRONT OF DISTRIBUTOR.



NOTE ALIGNMENT MARKS ON DISTRIBUTOR & INLET MANIFOLD MUST BE CHECKED. IF MISALIGNED OR MISSING, DISTRIBUTOR MUST BE ADJUSTED USING A TIMING LIGHT TO PROVIDE CORRECT INITIAL TIMING WITHIN ±1°.

- Y INSERT PUSH-PLUG AFTER RETAINER 3 IS IN PLACE.
- Z FOR REMAINDER OF ROUTING TO LEFT SIDE SEE SPARK PLUG WIRE ROUTING LEFT SIDE (6Y).

DYNAMIC (INDICATED)		26-40	DATE		17 JAN 81	DIV		1982 "F" CHEV 14036164	
△	△	△	△	△	△	△	△	SPARK PLUG WIRE ROUTING RIGHT SIDE 308	
△	△	△	△	△	△	△	△	FAOD #L64 (4)	
△	△	△	△	△	△	△	△	L(S)	
FULLY DRIVEN, SEALED & NOT STRIPPED								UPC	
C	X	B	B	O	P	X	G	6Y	C10

REV	DATE	BY	DESCRIPTION
1	1471	R.C. TAYLOR	PART A.D. ADDED
2	1493	R.C. TAYLOR	ITEMS 5 & 6 ADDED
3	1713	R.C. TAYLOR	VIEW C REV
4			2139 REM
5			VIEW A REVISED
6			VIEW D ADDED

CHEVROLET
R1EGR 91284
NEW 02JAB1