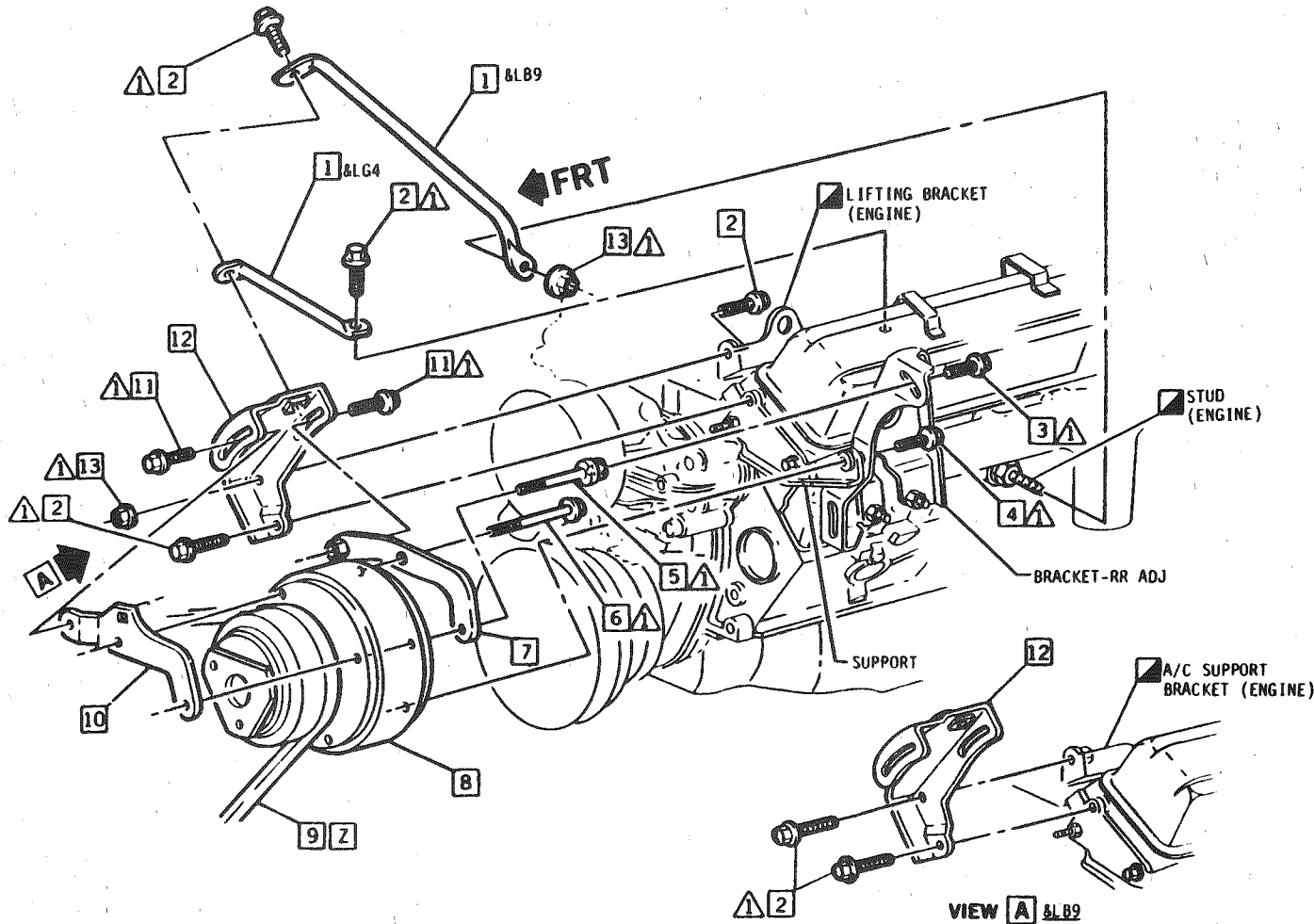


□ ITEM REFERENCE ◊ PROCESS MATERIAL ▲ TORQUE ▣ EXISTING AS PART OF



- 458528 1 BRACE & LG4
- 14082307 1 & LB9
- 9440169 2 BOLT/SCREW
- 11509023 3 BOLT/SCREW
- 11508212 4 BOLT/SCREW
- 14081239 5 BOLT/SCREW
- 11504967 6 BOLT/SCREW
- 14081275 7 BRACKET
- 1131490 8 COMPRESSOR ASM & LB9
- 1131500 8 & LG4
- 14085956 9 BELT & LG4 & M39
- 14066274 9 & LB9
- 14081276 9 & LG4 & MDB
- 14081274 10 BRACKET
- 11508974 11 BOLT/SCREW
- 14026184 12 BRACKET
- 14057004 13 NUT

▣ FOR BELT ROUTING AND TENSIONING SEE UPC 6Z.

VIEW A & LB9

SYNCHRONIC (metal) N-m	HAND (map) N-m	DATE	SYM	REVISION	AUTH	DR	CK	ASM CHG	APP	DATE	DIV	TITLE
▲ 26-40										14NOB4	CHEVROLET	1986 F PASSENGER 14089402
										DR R EDGAR		COMPRESSOR MOUNTING
										CK J McKeown AM		FA00 & LB9/LG4 & C60/C67
										APPR S		
										APPR		
										APPR		
										APPR		
										REF ECA 41600		1L-32885 (S)
										C/O 06N084		L-32936 (S)
												UPC 1A2G
												SHEET C2

▲ FULLY DRIVEN, SLATED & NOT STRIPPED

H C X N O P