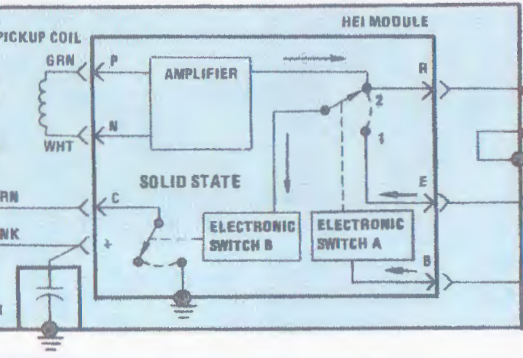


SEE GROUND DISTRIBUTION



ACHOMETER FILTER

ELECTRONIC SPARK TIMING (EST) DISTRIBUTOR DOES NOT USE MECHANICAL OR VACUUM SPARK ADVANCE

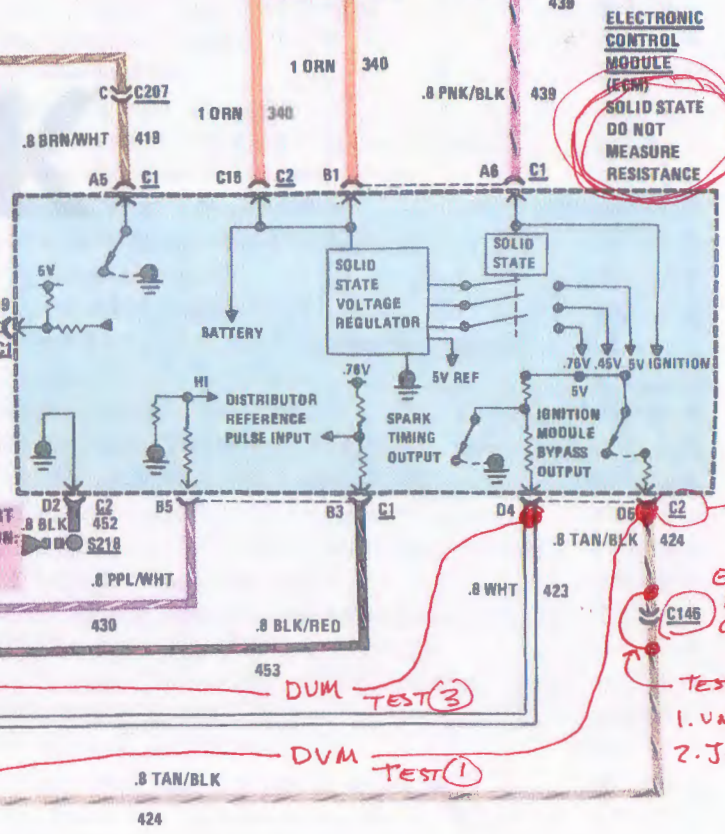


ASSEMBLY LINE DIAGNOSTIC LINK (ALDL) CONNECTOR

SEE GROUND DISTRIBUTION

SEE MULTI-PORT FUEL INJECTION: ENGINE DATA SENSORS

CONTROL MODULE (ECM) SOLID STATE DO NOT MEASURE RESISTANCE



UNPLUG

DVM TEST (3)  
DVM TEST (1)

ESC BYPASS CONNECTOR

TEST (2)  
1. VOLTAGE  
2. JUMPER

CAMARO