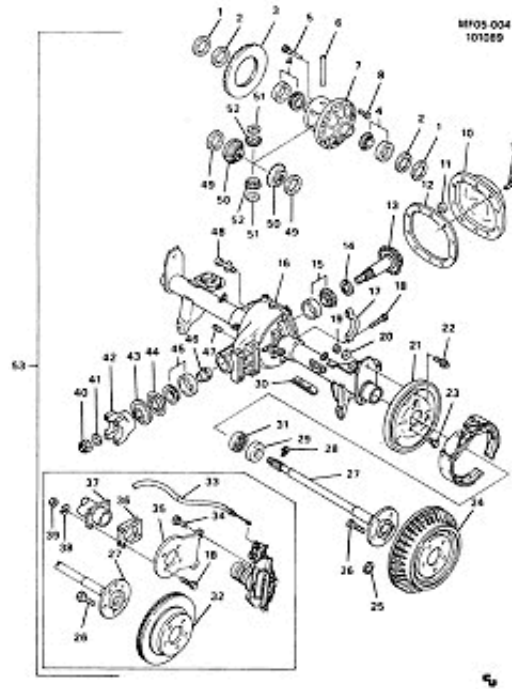


### 1990-91 "F" AXLE/REAR (7.625 RING GEAR)

Click on the image for a close-up (Note: images are large)



MF05 004  
1990-91 "F" AXLE/REAR (7.625 RING GEAR)

5-8

MF05-004

1990-91 \*F\* AXLE/REAR (7.625 RING GEAR)

1.	5.537	SHIM KIT, D/H Ring (040-034)	3995791
	5.537	SHIM KIT, D/H Ring (046-050)	3995792
	5.537	SHIM KIT, D/H Ring (082-096)	3997088
	5.537	SHIM KIT, D/H Ring (028-032)	3997089
	5.537	SHIM KIT, D/H Ring (044-078)	3997090
	5.537	SHIM KIT, D/H Ring (072-076)	3997090
	5.537	SHIM KIT, D/H Ring (080-086)	3997091
	5.537	SHIM KIT, D/H Ring (088-094)	3997092
	5.537	SHIM KIT, D/H Ring (096-102)	3997092
2.	5.537	SPACER, D/H Sl Ring (Part of 16)	3775009
3.	N.S.	GEAR, D/H Ring	
4.	5.536	BEARING, D/H Sl	3425035
5.	5.516	SCREW, D/H Pin, SH Flt (Part of 52)	14091195
6.	5.517	SHAFT, D/H Pin, Gr (Part of 13,52)	23607686
7.	5.510	CASE, D/H (W/GU2, GU4, J41, Exc G80)	28010241
	5.510	CASE, D/H (W/GU2, GU4, J41, Exc G80)	28009698
	5.510	CASE, D/H (W/GU2, GU6, J41, Exc G80)	28009697
	5.510	CASE, D/H (W/GU6, GU8, J41, Exc G80)	28010240
8.	5.531	BOLT, Hex Gr Gr (Part of 12)	14098813
9.	5.505	BOLT, Hex Wt Hd (5/16x1.8x7/8)	10005535
10.	5.528	COVER, D/H Cam (incl 1)	28010703
11.	5.505	MAGNET, D/H Cam Chip (Part of 10)(H 105)	8605630
	5.509	GASKET, D/H Cam	28018661
12.	5.505	GEAR KIT, Ring & Pin (W/GU6, J65, G80)	28015193
13.	5.508	GEAR KIT, Ring & Pin (W/GU6, J65, G80)	28015183
	5.529	GEAR KIT, Ring & Pin (W/GU4)(incl 8,40)	28008632
	5.527	GEAR KIT, Ring & Pin (W/GU2, GU4, GU6, MO6, M1, J41, Exc G80) Incl 8, 49, 52	28009645
	5.529	GEAR KIT, Ring & Pin (W/GU6, MO6, J41, Exc G80)(incl 8,40)	14089177
	5.529	GEAR KIT, Ring & Pin (W/GU2, GU6, MO6, J41, Exc G80) (incl 46)	10049338
	5.523	GEAR KIT, Ring & Pin (W/GU6, M1, J41, Exc G80)(incl 8,40)	14089178
14.	5.460	SHIM KIT, Cr Pin Gr Ring (020-024)	507055
	5.460	SHIM KIT, Cr Pin Gr Ring (025-029)	509092
	5.460	SHIM KIT, Cr Pin Gr Ring (030-034)	503223
	5.460	SHIM KIT, Cr Pin Gr Ring (035-039)	509094
	5.460	SHIM KIT, Cr Pin Gr Ring (040-045)	503035
	5.460	SHIM KIT, Cr Pin Gr Ring (048-050)	509792
15.	5.464	BEARING, Pin Gr Fr	22510442
16.	5.367	HOUSING, W/Tube (Exc J65)(incl 2)	14091324
17.	N.S.	CAP, D/H Cam Ring	
18.	5.000	BOLT, Hex (A37x1.4x2.250)	454947
19.	5.383	NUT, Temp Arm (M16x2)(6.011)	11500740
20.	5.812	WASHER, Anc Pin to Mt Pin	509097
21.	5.001	PLATE, Slc	10013525
22.	5.110	SCREW KIT, Bk Auto Adj RH	18012268
	5.110	SCREW KIT, Bk Auto Adj LH	18012264
23.	5.022	SCREW, Hex Wt Hd (8-36x1.8)	503350
24.	5.029	DRUM, Bk (Alum)	1256486
	5.029	DRUM, Bk (Cast Iron)	1249146
25.	5.021	RETAINER, Push-On Bolt (M12x1.75)	11629737
26.	5.912	BOLT, Wt (M12x1.75x3)	2520476
27.	5.420	SHAFT (W/G6)	26018029
	5.420	SHAFT (Exc J65)	26015068
28.	5.822	LOCK, SHF	344171
29.	5.822	SEAL, Wt Ring	604631
30.	7.242	PLATE, Sub Chl Anc	10015234
31.	5.055	BEARING, Wht	7491795
32.	5.809	ROTOR	15047702
33.	4.779	CABLE, Pk Bk RH (W/241, J41)	10138676
	4.779	CABLE, Pk Bk LH (W/241, J42)	10138678
	4.779	CABLE, Pk Bk (W/260)	10164125
34.	5.502	BOLT, Hts (M12x1.75x2.1)	10097602
35.	5.001	PLATE, Bk Cpr M/LH	10138654
	5.001	PLATE, Bk Cpr M/LH	10138653
36.	5.387	SHIM, Tube Flg (D.3 I)	28013917
	5.387	SHIM, Tube Flg (1.5 I)	28013918
	5.387	SHIM, Tube Flg (2.3 I)	28013919
	5.387	SHIM, Tube Flg (3.0 I)	28013920
37.	5.387	HOUSING (W/G6)	28016263
38.	5.991	WASHER, Spr Lk (7/16x25/32X7/8) Znf	9489413
39.	5.916	NUT, Hex (5/8x2)	235354
40.	5.556	NUT, Prep SHF Pin Gr Ring	1280823

5-9

MF05-004

1990-91 \*F\* AXLE/REAR (7.625 RING GEAR)

41.	5.556	WASHER, Prep SHF Pin Gr Flg	517000
42.	5.545	YUKE, 8 Sp	7813070
43.	5.545	FLANGE, Flg	7827670
44.	5.469	SEAL, Prep SHF Pin Gr Flg	502671
45.	5.447	BEARING, Pin Gr Frt	9411734
46.	5.489	SPACER, Pin Gr Ring (Part of 18)	9789792
47.	5.971	PLUG, Headless Sq Socket (1.3")	38822486
48.	5.387	VENTILATOR	1338917
49.	5.643	WASHER, D/H Sl Gr Thr (Part of 13,52)	344185
50.	N.S.	GEAR, D/H Sl (Part of 52)	
51.	N.S.	WASHER, D/H Pin Thr (Part of 52)	
52.	5.527	GEAR KIT, W/Pin, D/H Sl (Exc G60)(incl 5, 8, 40, 6 Sp Part of 13)	14091434
53.	5.386	AXLE (5tmp SHT)(W/GU2, J41, G80)	26003313
	5.386	AXLE (5tmp SHP)(W/GU4, J41, G80)	26003314
	5.386	AXLE (5tmp SHH)(W/GU4, J42, G80)	26010692
	5.386	AXLE (5tmp 2PM)(W/GU6, J65, G80)	26012892
	5.386	AXLE (5tmp 2PW)(W/GU6, J65, G80)	26012553
	5.386	AXLE (5tmp SHJ)(W/GU6, J41)(Exc G80)	26016633
	5.386	AXLE (5tmp SHK)(W/GU4, J41)(Exc G80)	26009316
	5.386	AXLE (5tmp SHP)(W/GU2, J41)(Exc G80)	26009311
	5.386	AXLE (W/GU6, J41)(Exc G80)	26009312

5-10

Jump to...

Diagrams & Part Number Tables Copyright © General Motors Corporation. All Rights Reserved. Reproduced by Permission.