

4A-6 PROPELLER SHAFT

NOTE:
RUN-OUT SHOULD NOT
EXCEED 1mm (.040 IN.)

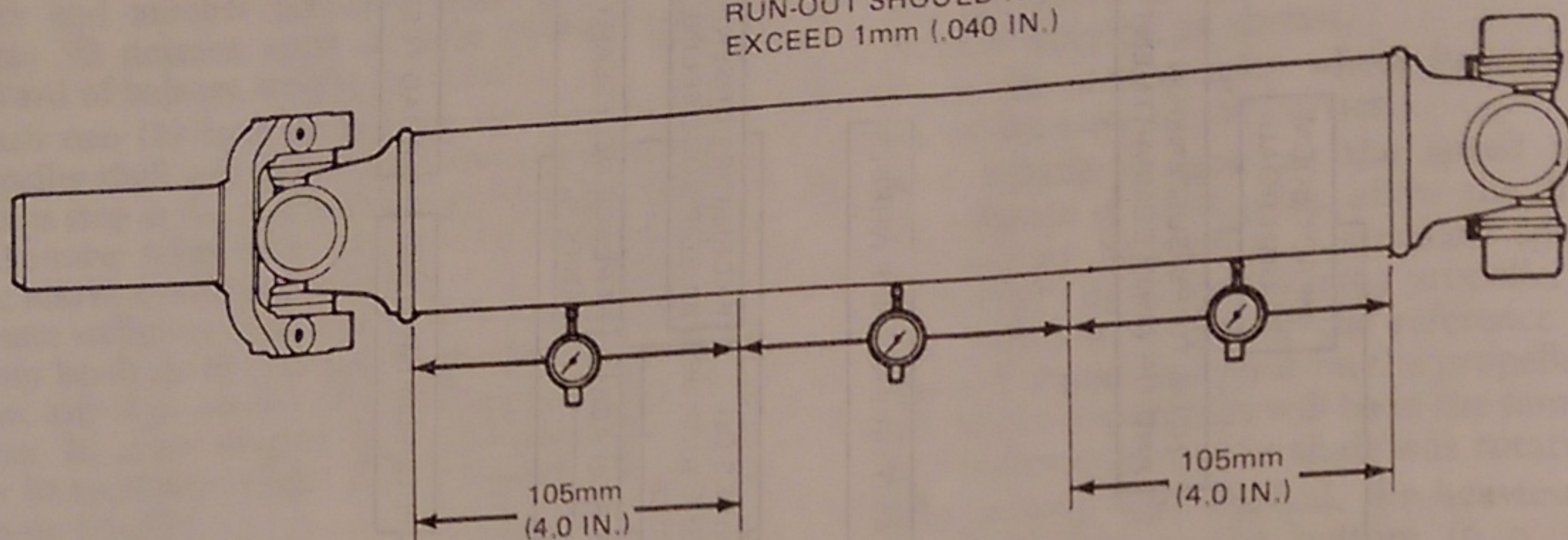


Figure 4A-4 Propeller Shaft Run-Out Measurement

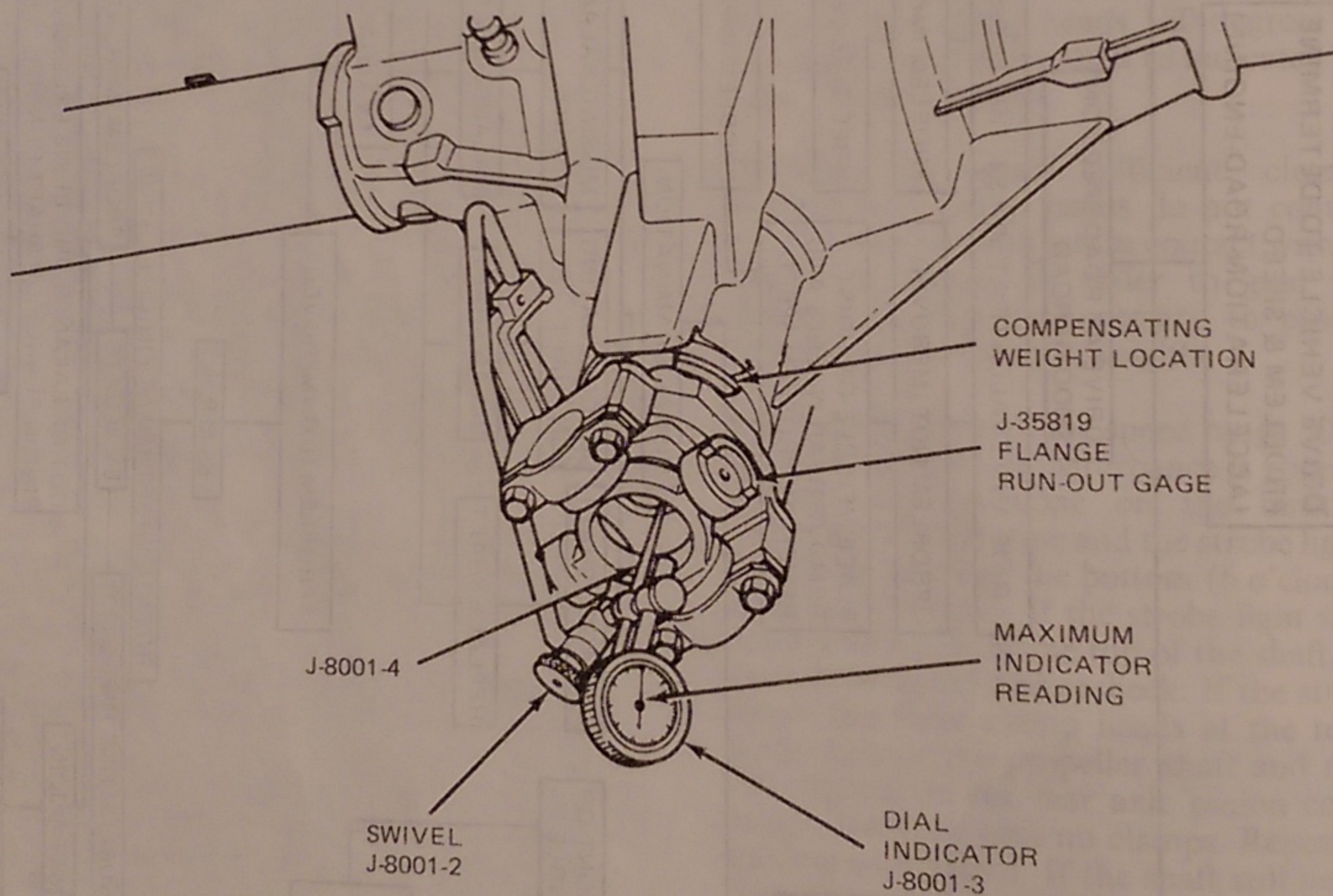


Figure 4A-5 Companion Flange Run-Out Measurement

Replace the propeller shaft if three hose clamps do not correct problem.

8. Install wheels and road test vehicle for final check of balance.
Vibration felt in the vehicle on the hoist may not show up during a road test.