

ALL F SERIES		
AXLE TUBE TO FRAME HEIGHT*	UNIVERSAL JOINT ANGLES	
	FRONT	REAR
119 mm	1.1°	1.5°

\* WEIGHT MAY HAVE TO BE ADDED TO VEHICLE TO REACH THIS DIMENSION.

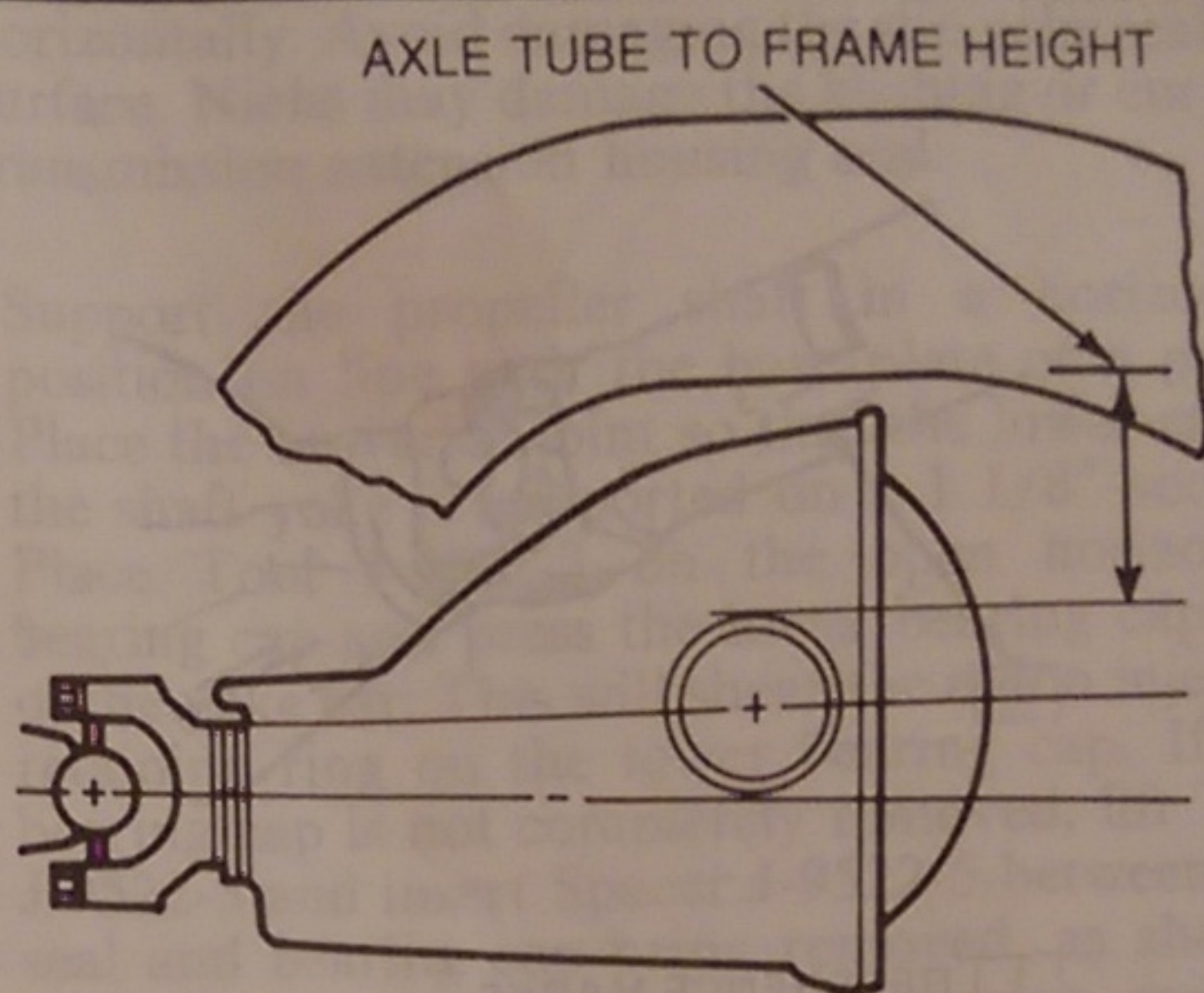


Figure 4A-6 Propeller Shaft Angles/Frame Height-F Models

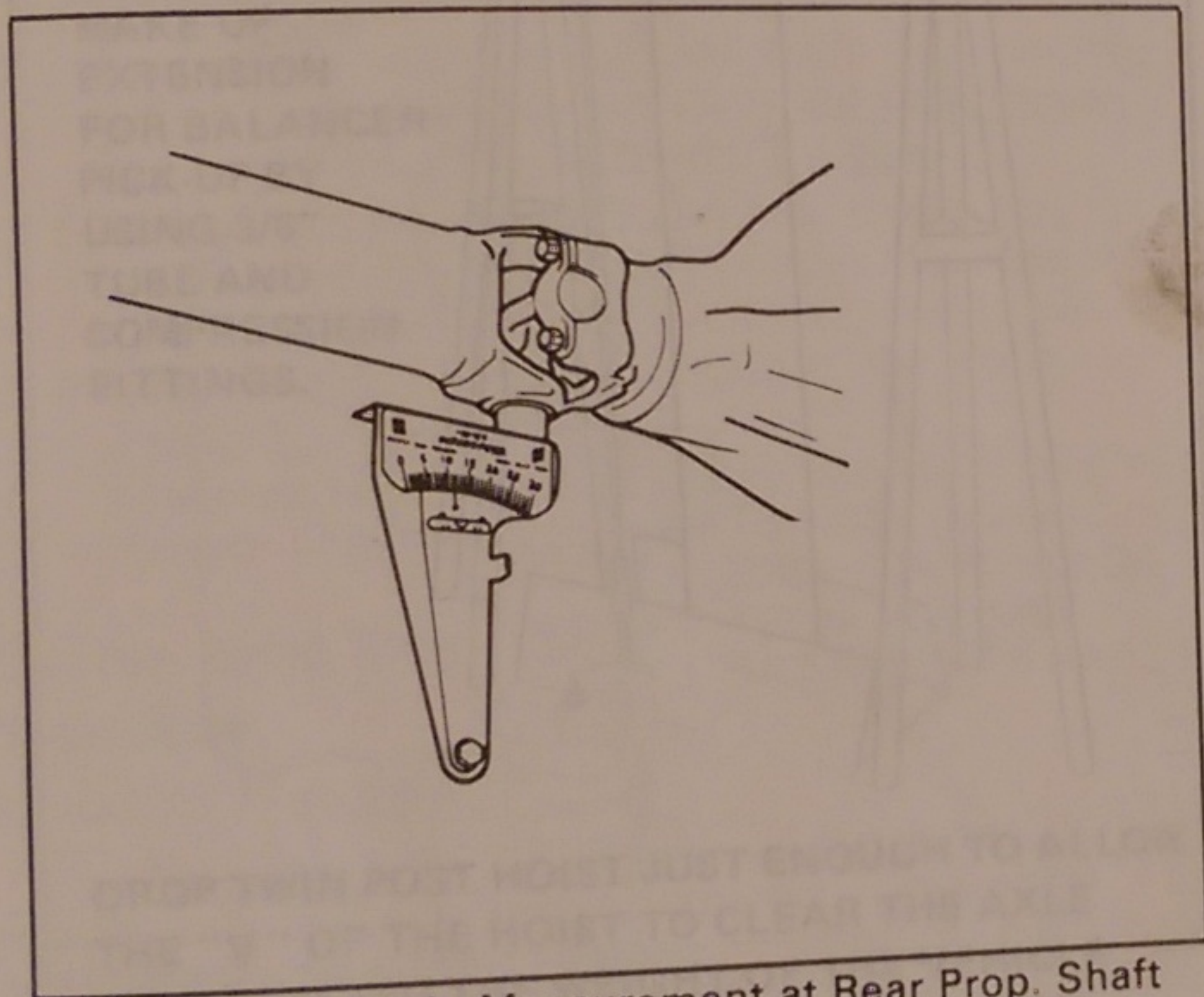


Figure 4A-7 Angle Measurement at Rear Prop. Shaft Brg. Cap

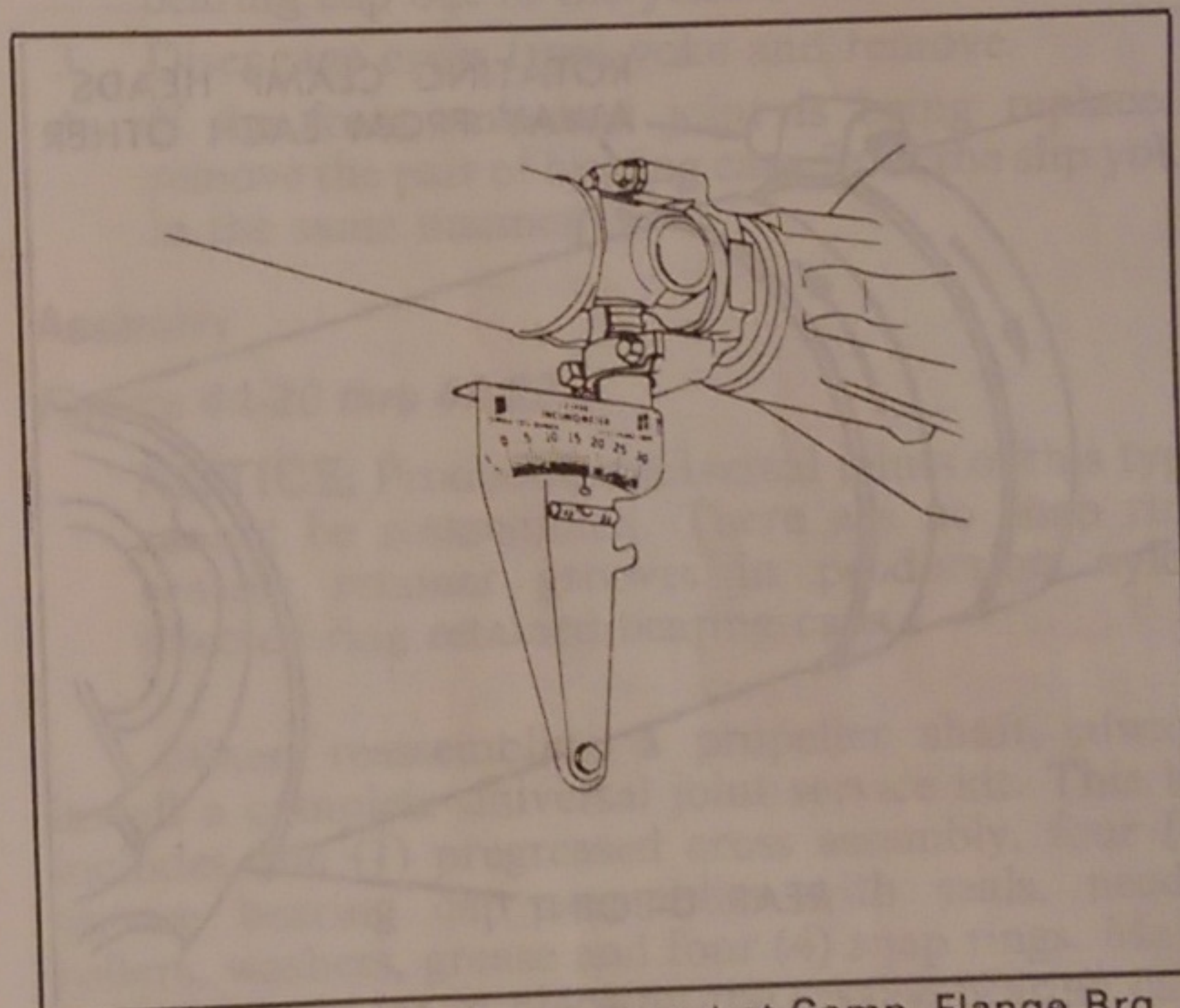


Figure 4A-8 Angle Measurement at Comp. Flange Brg. Cap

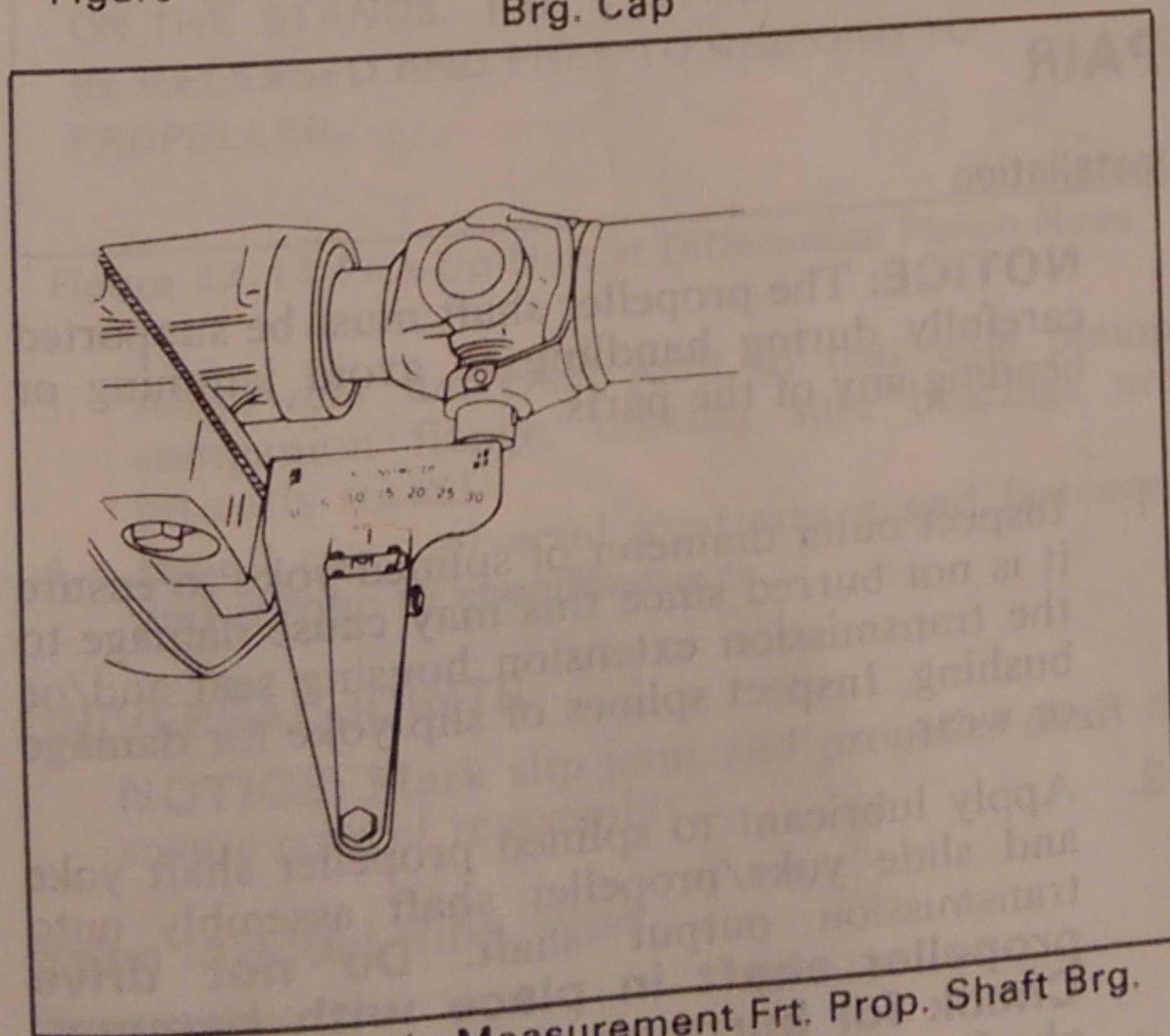


Figure 4A-9 Angle Measurement Frt. Prop. Shaft Brg. Cap

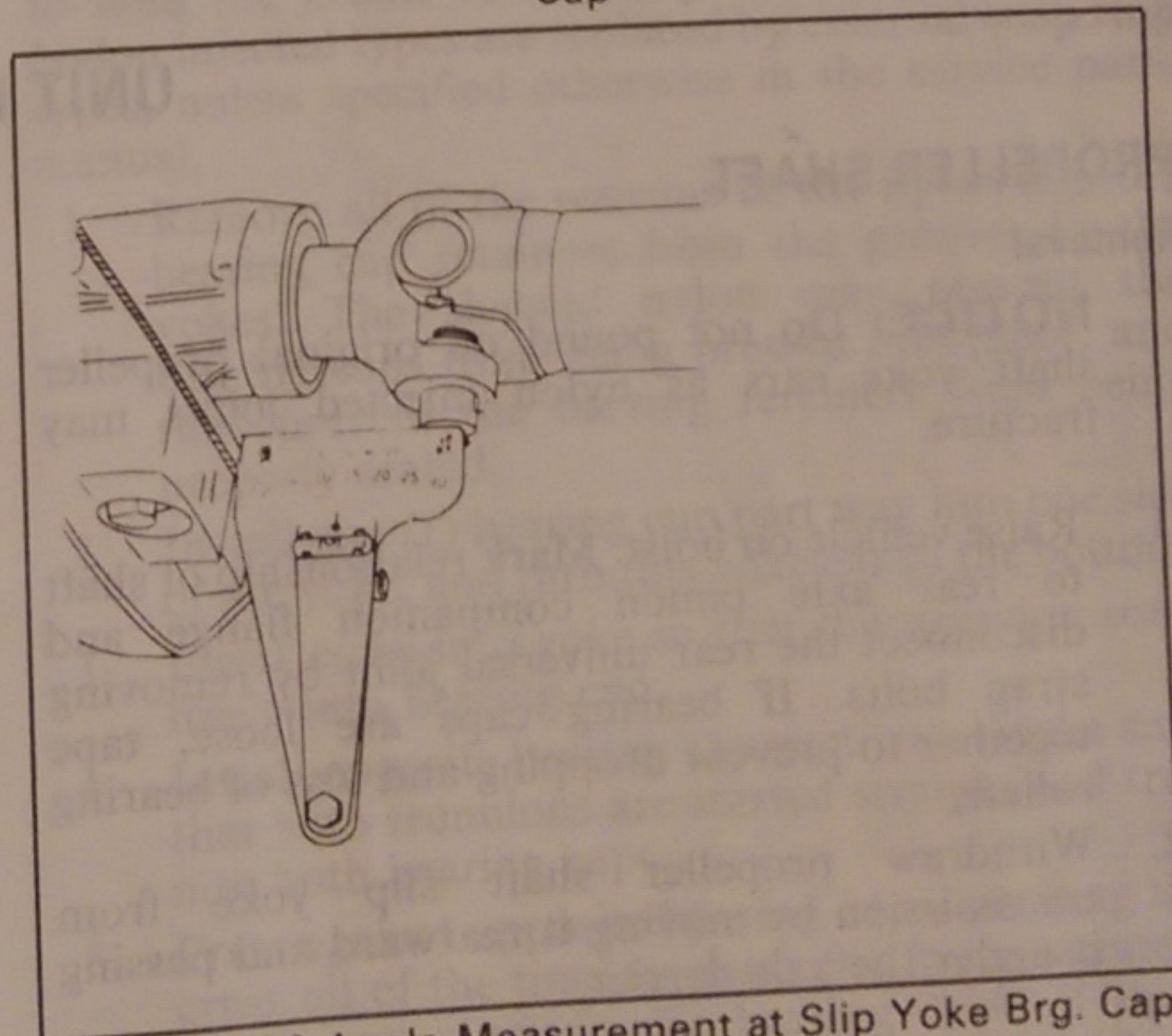


Figure 4A-10 Angle Measurement at Slip Yoke Brg. Cap