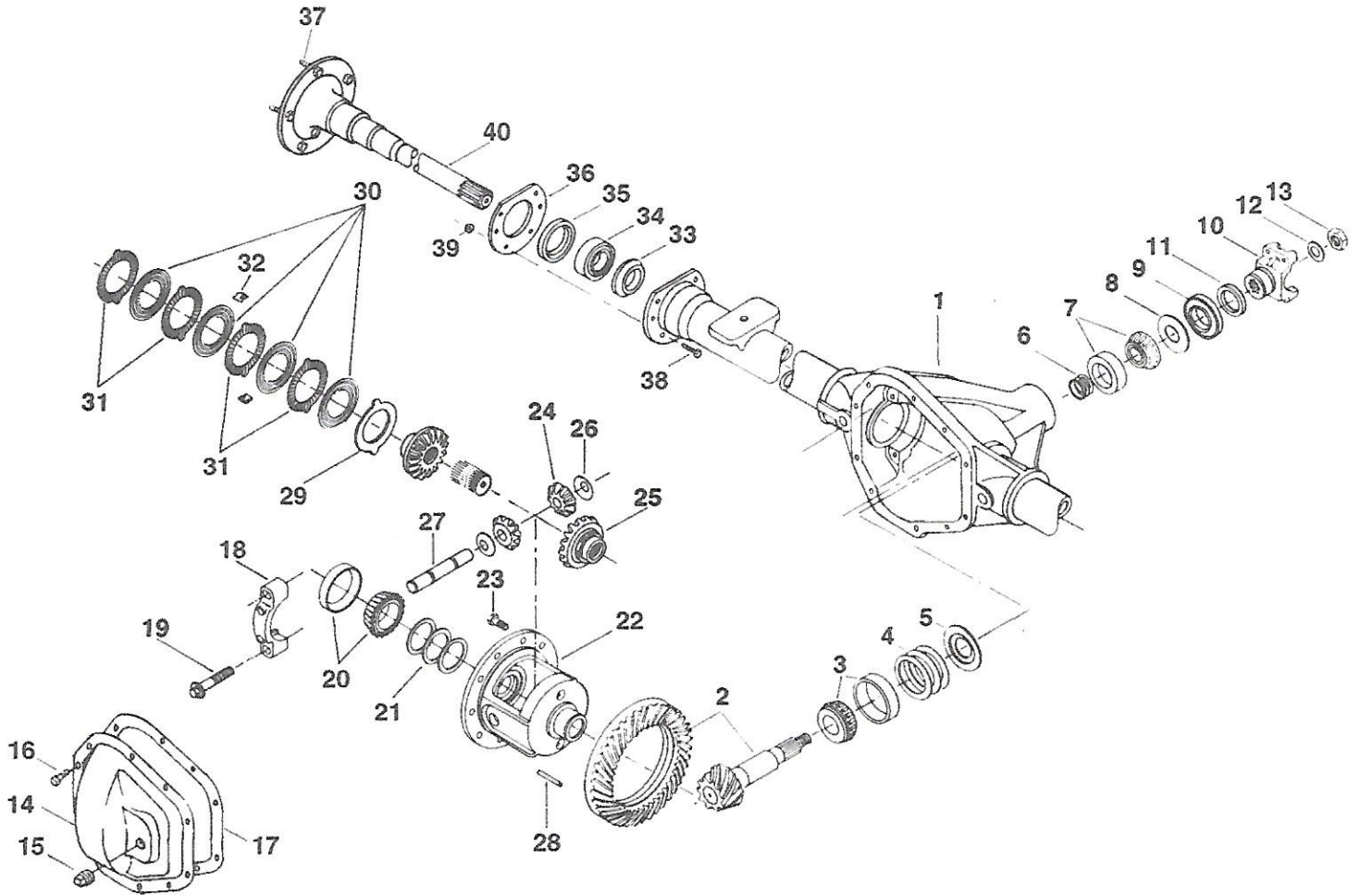


# GM / Chevrolet 44 /216 Rear Axles for F-Car Exploded View



# GM / Chevrolet 44 /216 Rear Axles for F-Car Parts Listing

ITEM NO.	PART NUMBER	DESCRIPTION	ITEM NO.	PART NUMBER	DESCRIPTION
1	— <sup>(3)</sup>	Housing – Axle Service	19	48632-1	Bolt – Differential Bearing Cap
2	— <sup>(1)</sup>	Drive Pinion & Gear Assembly	20	706032X	KIT – Differential Bearing
3	706031X	KIT – Inner Pinion Bearing	21	701005X	PKG – Diff & Pinion Bearing Shim
4	—	Inner Pinion Bearing Shims (see shim packages)	22	— <sup>(4)</sup>	Case – Differential (t/l)
5	—	Baffle – Pinion Bearing	23	41221	Bolt – Drive Gear (qty 10)
6	—	Outer Pinion Bearing Shims (see shim packages)	24	41193	Pinion – Differential (t/l)
	701067X	PKG – Diff & Pinion Bearing Shim (inc items 4, 6, 21)	25	46618	Gear – Differential (t/l)
	701066X	PKG – Pinion Bearing Shim (inc items 4, 6)	26	13338-3	Thrustwasher – Diff Pinion (t/l)
7	706030X	KIT – Outer Pinion Bearing	27	39194	Shaft – Differential
8	41012	Slinger – Outer Pinion Bearing	28	13449	Lock – Differential Shaft
9	— <sup>(2)</sup>	Seal – Pinion Oil		706352X	KIT – Differential Plate & Disc (t/l) (inc items 29, 30, 31, 32)
10	— <sup>(2)</sup>	End Yoke Assembly (inc 11)	29	— <sup>(4)</sup>	Plate – Differential Dished
11	41498	Slinger – End Yoke	30	— <sup>(4)</sup>	Disc – Differential
12	30186	Washer – Pinion Nut	31	— <sup>(4)</sup>	Plate – Differential
13	30185	Pinion Nut	32	40835	Clip – Differential Clutch Retainer
	707109X	KIT – Carrier Cover (inc items 14, 15, 16)		706989X	KIT – Unit Bearing and Seal (inc items 33, 34, 35, 36)
14	42960-2	Carrier Cover	33	36121	Retainer Ring – Wheel Bearing
15	43180	Plug – Carrier Cover	34	565909	Wheel Bearing Assembly
16	34279	Bolt – Carrier Cover	35	35938	Seal – Outboard Shaft
17	38615	RTV Silicone Sealant	36	41181	Oil Seal Retainer
18	— <sup>(3)</sup>	Differential Bearing Cap	37	40544	Wheel Bolt
			38	— <sup>(3)</sup>	Bolt – Brake Mounting
			39	— <sup>(3)</sup>	Nut – Brake Mounting
			40	— <sup>(1)</sup>	Shaft – Axle Flange Drive

(1) See "Bill of Material Table" on next page

(2) See "Variable Parts Table" below

(3) Contact Vehicle Manufacturer

(4) Not Sold Separately

## Variable Parts Listing

Kits & Parts - Use With All Applications							
Description & Item Number (Refer to "Exploded View" at the front of this section)				Bills of Material			
				605218	605558		
1	Seal – Pinion Oil	9	39118	41455			
2	End Yoke Assembly (inc 11)	10	2-4-3581-1X <sup>(10)</sup>	2-4-8091X			

(10) Bearing strap kit used with end yoke.

# GM / Chevrolet 44 /216 Rear Axles for F-Car

## Bill of Material Table

Axle			Axle Kits				Shaft & Joint Assy.	
Bill of Material	Diff. Type	Ratio	Ring Gear & Pinion Kit <sup>(7)</sup>	Differential			Right Hand Shaft Assy.	Left Hand Shaft Assy.
				Case Assy. Kit <sup>(8)</sup>	Case Kit	Inner Parts Kit		
<b>1984-85 F-Car</b>								
605218-1	Trac Lok	3.31	706990-1X	707132X	707133X	707134X	72384-2X	72384-1X
605218-2	Trac Lok	4.09	706990-2X	707155X	707156X	707134X	72384-2X	72384-1X
605218-3	Trac Lok	3.92	706990-3X	707155X	707156X	707134X	72384-2X	72384-1X
<b>1992 1/2-94 F-Car</b>								
605558-1	Trac Lok	3.54	72950-5X <sup>(9)</sup>	707132X	707133X	707134X	74555-1X	74555-2X

- (7) See Ring Gear & Pinion Kits in XGI Catalog for ratio & tooth combinations.
- (8) See Differential Case Assy Kits in XGI Catalog for spline data & ratios.
- (9) Kit includes ring gear, pinion, washer, nut and drive gear screws.