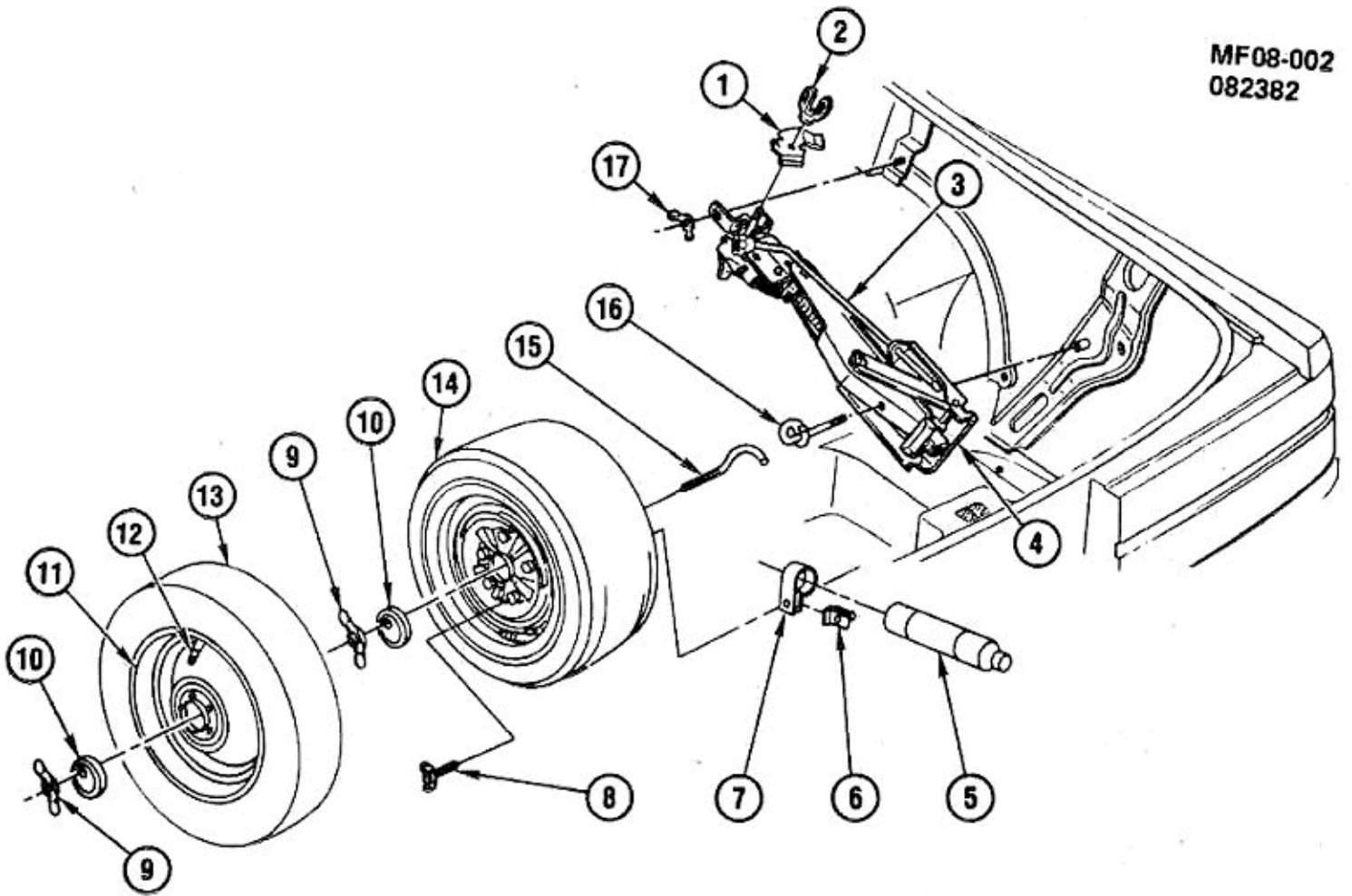


MF08-002
082382



MF08-002

1982-86 "F" SPARE WHEEL STOWAGE & JACK PARTS

1.	8.820	RETAINER,	14036367
2.	8.920	NUT, Wing (M6x1)	
3.	8.821	WRENCH, Whl (19.56MM)	14036400
4.	8.820	JACK,	14089447
5.	5.880	INFLATOR, Stowaway Spare	9590678
6.	8.921	NUT, Spring (M6x1)	
7.	5.880	STRAP, Tire Infl	14010530
8.	5.880	BOLT, Tire Infl Strp	14010528
9.	7.633	NUT, Spa Whl Stow	14071288
10.	7.632	PLATE, Spa Whl Stow (1982)	14010533
	7.632	ADAPTER, Spare Whl Stow (1983-86)	14030631
11.	5.803	WHEEL, Compact Spa (15x4)(Stamp RT,TB)	9590925
12.	5.875	VALVE, Tire	274288
13.	N.S.	TIRE,	
14.	N.S.	TIRE & WHEEL ASM,	
15.	7.632	BOLT, Whl Carr Cla	14085677
16.	8.820	BOLT, Jk Stow	
17.	8.820	NUT, Wing Jk Stow(*1)	14074740

NOTE 1: See catalog for additional part numbers and usage.