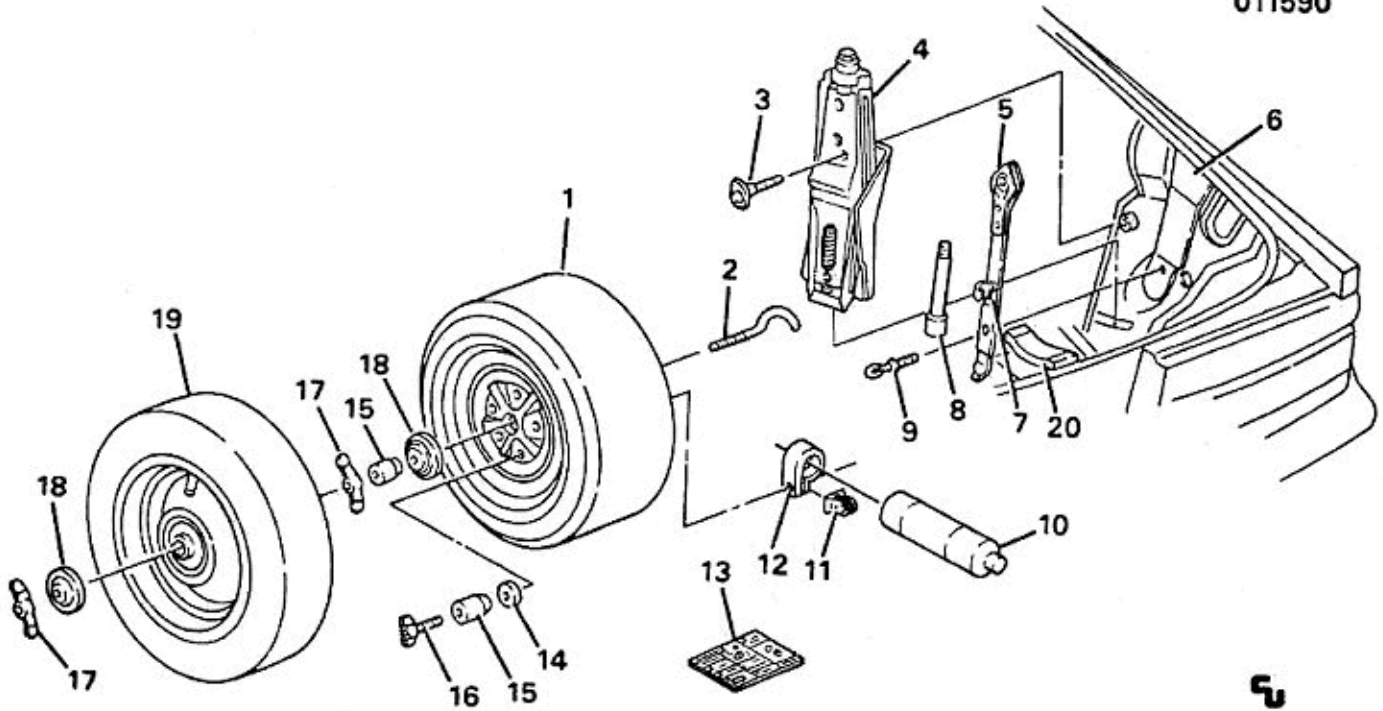


MF08-007  
011590



MF08-007

**1987-91 "F" SPARE WHEEL STORAGE & JACK PARTS**

1.	N.S.	TIRE & WHEEL (W/N65,N64)			
2.	7.632	BOLT, Spa Whl Stow	10042601	12.	5.880 STRAP, Tire Infl
3.	8.820	BOLT (M8x1.25-66 Thd)	14105410	13.	8.808 LABEL, Usage (1987-1st
4.	8.820	JACK (*1)	14092121		Design) (*2)
	8.808	LABEL, Caution	14094435		14092155
5.	8.820	HANDLE	10078349		8.808 LABEL, Usage (1987-2nd
6.	8.820	INSULATOR, Hdl	10078353		Design) (1988-91) (*2)
7.	8.821	CLIP, Wrench	14092529		10141451
8.	8.821	SOCKET, Wrench Ext	10119950	14.	8.921 NUT, Push-On (M6x1)
9.	8.820	BOLT (M8x1.25x-69 Thd)	10042600	15.	5.880 ADAPTER, Tire Infl Strap Bolt
10.	5.880	INFLATOR (F67) (1987)			(7.632)
		(1988 W/N64, Exc 1LE)			10039021
		(1988-91 F87 W/N65)	9590678	16.	8.820 BOLT (32mm Long) (W/N65)
	5.880	INFLATOR (1988 W/N64,			(5.880)
		1LE) (1989-91 F87 W/N64)	9590679		14010528
11.	8.921	NUT, U-Shape (M6x1)	22538012		5.880 BOLT, Tire Infl Strap (W/N64)
					10039020
				17.	7.633 NUT, Spa Whl Stow
				18.	7.632 ADAPTER
				19.	5.803 WHEEL, Compact (15x4)
					(Stamped TB, RT) (Exc N64,
					N65)
				20.	7.633 SPACER
					14090308

NOTE 1: Components Serviced.

NOTE 2: 2nd Design 1987-Storage instructions have section added that reads "move socket to left of ratchet approximately 2 inches." 1st Design 1987-Does not contain those instructions.